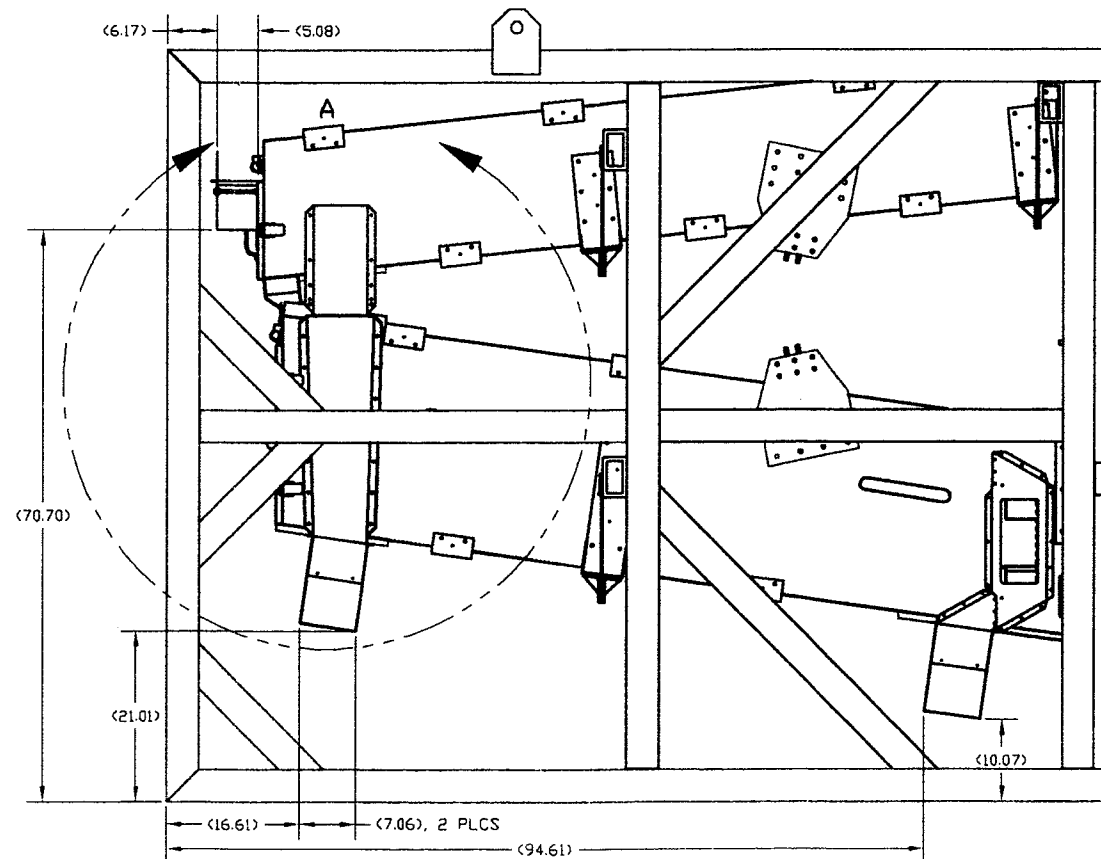
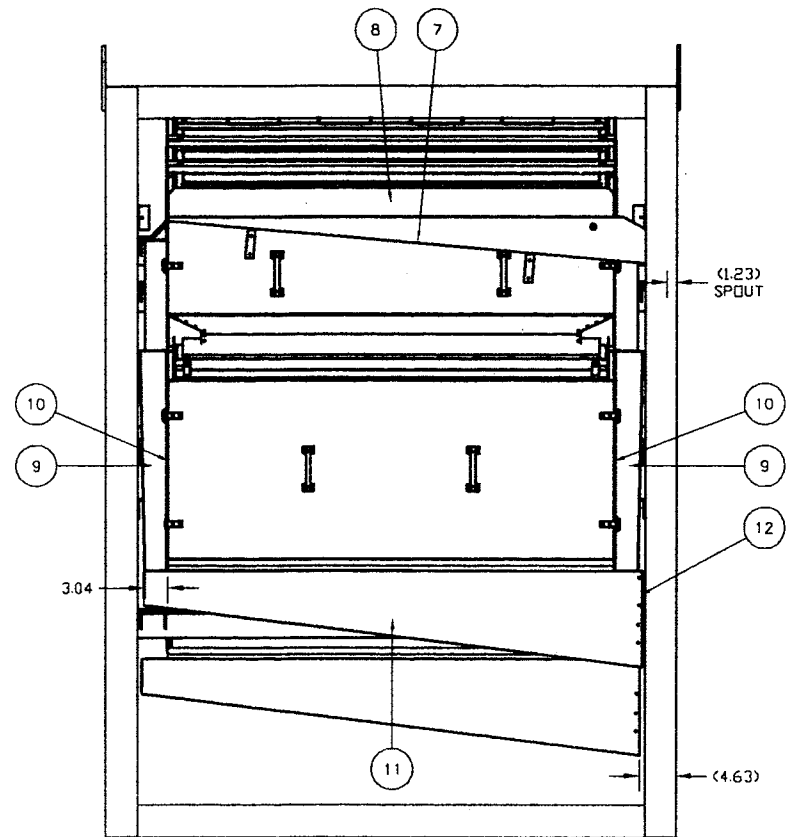
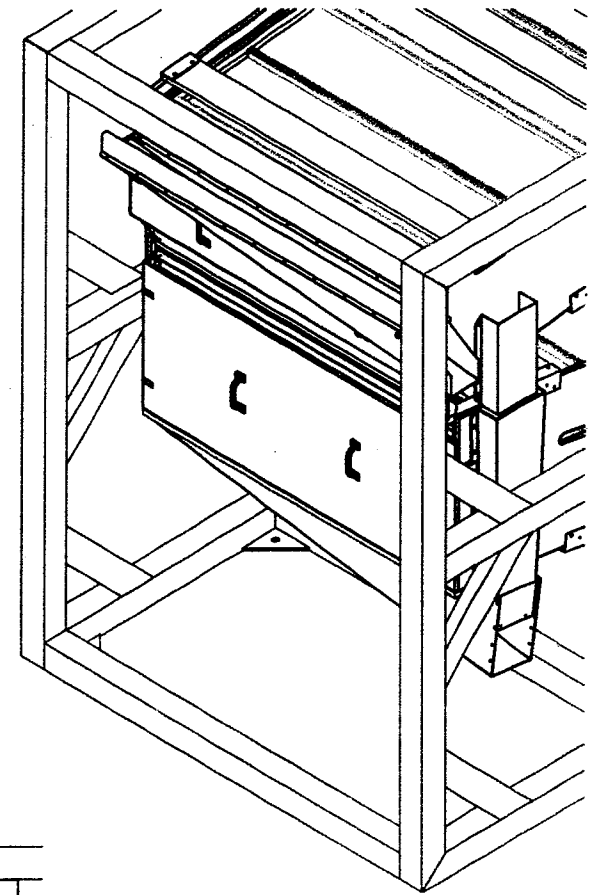
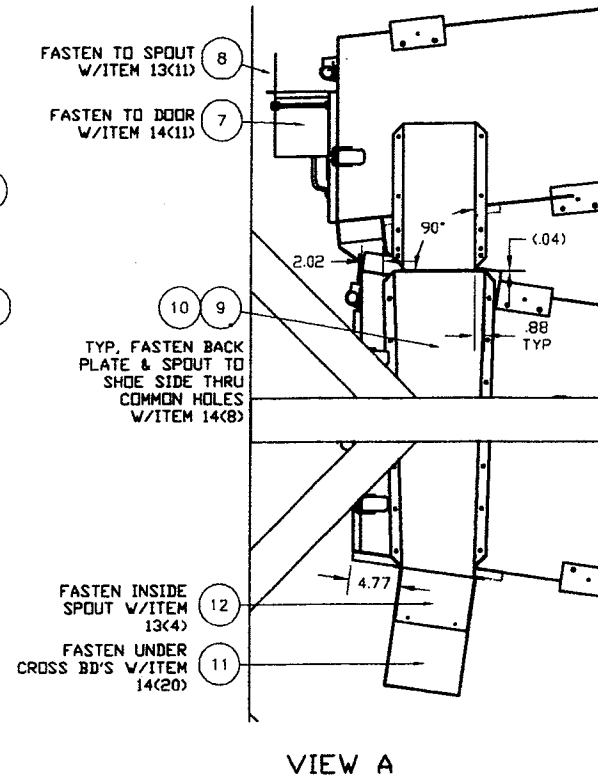
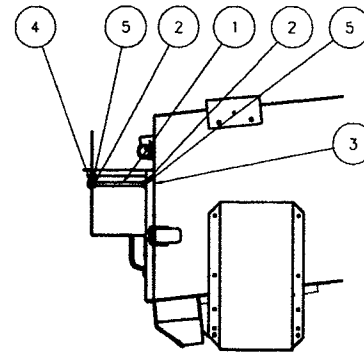


DOOR DETAIL, TOP SHOE  
 1/8 SCALE



7 F61001258

Item	PART NUMBER	Qty	DESCRIPTION
15	F90000001	2	HANDLE, S14810
14	F83453402	67	SCW, SMS #8 X 3/4" PAN HD
13	F83200011	23	RMET-POP SDS64 .188X.125-.250
12	F69681263	1	END, DISCHARGE SPOUT 768-968
11	F69681262	1	SPOUT, DISCHARGE, 768-968
10	F61001354	2	BACK PLATE, SIDE SPOUT II, BTM SHOE 586
9	F61001353	2	COVER, SIDE SPOUT II, BTM SHOE, 586
8	F61001214	1	DEFLECTOR, SPOUT 1360/1386
7	F61001267	1	SPOUT, DISCHARGE 1360/1386
6	F61001008	2	SUPPORT, DISCHARGE SPOUT 1360/1386
5	86443800	2	WASHER, LOCK 5/16" PLT
4	66403800	1	WASHER, FLAT 5/16" PLT
3	66383800	1	T-NUT, 5/16-18
2	66083800	2	NUT, HEX 5/16-18 PLT
1	60143860	1	BOLT, TAP HX HD 5/16-18 x 6.00"

NOTES:  
 1: DO NOT SCALE FROM DRAWING.  
 2: SEE F61001045 FOR COMMON DISCHARGE PACKAGE, CONQUEST 586.  
 3: RIGHT HAND DISCHARGE SHOWN. ASSEMBLE SPOUTS F61001207 & F69681262 OPPOSITE FOR LEFT HAND DISCHARGE. SEE SALES ORDER.

CAD  
 NO MANUAL  
 CHANGES

TO DIMENSIONS  
 (EXCEPT AS  
 NOTED)

SCALE: 3/32  
 FINISH: NONE  
 DECIMAL: ± .001  
 FRACTIONAL: ± 1/32  
 ANGULAR: ± 1/2

DATE: 6/8/01  
 DRAWING TITLE: SPLIT DISCHARGE PACKAGE, CONQUEST 586  
 DRAWING NO.: F61001055  
 SHEET: 1 of 1

APPROVED BY: X.X.X.