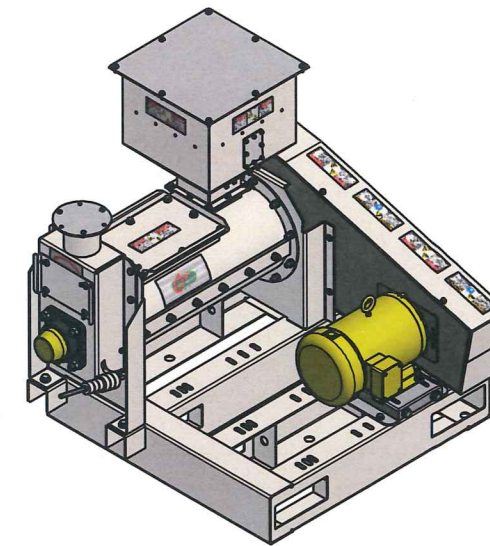
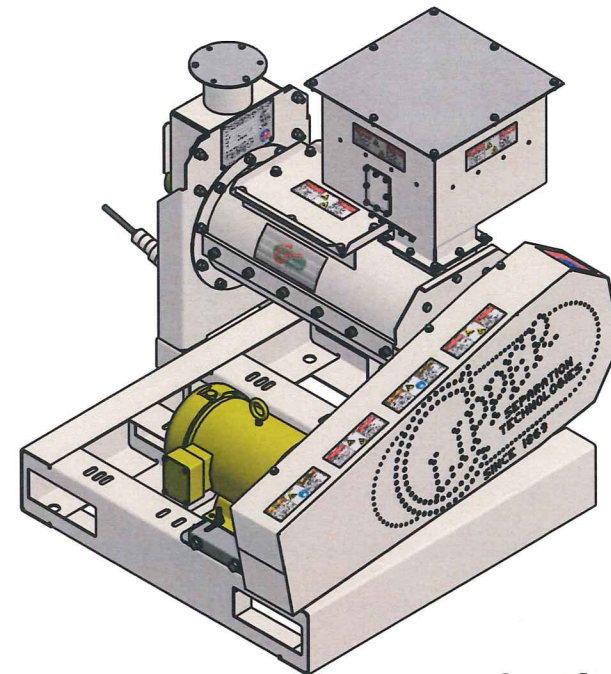
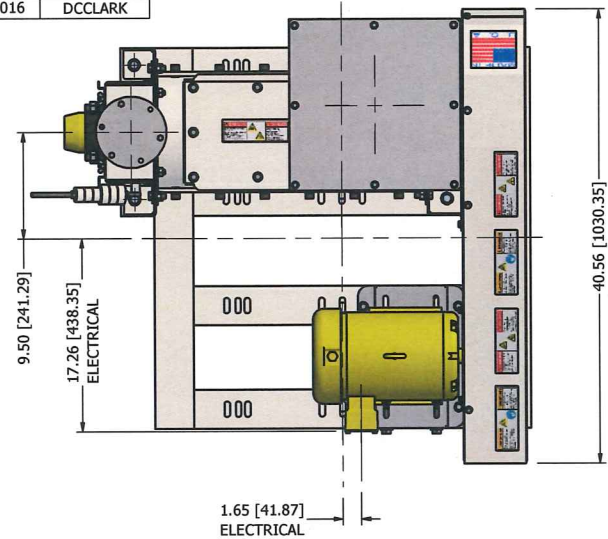
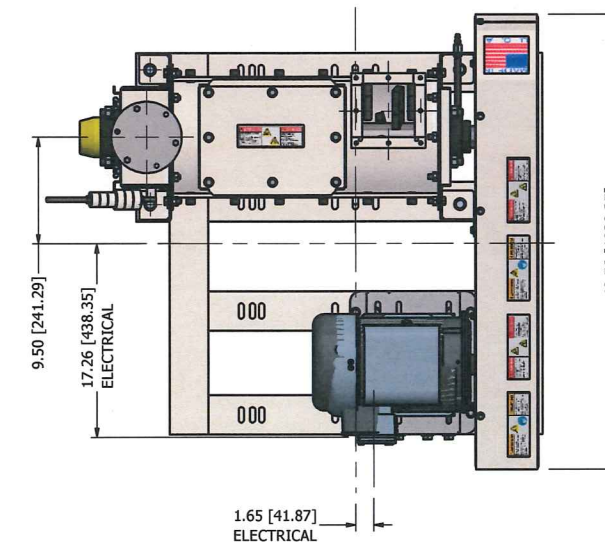
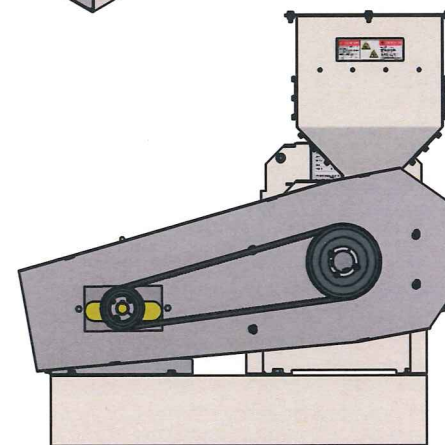
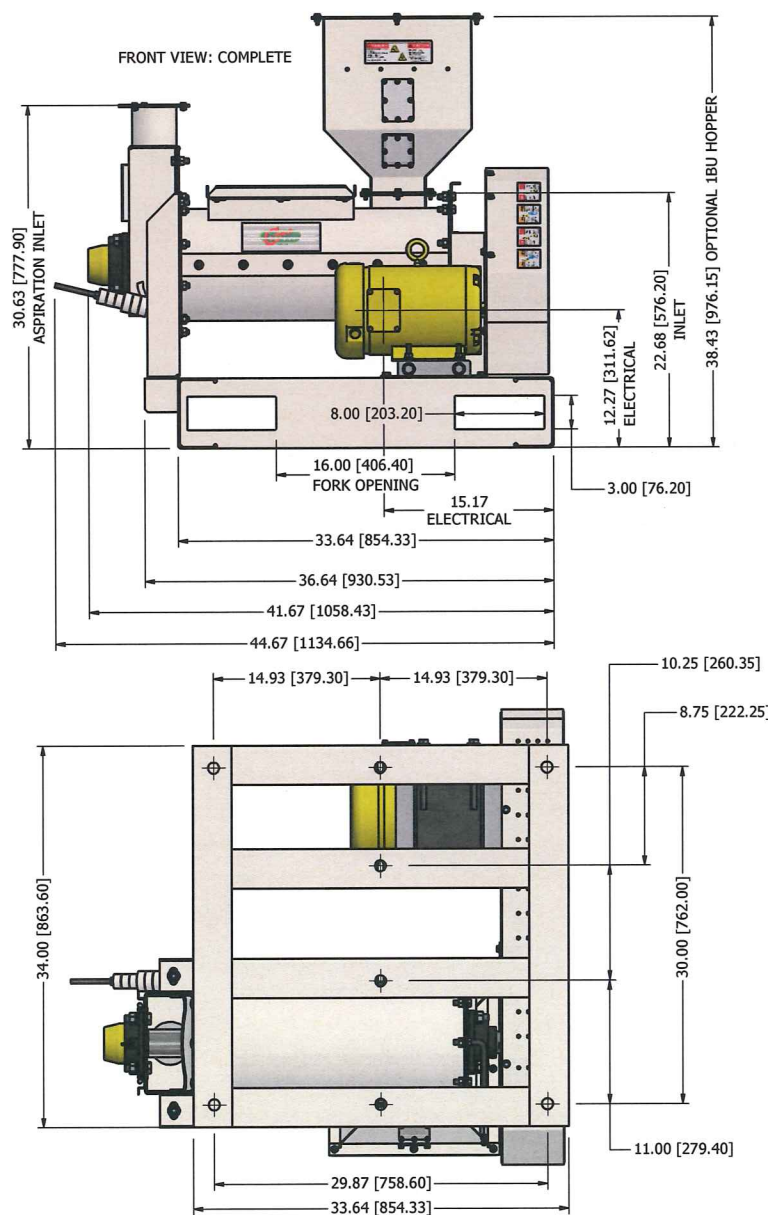
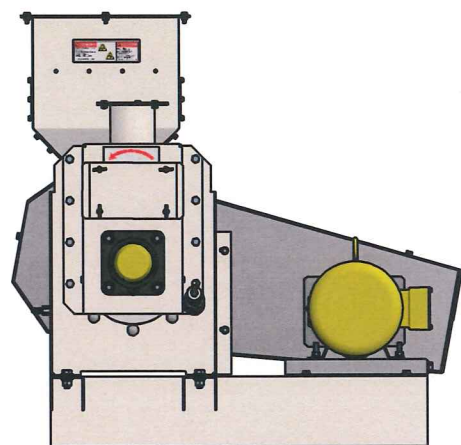


REVISION HISTORY				
REV	ECN	DESCRIPTION	DATE	APPROVED
A	F160182	RELEASED	11/22/2016	DCCLARK



TOP RIGHT ISOMETRIC VIEW: DOORS SHOWN OPEN



- NOTES:
- DO NOT SCALE FROM DRAWING.
 - ALTERNATIVE DIMENSIONS [X.X] IN MILLIMETERS.
 - TORQUE 5/8-11 BOLTS TO 135 FT-LBS / 183.0 N-m / 18.7 Kg-m. (4 BOLT FLANGE BEARINGS)
 - TORQUE 1/2-13 X 1.5 SHCS 75 FT LBS 10.36 KG FORCE METER 101.6 N - M (SIDE HAMMERS)
 - TORQUE: SHCS SHOULDER BOLT WITH 1/2-13 THREADS AND NYLON LOCKING PELLET 1150 INCH LBS 96 FT-LBS 13.2 KG FORCE METERS 129.4 N-M

	DIVISION OF A.T.FERRELL COMPANY 1440 S ADAMS ST BLUFFTON, INDIANA 46714 - USA PH: 260-824-3400 FAX: 260-824-5463		This drawing is the property of the A.T. Ferrell Company, Inc and must be returned immediately upon request. No part of this drawing may be reproduced, stored in a retrieval system or transmitted in any form or by any means, without prior written consent of the A.T. Ferrell Company, Inc.		
	TOLERANCES EXCEPT AS NOTED: DECIMAL: ± .030 XXX ± .005 XXXX ± .001	FRACTIONAL: ± 1/32 ANGULAR: ± 1/2°	TITLE: DEBEARDER MINI CONCEPT	DRAWN BY: dclark	DRAWN DATE: 11/15/2011
CAD NO MANUAL CHANGES	SCALE: 0.14:1	SHEET: 1 OF 2	SIZE: D	PART NUMBER: F20504120-I	REV: A