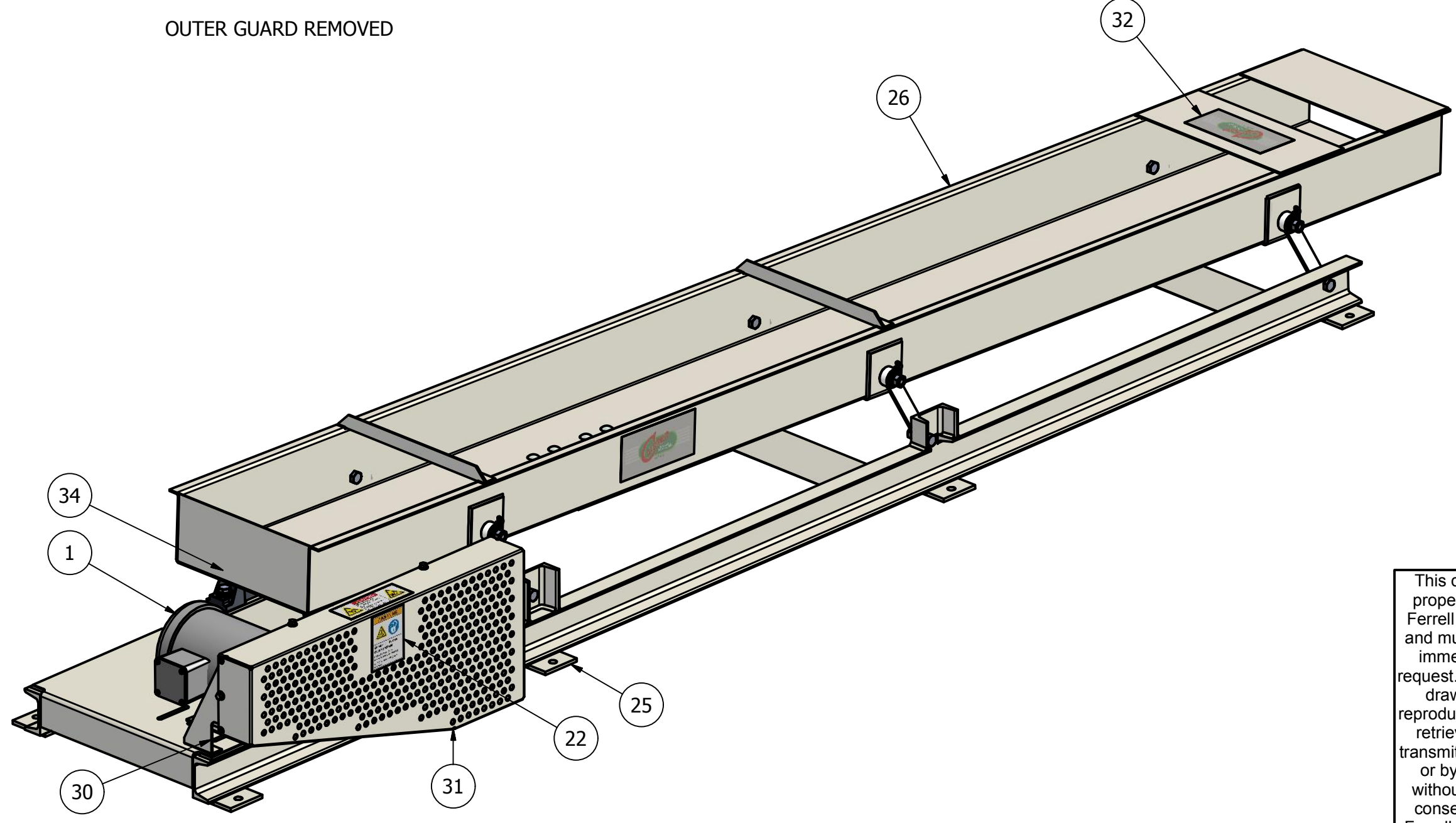
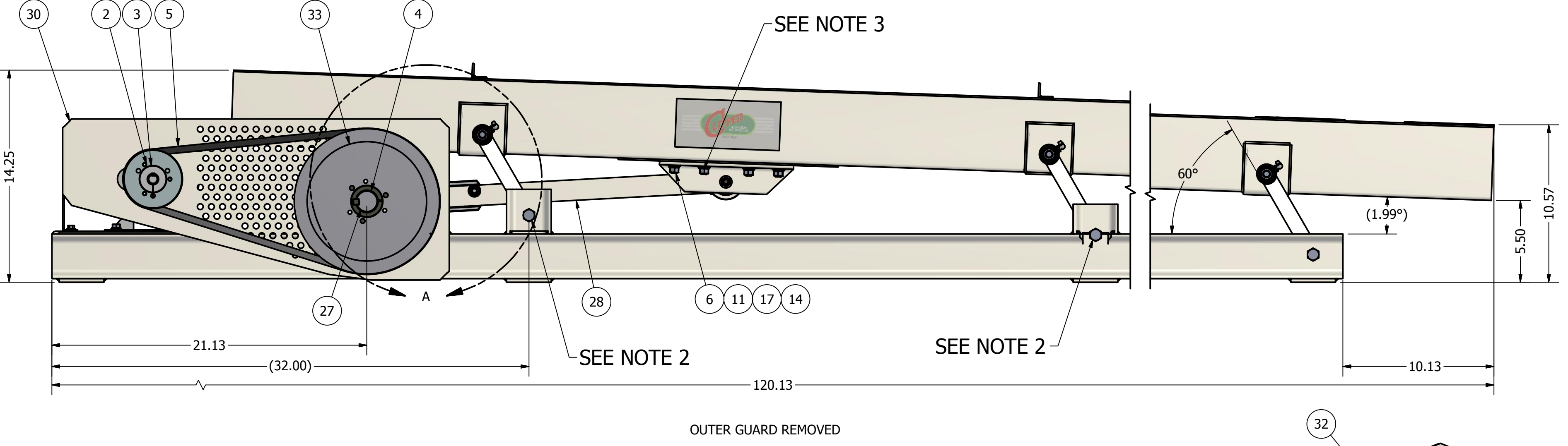
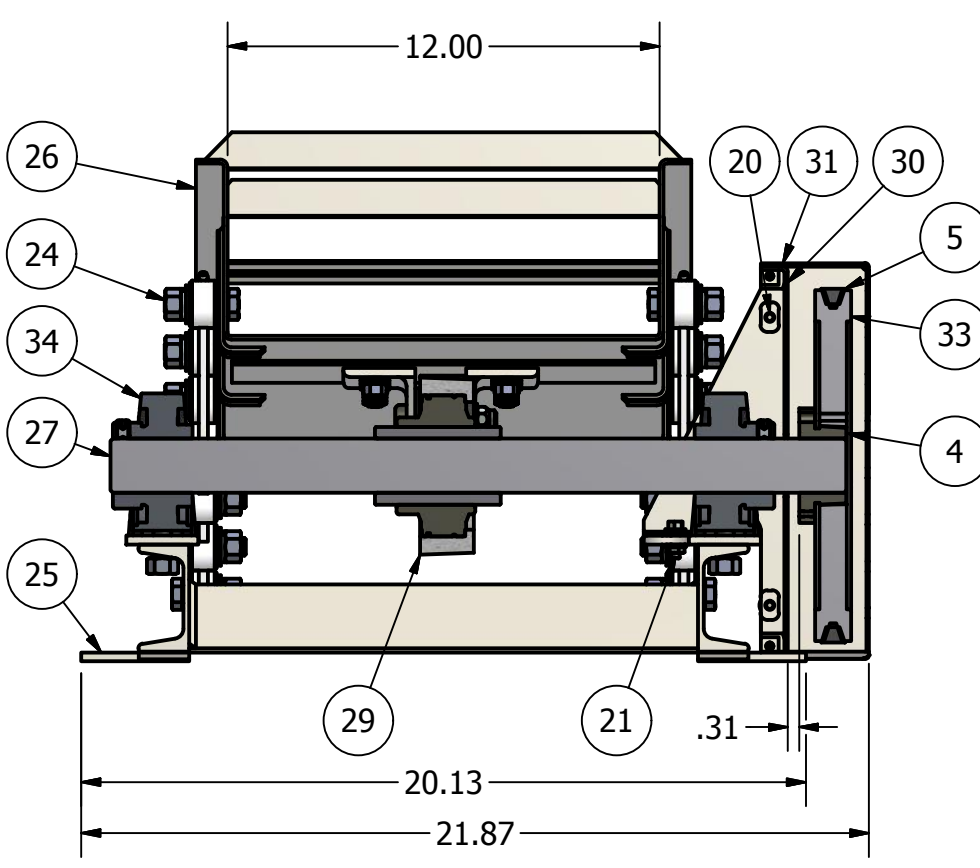
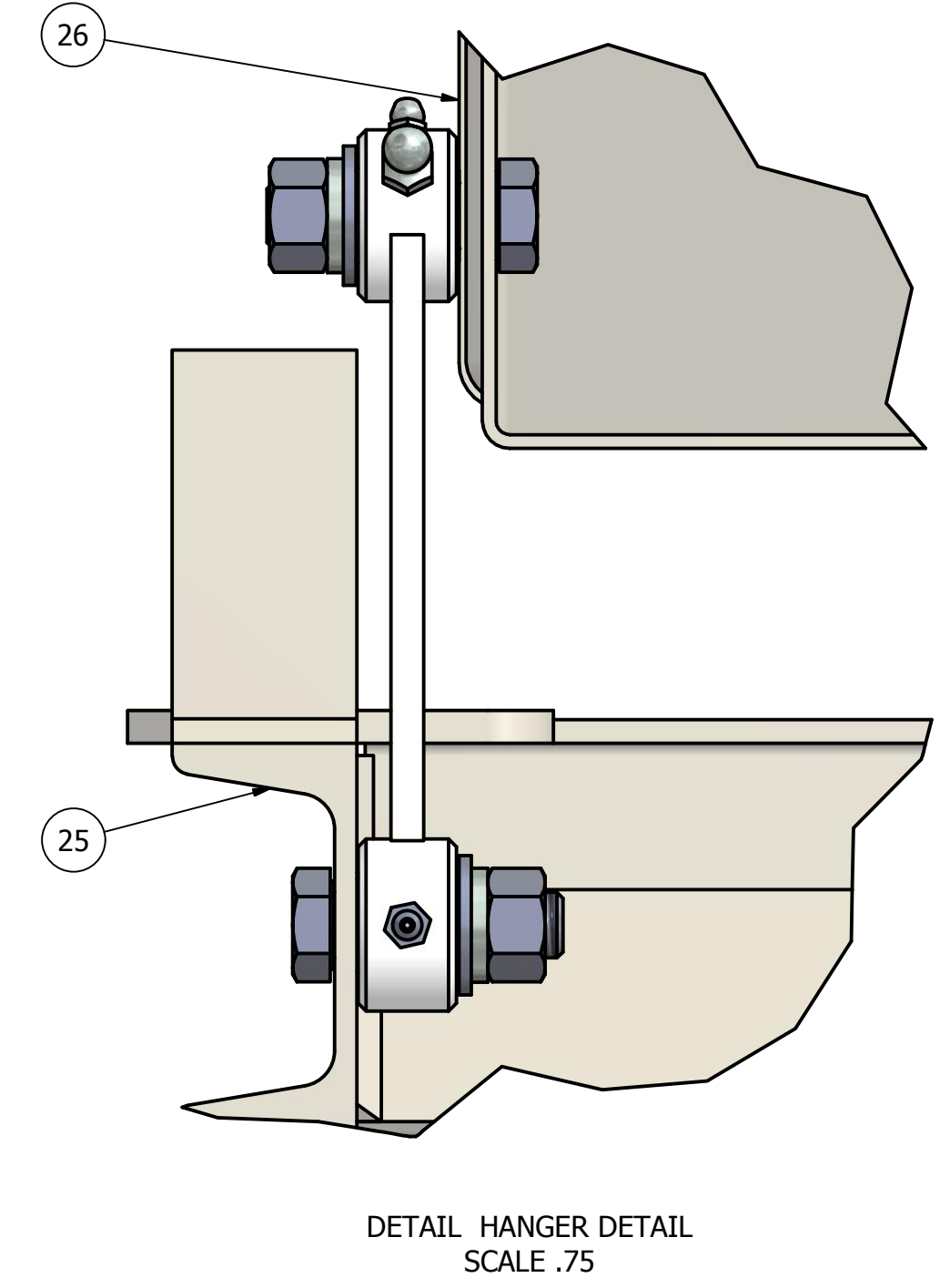
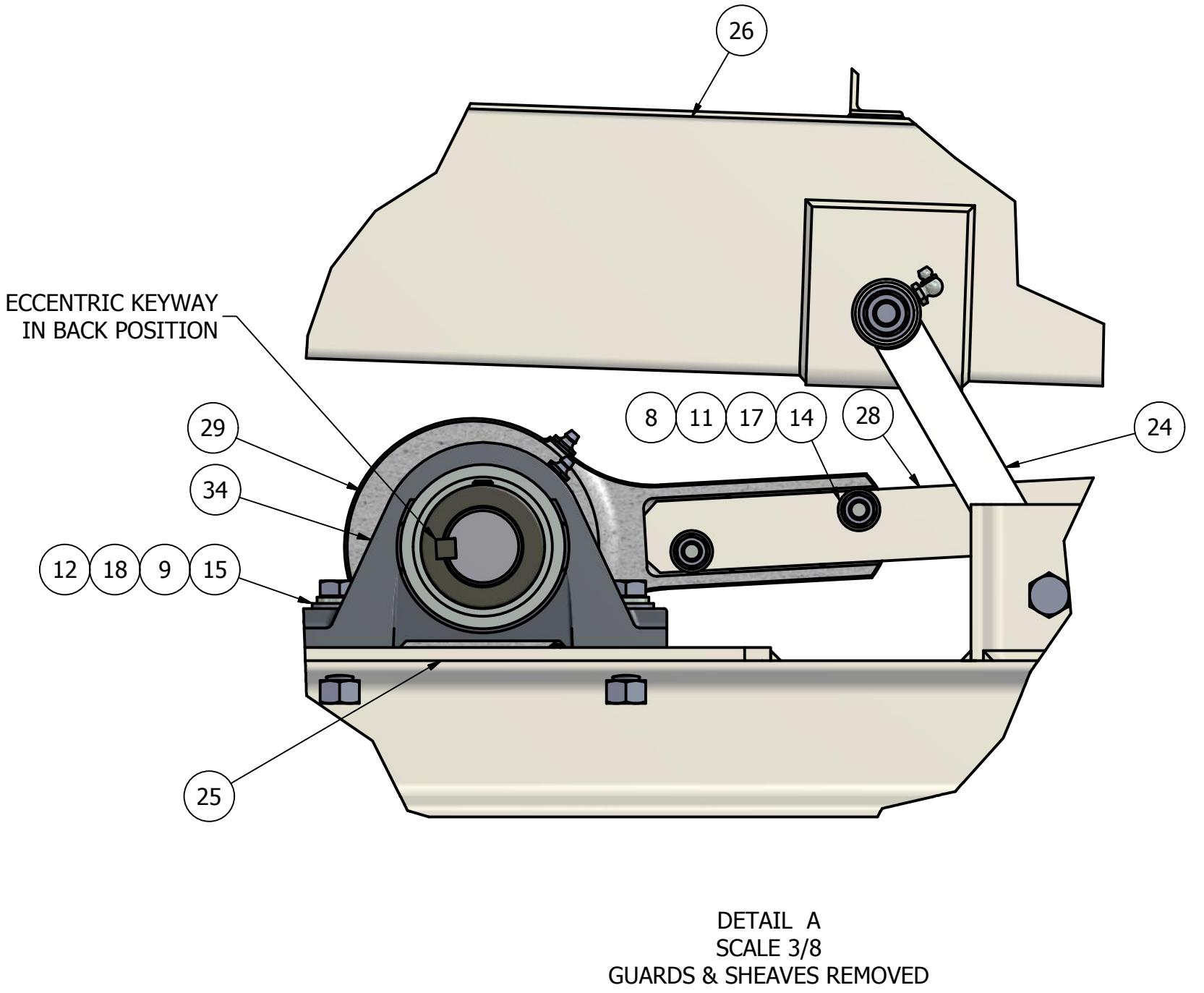
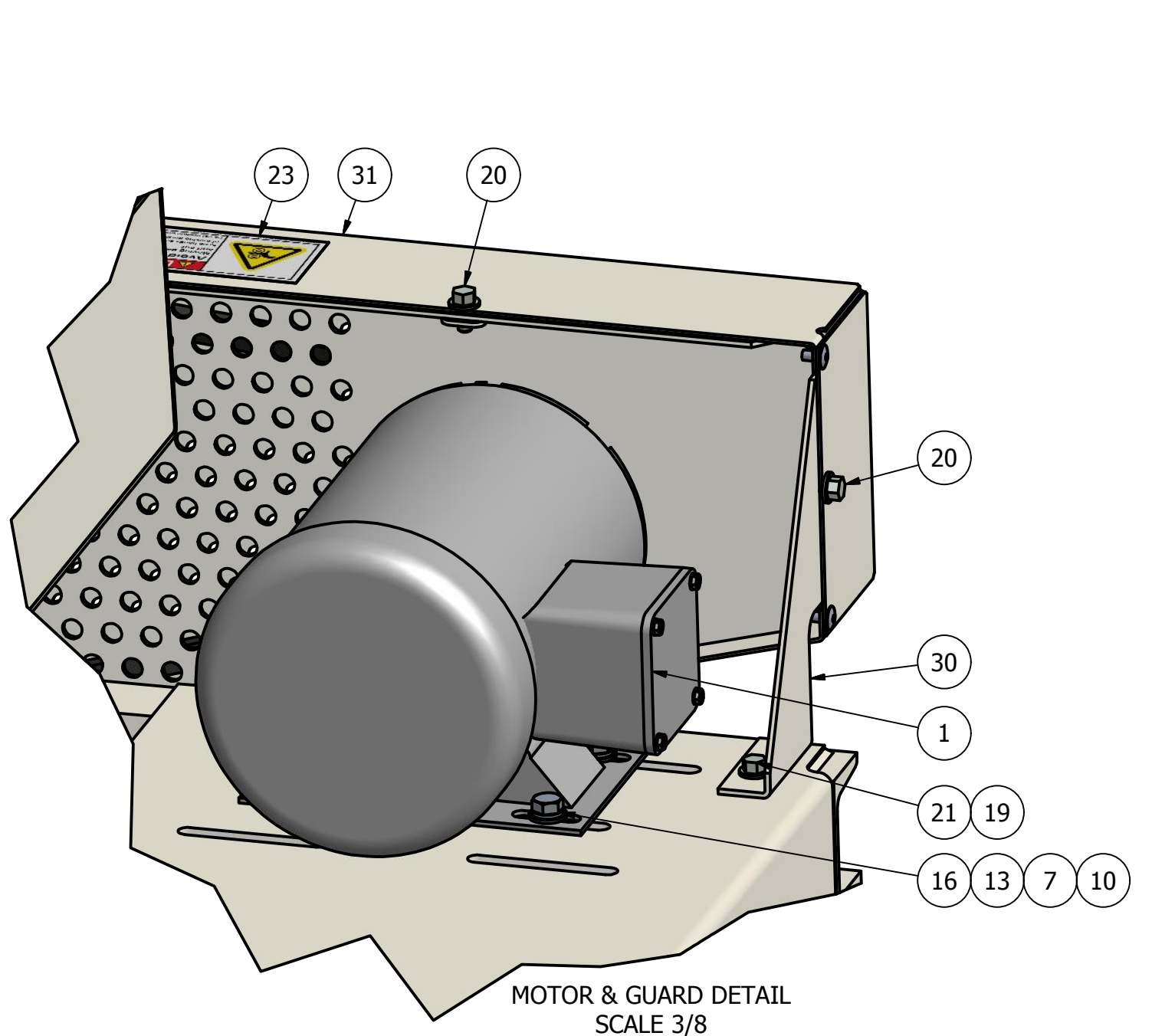


REVISION HISTORY				
REV	ECN	DESCRIPTION	DATE	APPROVED
A	F090231	SEPERATED SHEETS, REDRAWN IN INVENTOR, UPDATED DESIGN	3/22/2010	SH



ITEM	PART NUMBER	QTY	DESCRIPTION
34	F92401082	2	BEARING, PB 1.500" VAK
33	F91912094	1	SHEAVE, 1B 9.4 SDS
32	F80003616	3	DECAL, "CLIPPER" 2.25 X 7.00"
31	F28030602	1	GUARD, OUTER DRIVE, VIB SPOUT
30	F28030601	1	GUARD, INNER DRIVE, VIB SPOUT
29	F19503601	1	ASSY, ECCENTRIC 3/8 THROW 1 1/2 BORE
28	F19503509	1	ASSY, PITMAN W/NDL BRG 21" CVR
27	F09302905	1	SHAFT, ECC 1.5 X 20.44, VIB SPOUT 1 ECC 12" WIDE
26	F09000709	1	ASSY, SPOUT 12" SVC 9'
25	F09000409	1	ASSY, BASE FRAME 12" SVC, 9'
24	F09000300	6	ASSY, HANGER ARM 6.25" W/BRG, HDW
23	80006509	1	DECAL, DANGER, KEEP HANDS CLEAR
22	80003643	1	DECAL, WARNING, BELT & CHAIN
21	67653317	2	HHCS, 1/4-20 X 3/4 SERRATED WASHER PLT
20	67653312	5	HHCS, 1/4-20 X 1/2 SERRATED WASHER PLT
19	66783300	2	NUT, HEX SERR LOCK 1/4-20
18	66445200	4	WASHER, LOCK HELICAL 1/2"
17	66444400	10	WASHER, LOCK HELICAL 3/8"
16	66443800	4	WASHER, LOCK HELICAL 5/16"
15	66405200	4	WASHER, FLAT 1/2" TYPE A
14	66404400	10	WASHER, FLAT 3/8" NARROW TYPE A
13	66403800	4	WASHER, FLAT, 5/16" TYPE A
12	66085200	4	NUT, HEX 1/2-13
11	66084400	10	NUT, HEX 3/8-16
10	66083800	4	NUT, HEX 5/16-18
9	62585233	4	HHCS, 1/2-13 X 2.00"
8	62584426	2	HHCS, 3/8-16 X 1.25"
7	62583817	4	HHCS, 5/16-18 X .75"
6	60284422	8	BOLT, CARR 3/8-16 X 1.00"
5	45002051	1	BELT, B-48
4	44010518	1	BUSHING, QD SDS 1.500"
3	44010304	1	BUSHING, QD SH 5/8
2	43110079	1	SHEAVE, SH 1B3.6
1	33000506	1	MTR 3/4HP 3D18 0/6 TEFC FT

- NOTES:
- DO NOT SCALE FROM DRAWING.
  - A: BOLT HANGER ASSY TO FRONT & BACK OF SPOUT ASSY & BASE ASSY.
  - HANGERS MUST BE MOUNTED AT 60° AS SHOWN.
  - LOCATE & DRILL Ø17/32 HOLE THRU
  - A: BOLT PITMAN ASSY TO ECCENTRIC ASSY
  - SET ECCENTRIC KEYWAY TOWARDS THE BACK (SEE DETAIL A) KEYWAY MUST STAY IN THIS POSITION WHILE FASTENING PITMAN TO SPOUT WITH THE HANGERS MOUNTED AT 60°.
  - LOCATE AND DRILL Ø13/32 HOLES THRU SPOUT AND BOLT PITMAN ASSY TO SPOUT.

This drawing is the property of the A.T. Ferrell Company, Inc and must be returned immediately upon request. No part of this drawing may be reproduced, stored in a retrieval system or transmitted in any form or by any means, without prior written consent of the A.T. Ferrell Company, Inc.

**CAD**  
NO MANUAL CHANGES

**TOLERANCES**  
EXCEPT AS NOTED

DECIMAL: .005  
XX ± .005  
XX ± .030

FRACTIONAL: ± 1/32

ANGULAR: ± 1/2

FINISH: NONE

SCALE: 0.19:1

DRAWN BY: SAH

APPROVED BY: DJ

TITLE: CONVEYOR, SUPER VIB 12" - 9'

DATE: 3/23/2010

SIZE: D

PART NUMBER: F51001209

SHEET: 1 of 1

CLIPPER SEPARATION TECHNOLOGIES SINCE 1869

DIVISION OF A. T. FERRELL COMPANY BLUFFTON, INDIANA - USA