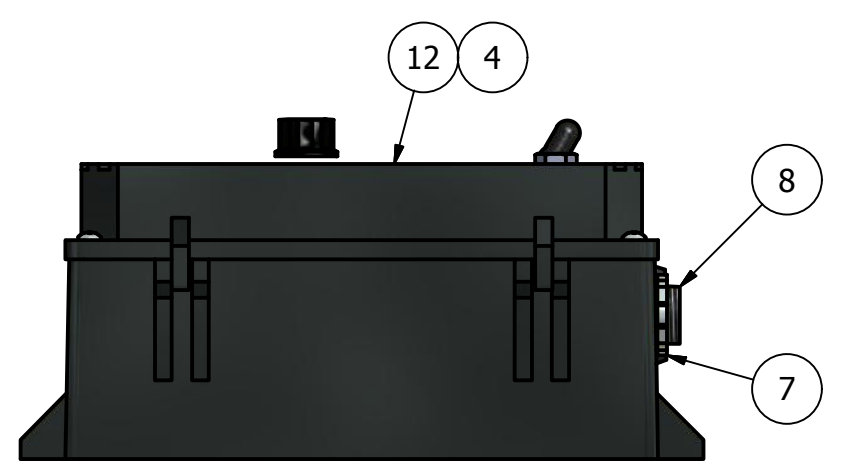
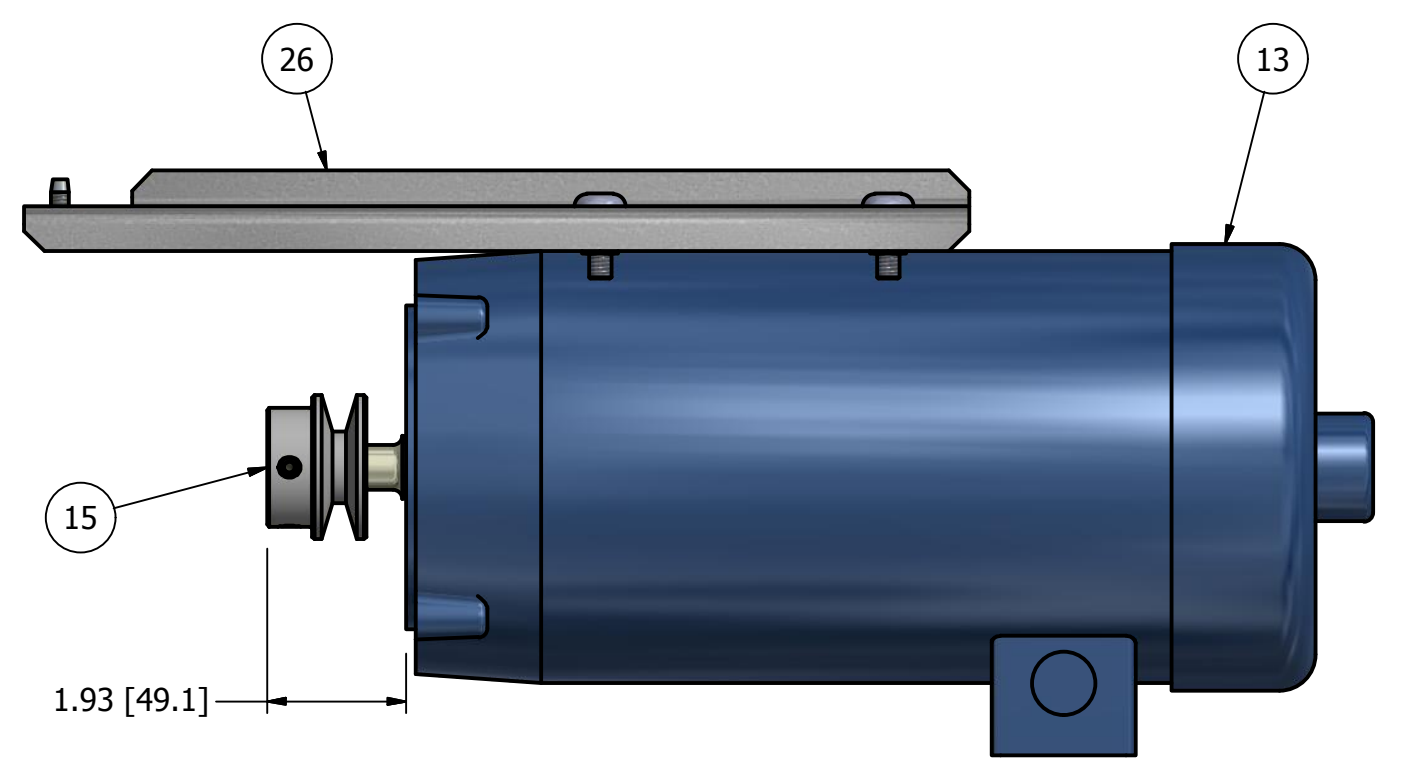
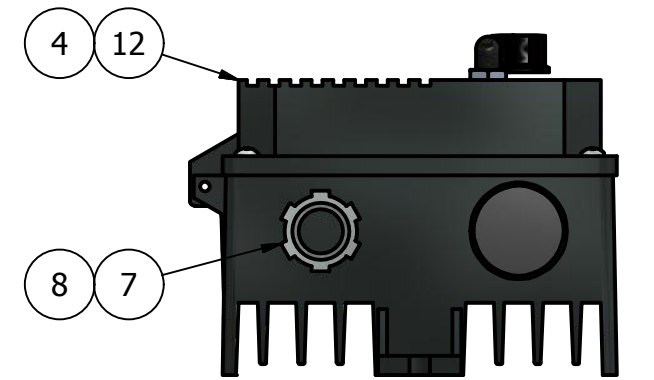


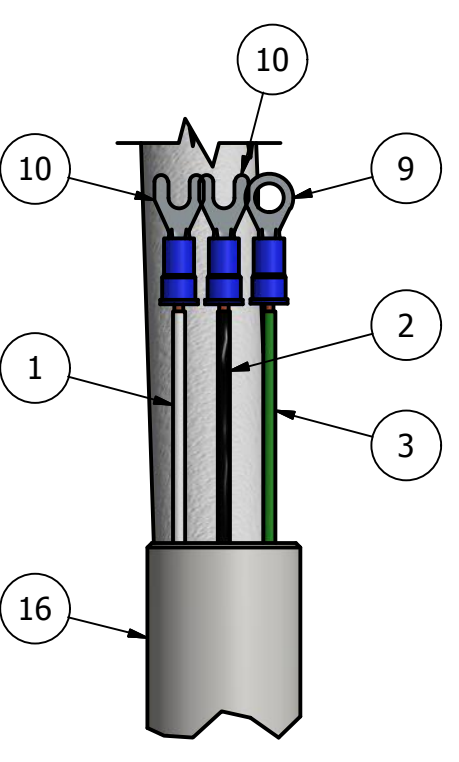
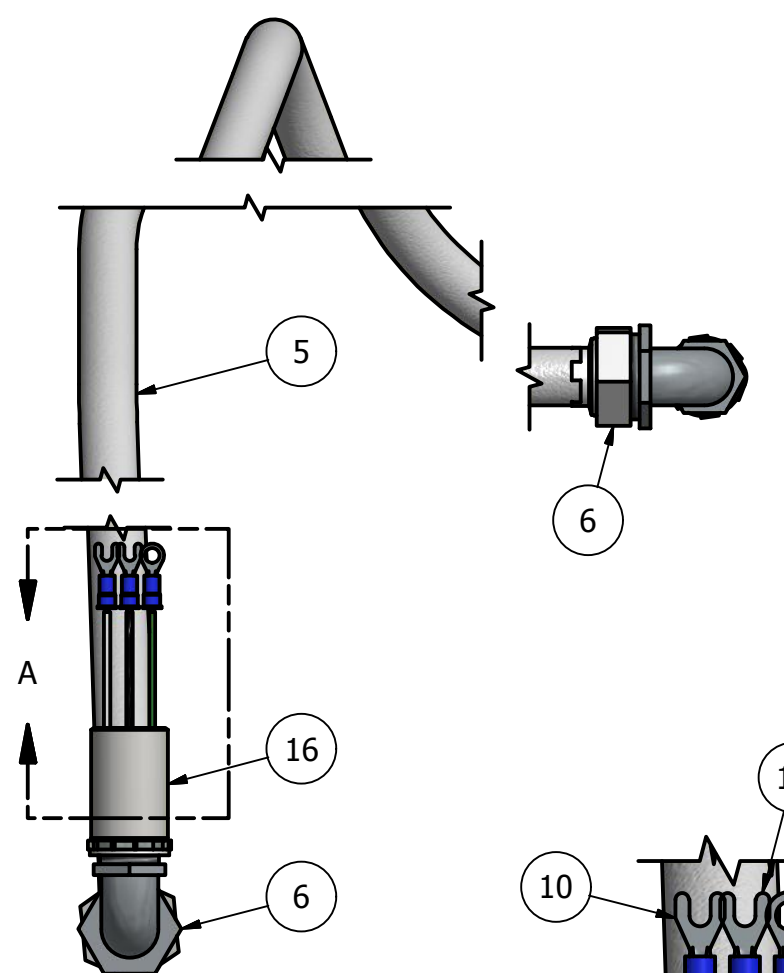
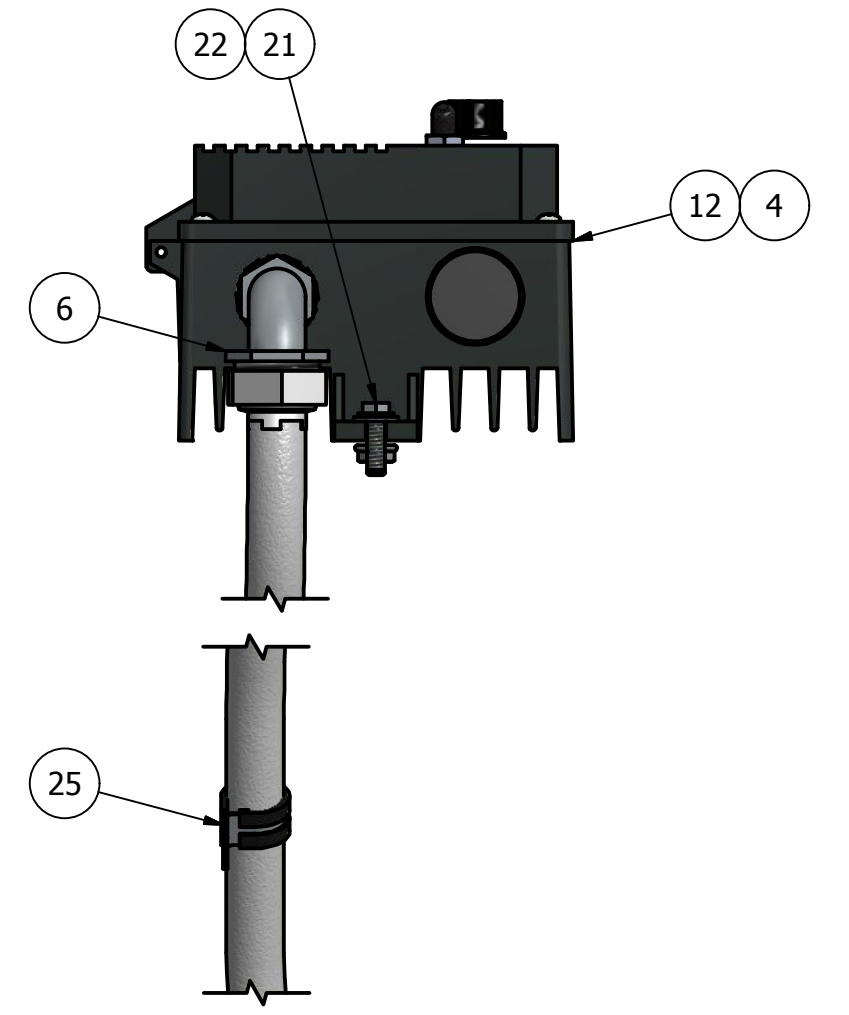
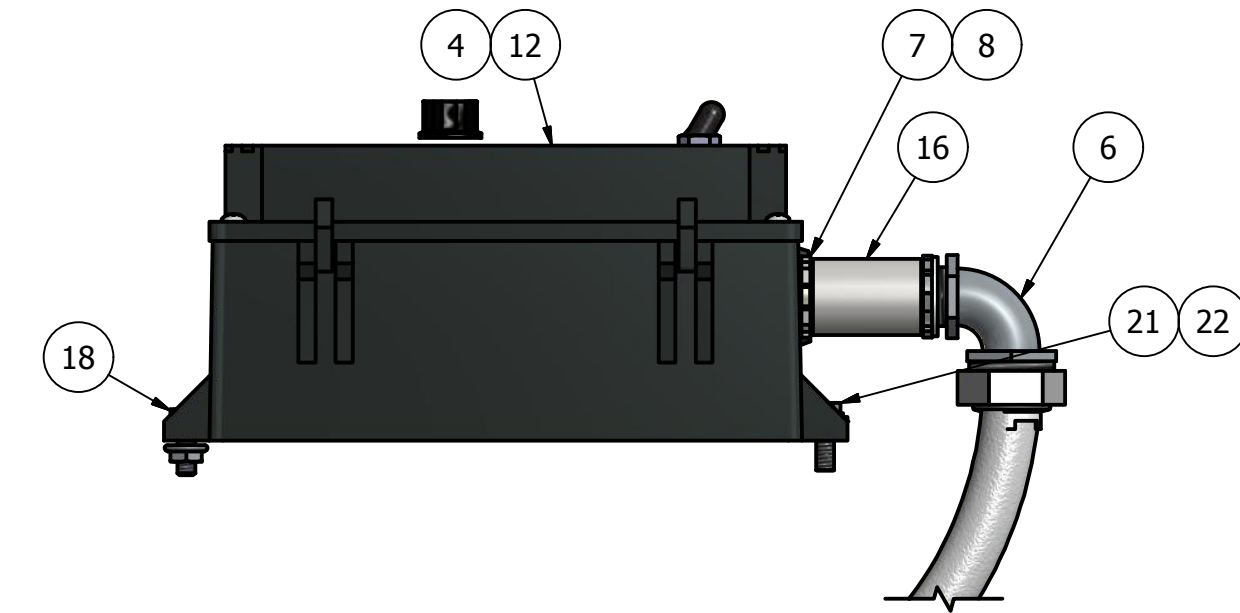
REVISION HISTORY			
REV	ECN	DESCRIPTION	DATE
A	F120088	RELEASE PRINT, CHANGE TITLE: ADD 'DC' & '230V', ADD 31001039, 31002642 31003372, 33000104 & 51004005	10/10/2012
			APPROVED dmjohnson



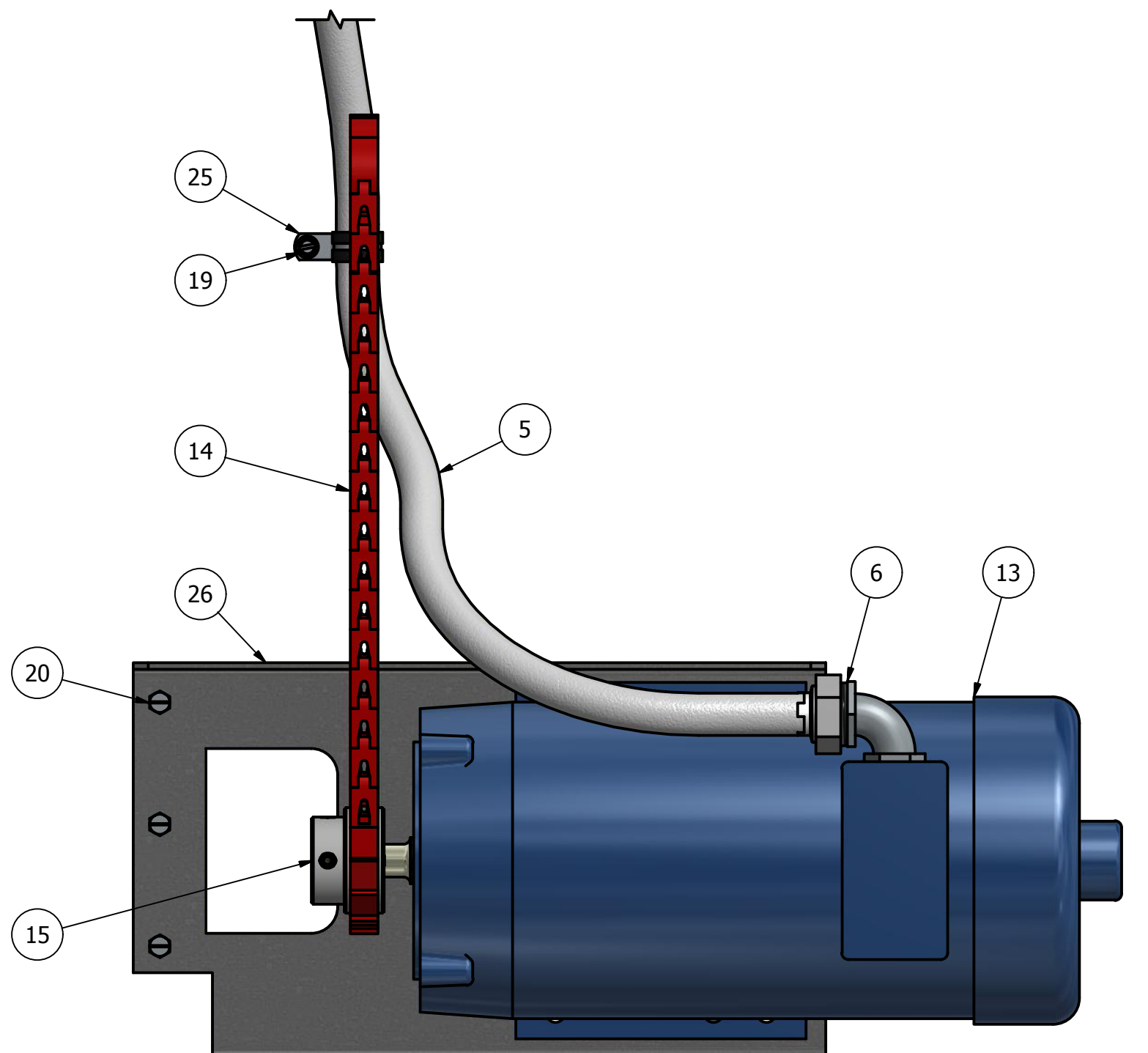
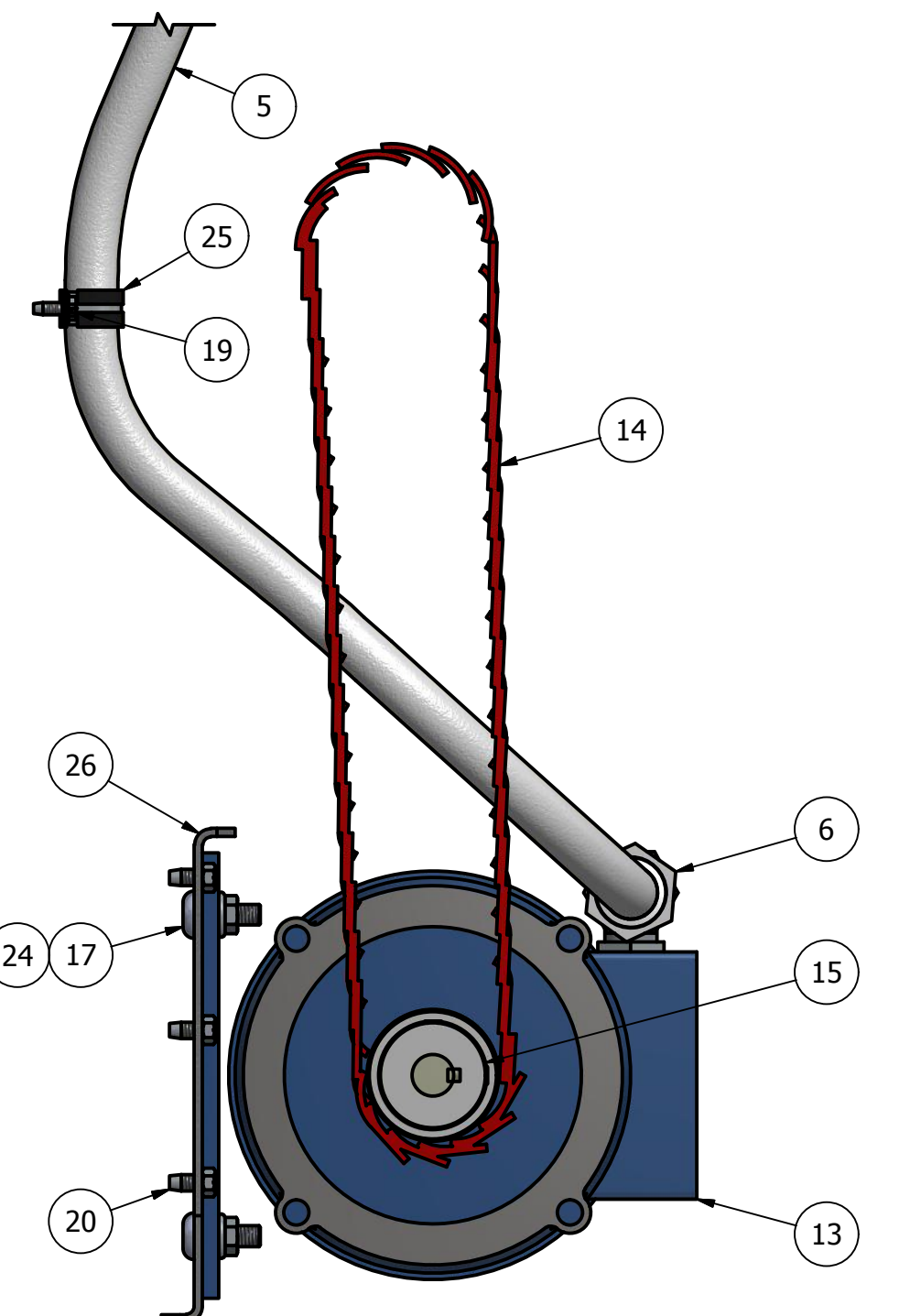
INVERTER SUB-ASSEMBLY



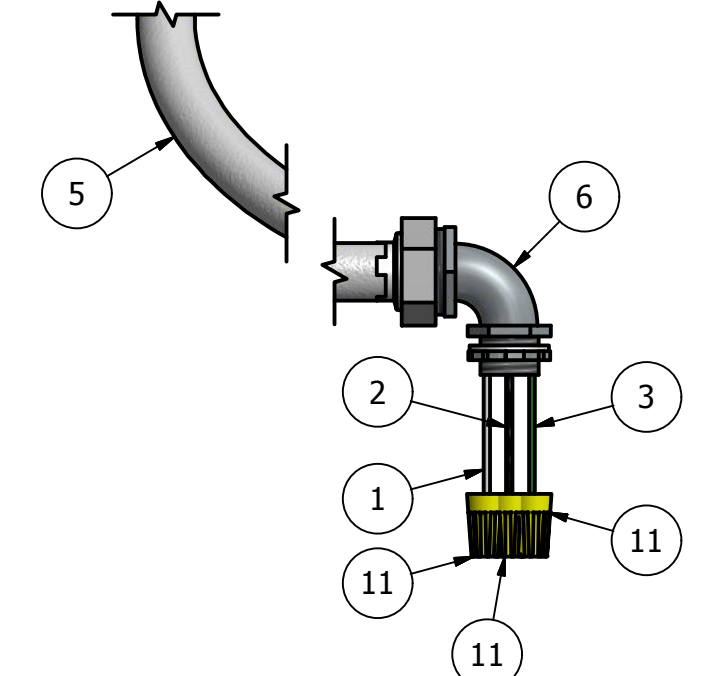
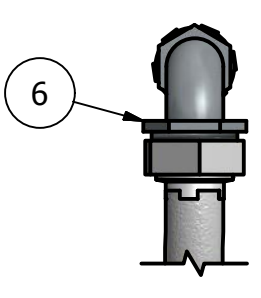
FRONT VIEW, MOTOR ASSEMBLY



DETAIL A  
CONTROLLER CONNECTIONS  
SCALE 3/4



FRONT VIEW, COMPONENTS ONLY



CONDUIT & WIRE DETAIL  
SCALE 3/8

ITEM	PART NUMBER	QTY	DESCRIPTION
26	F60002023	1	MOUNT, VERT MOTOR, VS FAN, ECLIPSE 324
25	70001021	2	CLAMP, LOOP, EPDM CUSHION ZINC, 3/4"
24	66783800	4	NUT, HEX SERR LOCK 5/16-18
23	66783300	1	NUT, HEX SERR LOCK 1/4-20
22	66403300	1	WASHER, FLAT, 1/4"
21	65483317	1	SCW, MACH HX WSH HD T/C 1/4-20 X 3/4"
20	65483312	3	SCW, MACH HX SLT HD T/C 1/4-20 X 1/2"
19	65482612	1	SCW, HX SLT WSHR HD T/C #10-24 X .50"
18	62583317	1	HHCS, 1/4-20 X 3/4"
17	60283822	4	BOLT, CARR 5/16-18 X 1.00"
16	51004005	1	COUPLING, PIPE CS 150 PSI SCH 40, 1/2" NPT
15	42100204	1	SHEAVE, 1AK2.0 .625"
14	40000521	2.750 ft	BELT, V-A/4L 1/2" POWER TWIST, 33.00"
13	33000104	1	MTR, 1HP DC 1800/180 56C TEFC
12	31012044	1	CONTROLLER, DC 1/2-1 HP, 115/230V NEMA 4X
11	31011503	3	NUT, WIRE 600V 18-12 AWG YELLOW
10	31008502	2	TERMINAL, FORK #6 INSUL, 14-16 AWG
9	31008501	1	TERMINAL, RING #10 INSUL, 14-16 AWG
8	31003372	1	NIPPLE, CONDUIT 1/2 NPT
7	31002642	1	NUT, SEALING LOCK, RIGID CONDUIT, 1/2 NPT
6	31002622	2	CONN, CONDUIT 90 DEG METAL 1/2"
5	31001702	4.854 ft	CONDUIT, LIQ-TITE NMC 1/2 X 58.25"
4	31001039	1	FUSE, 250V 8A AGC-8
3	30331400	5.438 ft	WIRE, GREEN COPPER MTW K FLEX, 14 AWG X 65.25"
2	30311400	5.438 ft	WIRE, BLACK COPPER MTW K FLEX, 14 AWG X 65.25"
1	30301400	5.438 ft	WIRE, WHITE COPPER MTW K FLEX, 14 AWG X 65.25"

- NOTES:  
 1. DO NOT SCALE FROM DRAWING.  
 2. OPTIONAL VARIABLE SPEED FAN PACKAGE FOR ECLIPSE 324, LINE ITEM ON SALES ORDER.  
 3. POWER IN 230 VAC (+/-10%) 50/60 HZ.  
 4. MAXIMUM FAN SPEED: 1100 RPM.  
 5. FOR 115 VAC 50/60 HZ POWER IN SEE F60002040.  
 6. ALTERNATE DIMENSIONS [X.X] IN MILLIMETERS.  
 7. SEE SHEET 2 FOR INSTALLATION DETAILS.

**CLIPPER**  
SEPARATION TECHNOLOGIES  
SINCE 1889

**DIVISION OF**  
 A.T.FERRELL COMPANY  
 1440 S ADAMS ST  
 BLUFFTON, INDIANA  
 46714 - USA  
 PH: 260-824-3400  
 FAX: 260-824-5463

This drawing is the property of the A. T. Ferrell Company, Inc. and must be returned immediately upon request. No part of this drawing may be reproduced, stored in a retrieval system or transmitted in any form or by any means, without prior written consent of the A. T. Ferrell Company, Inc.

TOLERANCES EXCEPT AS NOTED	TITLE
DECIMAL: ± .030	DRIVE ASSY, DC VARIABLE SPEED FAN, 230V, ECLIPSE 324
FRACTIONAL: ± 1/32	
XX ± .030	FINISH:
XXX ± .005	ANGULAR: ± 1/2°
XXXX ± .001	NONE
	SCALE: 0.38:1
	SHEET: 1 OF 2
	SIZE: D
	PART NUMBER: F60002020
	REV: A