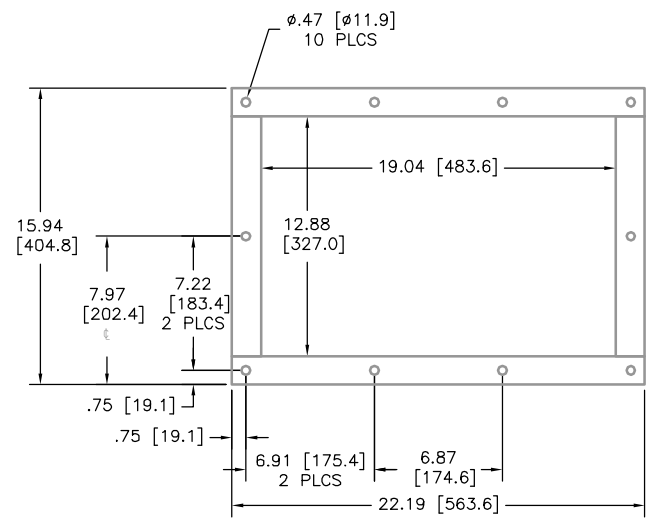
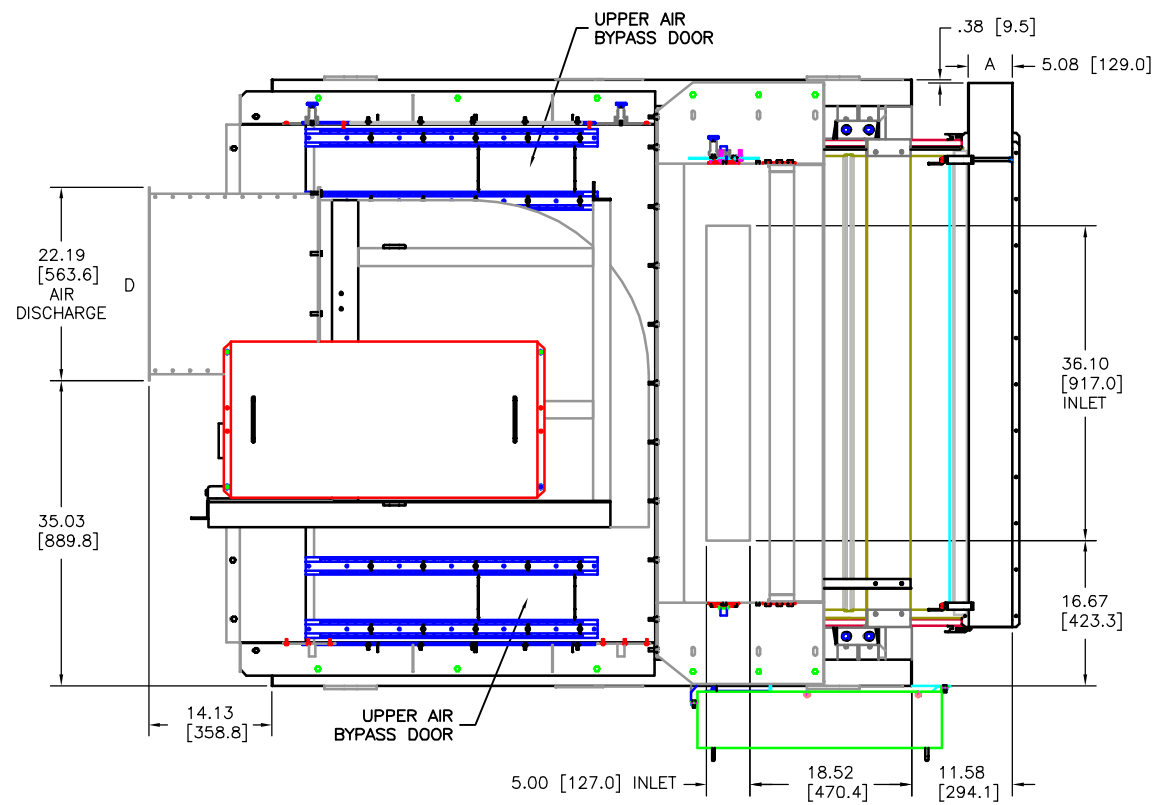
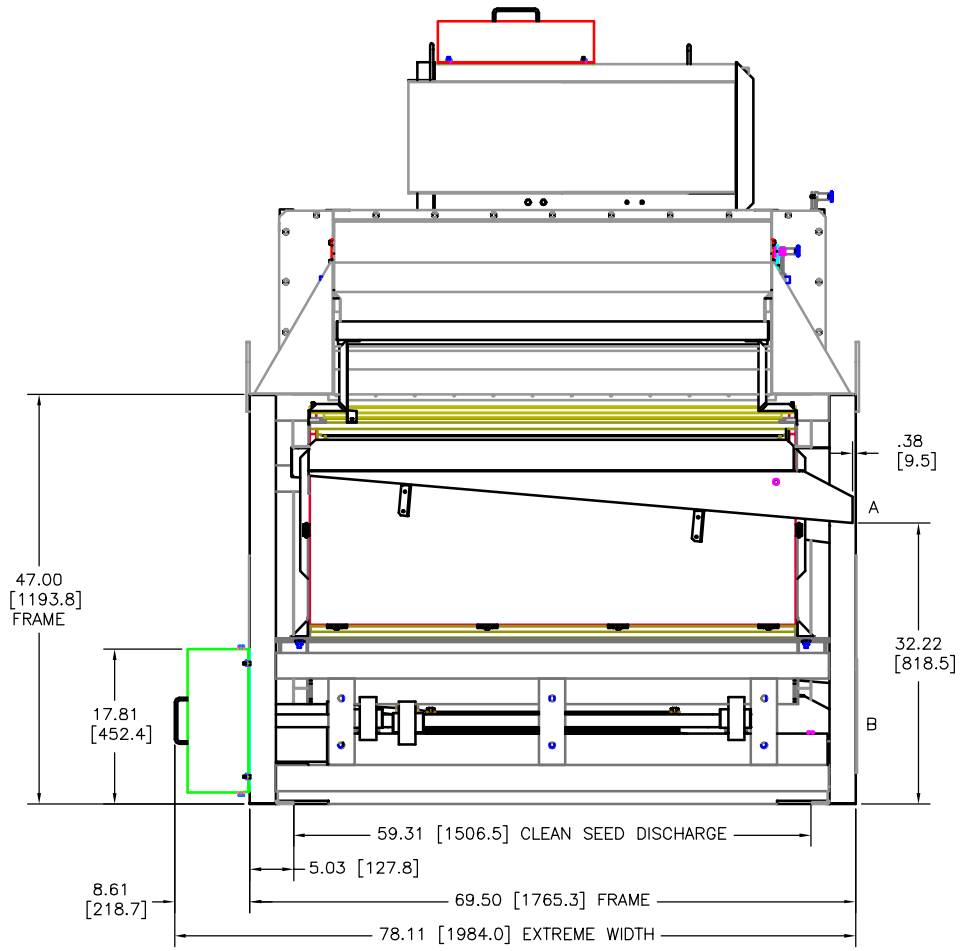
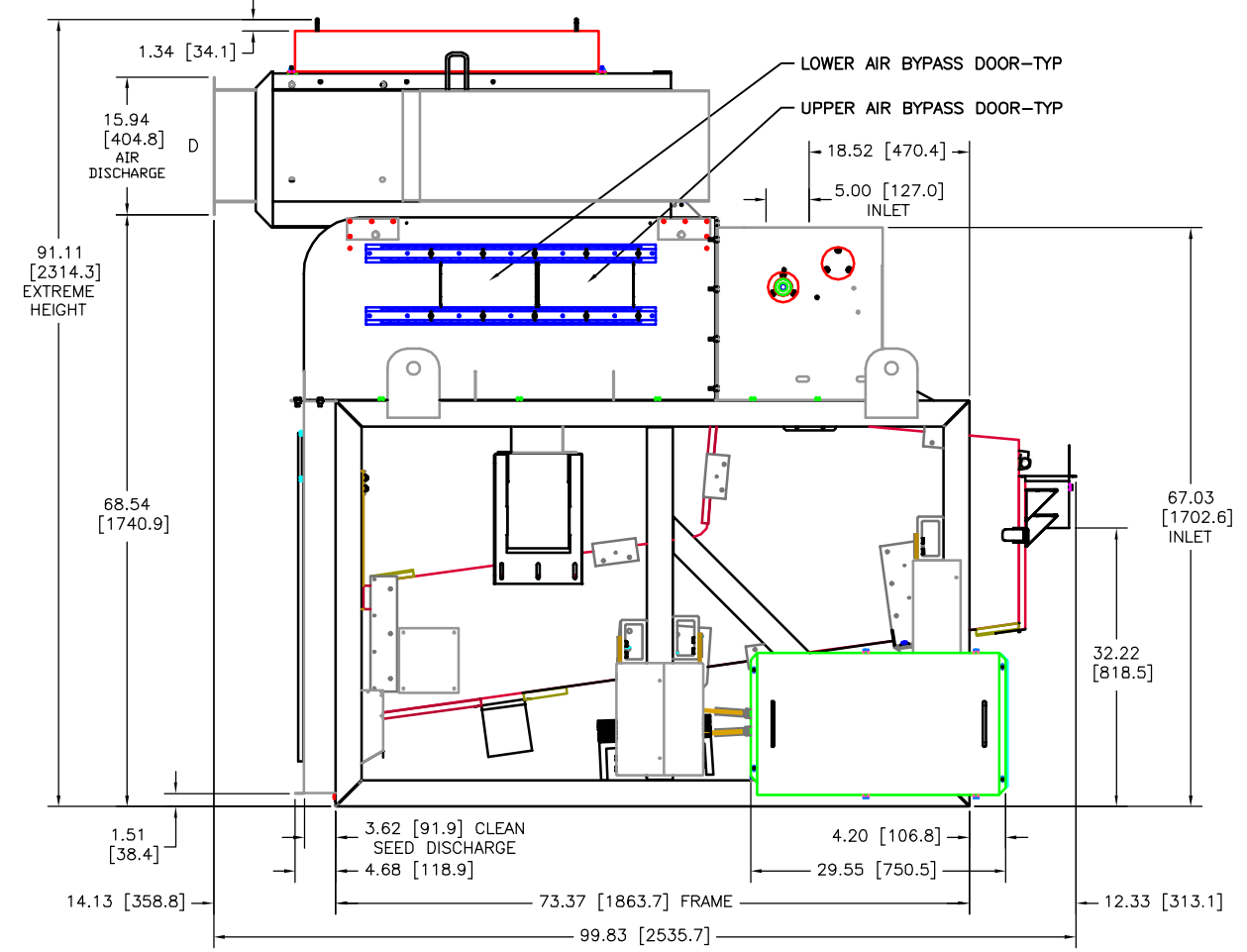


This drawing is the property of the A.T. Ferrell Company, Inc and must be returned immediately upon request. No part of this drawing may be reproduced, stored in a retrieval system or transmitted in any form or by any means, without prior written consent of the A.T. Ferrell Company, Inc



- NOTES:
- DO NOT SCALE FROM DRAWING.
 - ALTERNATIVE UNITS [X.X] IN MILLIMETERS.
 - RIGHT HAND MACHINE SHOWN.
 - BASE PACKAGE SHOWN WITH AIR PACKAGE: F61260103, SHOE MNT FEEDER PACKAGE: F61260100 AND SPOUT DISCHARGE PACKAGE: F61260104.
 - FAN AIR DISCHARGE: 5150 CFM/146 CMM.
 - SHIPPING WEIGHT: 3800 lbs/1724 kg.
 - FLOW ARRANGEMENTS AVAILABLE:
 - PRE-SCALP, TWO WAY SPLIT SIFT
 - PRE-SCALP: ONE 26X54"[660.4X1371.6] SCREEN @ 5' PITCH
 - SPLIT SIFT & SCALP-SIFT: TWO 26X54"[660.4X1371.6] SCREENS, TWO DECKS @ 8' PITCH
 - PRE-SCALP, SCALP-SIFT
 - 48.75 SQ FT/4.53 SQ METER TOTAL SCREEN AREA
 - SIX 3/4-8 GRADE 5 BOLTS RECOMMENDED TO LAG FRAME THRU FLOOR JOISTS.
 - RECOMMENDED MAINTENANCE CLEARANCE FROM FRAME: 48.00" [1219] AT FRONT & SIDES, 12.00" [305] AT REAR.



- A: SCALP/OVER SPOUT
B: SIFTING/UNDER SPOUT
C: AIR LIFTINGS SPOUT
D: FAN AIR DISCHARGE

| | | | |
|--|--|--|--|
| CAD NO MANUAL CHANGES | | | |
| TOLERANCES (EXCEPT AS NOTED) DECIMAL: XXX ± .005 XX ± .030 FRACTIONAL: ± 1/32 ANGULAR: ± 1/2° | | FINISH: NONE SCALE: 3/32 DRAWN BY: A.R.P. APPROVED BY: DMJ | |
| A DIVISION OF BLUFFTON AGRI CORP. SINCE 1869 BLUFFTON, INDIANA, U.S.A. | | DRAWING TITLE: INSTALLATION, PRELUDE 526 DATE: 12/2/99 SIZE: D DRAWING NO.: F61260000-1 SHEET: 1 of 3 | |