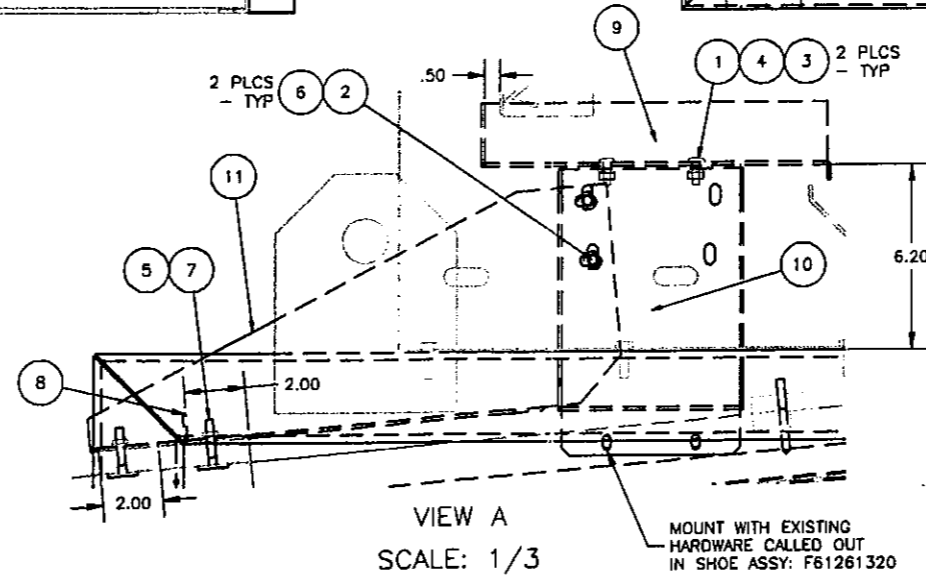
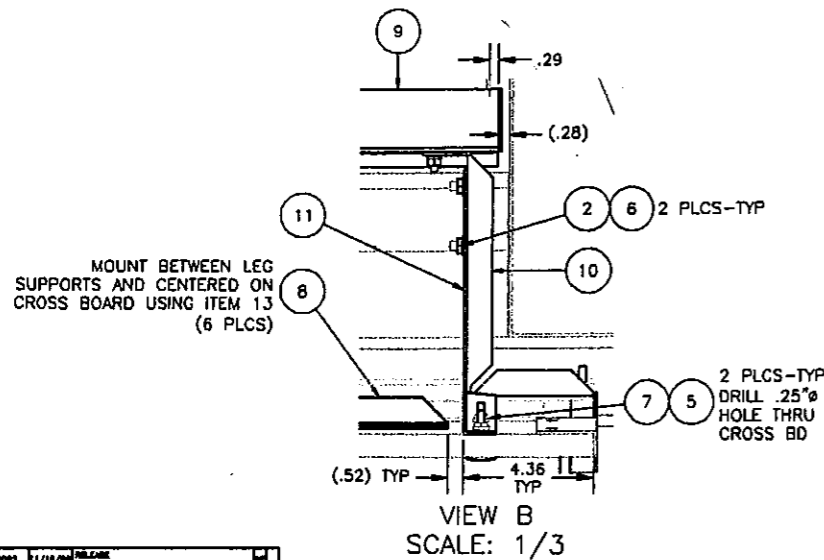
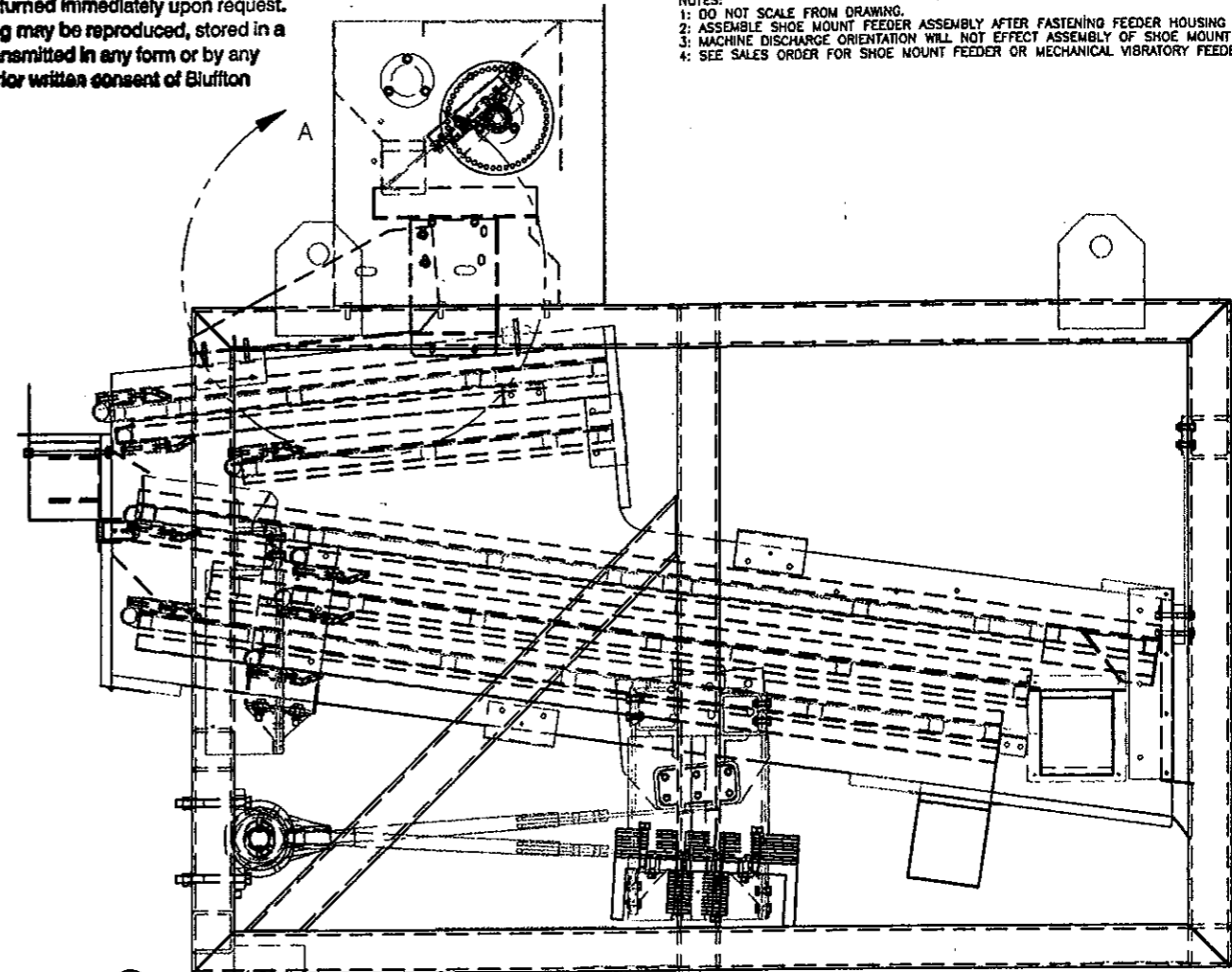
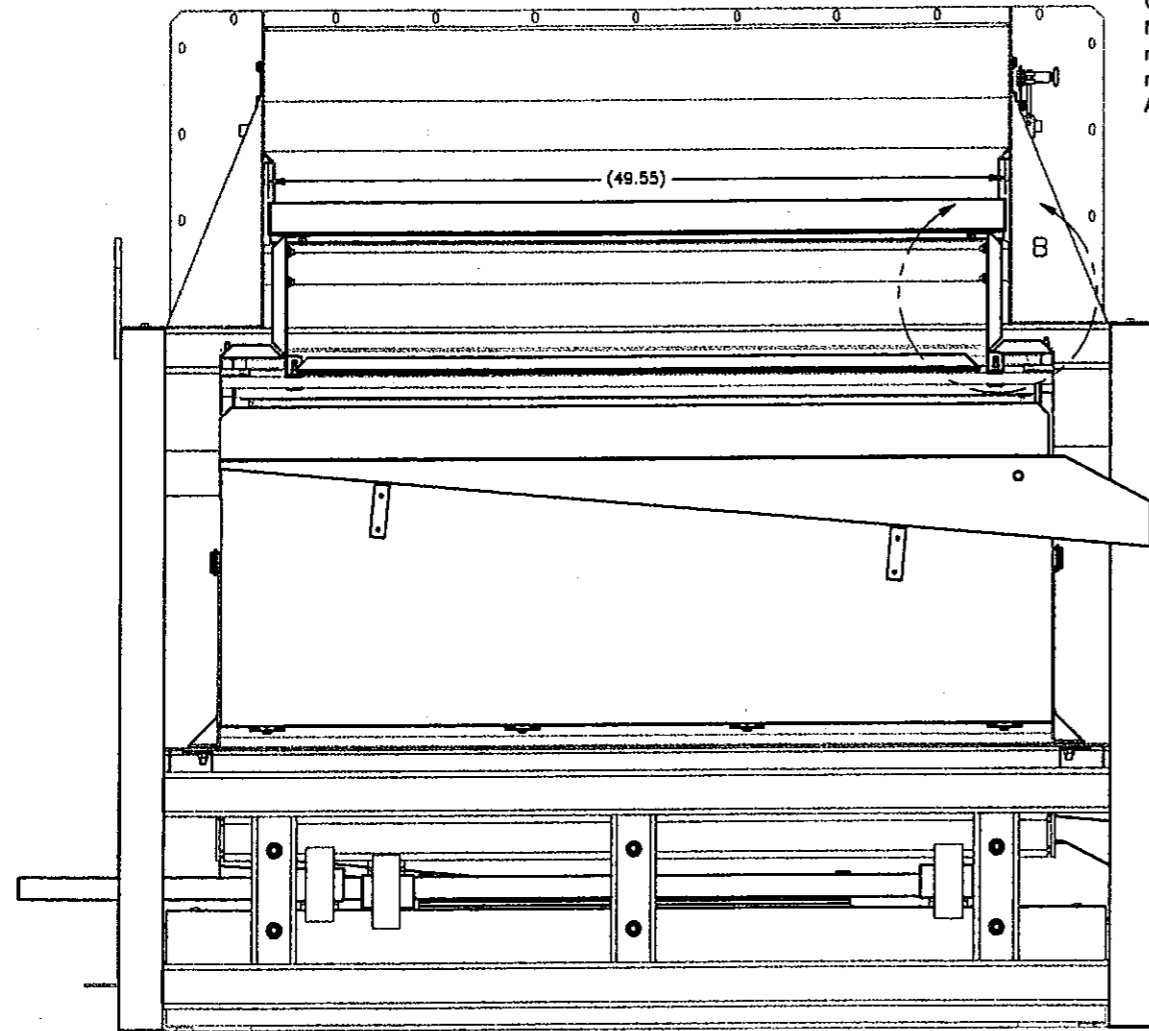


This drawing is the property of Bluffton Agri/Industrial Corp. and must be returned immediately upon request. No part of this drawing may be reproduced, stored in a retrieval system or transmitted in any form or by any means, without the prior written consent of Bluffton Agri/Industrial Corp.

- NOTES:  
 1: DO NOT SCALE FROM DRAWING.  
 2: ASSEMBLE SHOE MOUNT FEEDER ASSEMBLY AFTER FASTENING FEEDER HOUSING TO FRAME, SEE F61260000.  
 3: MACHINE DISCHARGE ORIENTATION WILL NOT EFFECT ASSEMBLY OF SHOE MOUNT FEEDER.  
 4: SEE SALES ORDER FOR SHOE MOUNT FEEDER OR MECHANICAL VIBRATORY FEEDER ASSEMBLY (F61260101).



ITEM	PART NUMBER	QTY.	DESCRIPTION
12	F83453402	6	SCREW, PAN HD #8 x 3/4" SMS PLT
11	F61261327	2	SUPPORT, FEEDER PAN, PRELUDE
10	F61261326	2	LEG, FDR PAN, PRELUDE
9	F61261323	1	FEEDER PAN, PRELUDE
8	F61260054	1	ANGLE BRACE, CROSSBOARD, PRELUDE
7	70010517	4	BOLT, ELEV. 1/4-20 x 1.50"
6	66783800	4	NUT, HEX SERR FLANGE 5/16-18
5	66783300	4	NUT, HEX SERR. FLANGE 1/4-20
4	66443300	4	WASHER, LOCK 1/4"
3	66083300	4	NUT, HEX 1/4-20
2	62613817	4	SCW, HX WSH HD, 5/16-18 x 3/4"
1	60283317	4	BOLT, CARR 1/4-20 x 3/4"

CAD NO MANUAL CHANGES		A DIVISION OF BLUFFTON AGRICULTURAL CORP. SINCE 1948	
TOLERANCES (EXCEPT AS NOTED)		BLUFFTON, INDIANA, U.S.A.	
DECIMAL: ± .001	FINISH: TOUCH-UP	SCALE: .1667	DRAWN BY: A.R.P.
FRACTIONAL: ± 1/32	DRAWING TITLE: PRELUDE SHOE MNT FEEDER PACKAGE		
ANGLAR: ± 1/2	DATE: 11/19/99	SHEET: B	DRAWING NO.: F61260100