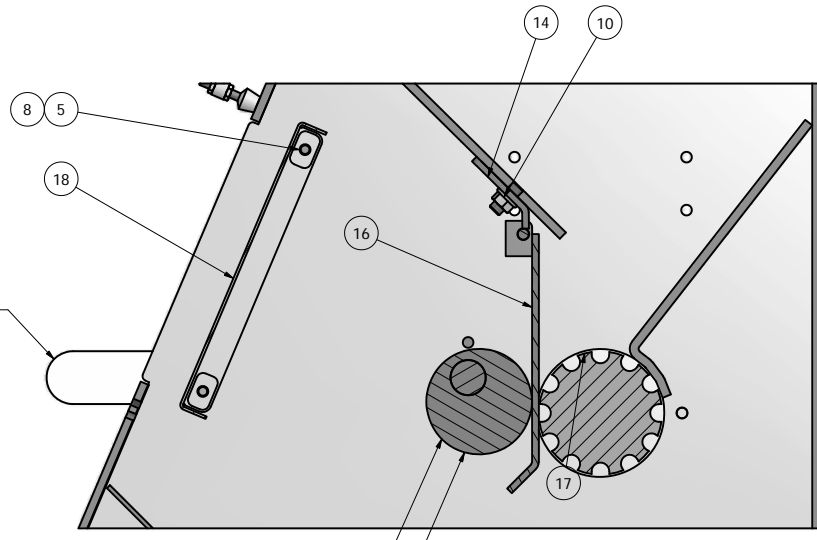


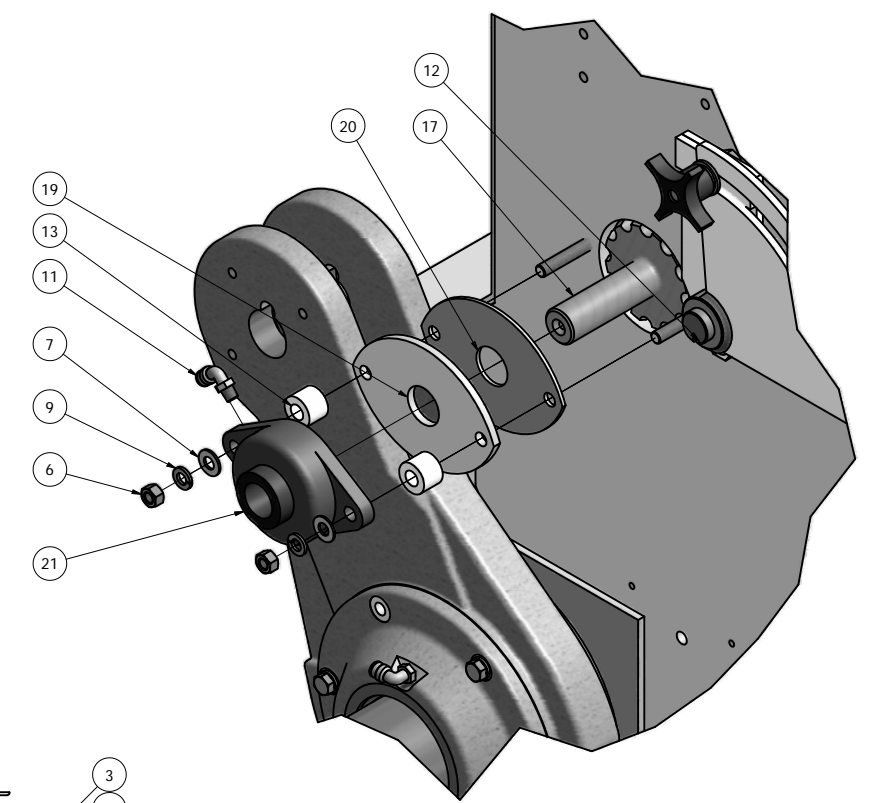
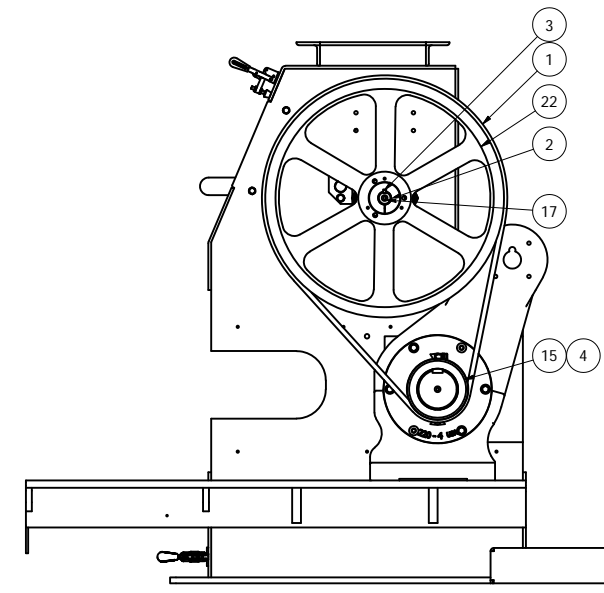
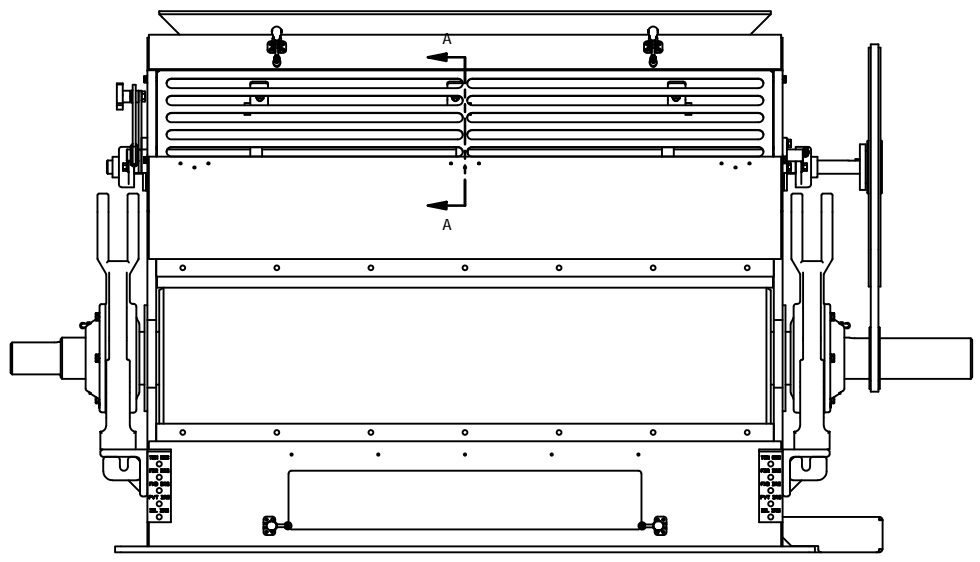
REVISION HISTORY				
REV	ECN	DESCRIPTION	DATE	APPROVED
A	K010031	RELEASE	4/10/2001	DJ
B	K030032	REMOVED K200-00977	5/21/2003	DJ
A	K100146	REDRAWN INVENTOR, REMOVED (2) K200-01667	5/26/2010	SH

K100-00662 CONTROL LEVER ASSY,
FEED GATE RH 10/12" SHOWN IN
CLOSED POSITION



WELD ECCENTRICS TO SHAFT AFTER
INSTALLING K100-00662/63: CONTROL
LEVER ASSY, FEED GATE, RH/LH 10/12"
& LOCKING LEVER IN THE CLOSED
POSITION

SECTION A-A
SCALE 3/8



SCALE 3/8

NOTES:
1. DO NOT SCALE FROM DRAWING.
2. LINE ITEM ON SALES ORDER.
3. RIGHT HAND DRIVE ASSY SHOWN, ASSEMBLE FEED ROLL OPPOSITE FOR LEFT HAND MILL.
4. INSTALL DRIVE GUARD BACK PLATE BEFORE INSTALLING SHEAVES & BUSHINGS.
SEE: K100-01775 TO -01778: DRIVE GUARD ASSY, 12" 1HI & 2HI LH & RH RF 5C & 9C 39.2 & 44.1.

ITEM	PART NUMBER	QTY	DESCRIPTION
22	K915-14101	1	SHEAVE, 1B20.0 SK
21	K902-04401	2	BRNG, F2B-SXV-102 1.125" W/COLLAR
20	K201-05365	2	SPACER, FEED ROLL, TEFLON
19	K201-05364	2	SPACER, BRNG OUTER, FEED ROLL 10-12"
18	K200-05648	1	GUARD, NIP, ROLL FEED 12 X 52"
17	K200-01273	1	ROLL, FEED ALUM, SHAFT DRV 3.50X1.124", 12X52"
16	K200-00982	1	GATE WLDMT, FEED ROLL, 12 X 52"
15	K200-00843	1	SHEAVE, FEED ROLL DRIVE 3.500 ID
14	K200-00820	3	HINGE, FEEDER GATE 10-12"
13	K200-00787	4	BUSHING, FEED ROLL, 10"
12	K100-00627	1	SHAFT WLDMT, ECC FEED GATE 12 X 52"
11	70012050	2	CPLG, ELBOW 90 1/8-27M NPT X 1/4" TBG
10	66784400	3	NUT, HEX SERR LOCK 3/8-16
9	66444400	4	WASHER, LOCK HELICAL 3/8"
8	66443800	4	WASHER, LOCK HELICAL 5/16"
7	66404400	4	WASHER, FLAT 3/8" NARROW TYPE A
6	66084400	4	NUT, HEX 3/8-16
5	62583826	4	HHCS, 5/16-18 X 1.25"
4	61653408	2	SCREW, SOCKET HEAD SET 1/4-28 X 3/8 KNURLED CUP
3	49006632	1	KEY, SQUARE .250 X 2.00"
2	44010912	1	BUSHING, OD SK 1.125
1	40000520	6	V-BELT SZ B LINK TYPE PWR CR

This drawing is the property of the A.T. Ferrell Company, Inc and must be returned immediately upon request. No part of this drawing may be reproduced, stored in retrieval system or transmitted in any form or by any means, without prior written consent of the A.T. Ferrell Company, Inc

CAD NO MANUAL CHANGES	FINISH: NONE	SCALE: 1:8	DRAWN BY: SAH	APPROVED BY: DJ
TOLERANCES EXCEPT AS NOTED	DECIMAL: xxx = .005 xx = .030	FRACTIONAL: = 1/32	ANGULAR: = 1/2	DATE: 5/25/2010
DIVISION OF A. T. FERRELL COMPANY		SINCE 1869		BLUFFTON, INDIANA - USA
Ferrell-Ross MATERIALS PROCESSING & RECOVERY				
TITLE: ASSEMBLY, ROLL FEED, 12 X 52				
PART NUMBER: K100-00118			SHEET: 1 of 1	