

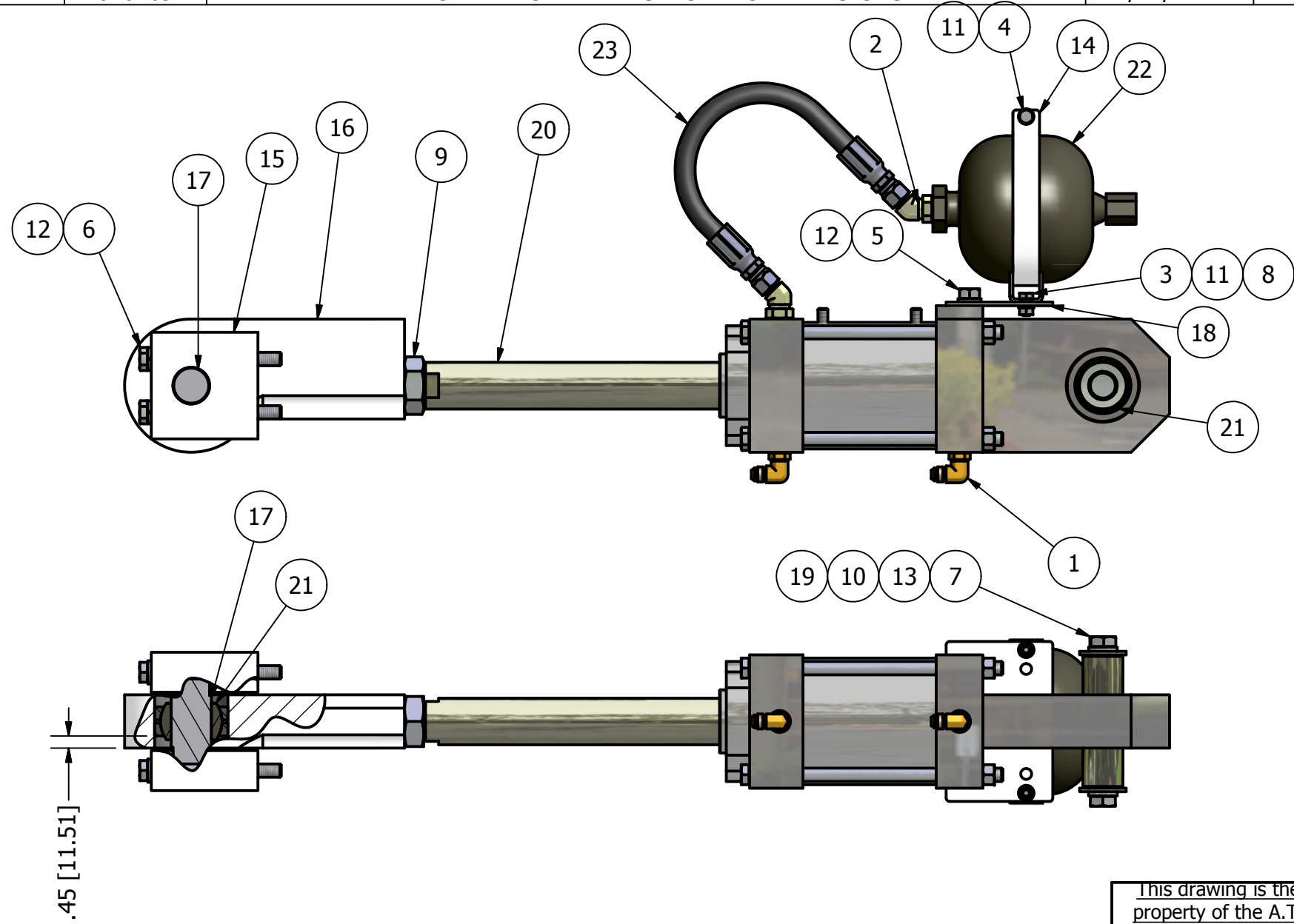
2

1

REVISION HISTORY

REV	ECN	DESCRIPTION	DATE	APPROVED
A	K990004	RELEASED	1/29/1999	DJ
B	K020003	UPDATE BOM	3/6/2002	DJ
C	K040065	53055155 & 53059156 WAS 53122023 & 53122026	10/8/2004	DJ
D	K070124	62585255 WAS 62585257, CREATED INVENTOR DRAWING	8/13/2007	AGAGER
E	070169	REMOVED '-' OR BLANK SPACE FROM REVISIONS	2/19/2008	AGAGER

K100-00211




ITEM	PART NUMBER	QTY	DESCRIPTION
23	K909-20500	1	HOSE, HYDR 8G1-8FJX 14.00"
22	K909-01701	1	ACC, BLADDER OIL SVC 3K PSI 1 QT 1/2-14 NPT
21	K902-01901	2	BRNG, SHPERICAL 1.500X2.750"
20	K200-02150	1	CYL, HYDR 4.00 X 3.00", 24"
19	K200-02074	1	PIN, CLEVIS, CYLINDER END 24"
18	K200-02073	1	PLATE, MOUNT, ACCUM/HYD CYL 24"
17	K200-02070	1	PIN, CLEVIS, ROD END 24"
16	K200-02069	1	END, CYLINDER ROD 24"
15	K200-02065	2	CLEVIS, ROD END 24"
14	K200-00078	1	BRACKET, ACCUMULATOR 5.50"
13	66445800	2	WASHER, LOCK HELICAL 5/8"
12	66445200	6	WASHER, LOCK HELICAL 1/2"
11	66443800	3	WASHER, LOCK HELICAL 5/16"
10	66405800	2	WASHER, FLAT 5/8" WIDE TYPE A
9	66108200	1	NUT, HEX JAM 1.25-12
8	66083800	2	NUT, HEX 5/16-18
7	62585822	2	HHCS, 5/8-11 X 1.00"
6	62585255	4	HHCS, 1/2-13 X 5.00"
5	62585222	2	HHCS, 1/2-13 X 1.00"
4	62583828	1	HHCS, 5/16-18 X 1.50"
3	62583815	2	HHCS, 5/16-18 X 5/8"
2	53059156	2	CONN, HYDR 8MB-8MJ45
1	53055155	2	ELBOW, HYDRAULIC 90 DEG 6801-06-06

Parts List

- NOTES:
- DO NOT SCALE FROM DRAWING.
 - TWO PIECES REQUIRED PER K000-02069/70: ROLLER MILL ASSY, 24 X 48" LH/RH OIL SEED.
 - TWO PIECES REQUIRED PER K000-02180: ROLLER MILL ASSY, 24 X 36" RH CEREAL.
 - NITROGEN PRECHARGE ACCUMULATORS TO 40% OF OPERATING PRESSURE, APPROXIMATELY 400 PSI [28.1 kg/sq cm].
 - ALTERNATIVE UNITS [X.X] IN MILLIMETERS.

This drawing is the property of the A.T. Ferrell Company, Inc and must be returned immediately upon request. No part of this drawing may be reproduced, stored in a retrieval system or transmitted in any form or by any means, without prior written consent of the A.T. Ferrell Company, Inc

CAD				
NO MANUAL CHANGES				
TOLERANCES EXCEPT AS NOTED		DIVISION OF A. T. FERRELL COMPANY		
DECIMAL: xxx ± .005 xx ± .030	FINISH: NONE	SCALE: 0.19:1	DRAWN BY: dmjohnson	APPROVED BY: DMJ
FRACTIONAL: ± 1/32	TITLE: ROLL TENSION ASSY, HYDAC 24"			
ANGULAR: ± 1/2~	DATE: 6/26/2005	SIZE: B	PART NUMBER: K100-00211	SHEET: 1 of 1

2

1

