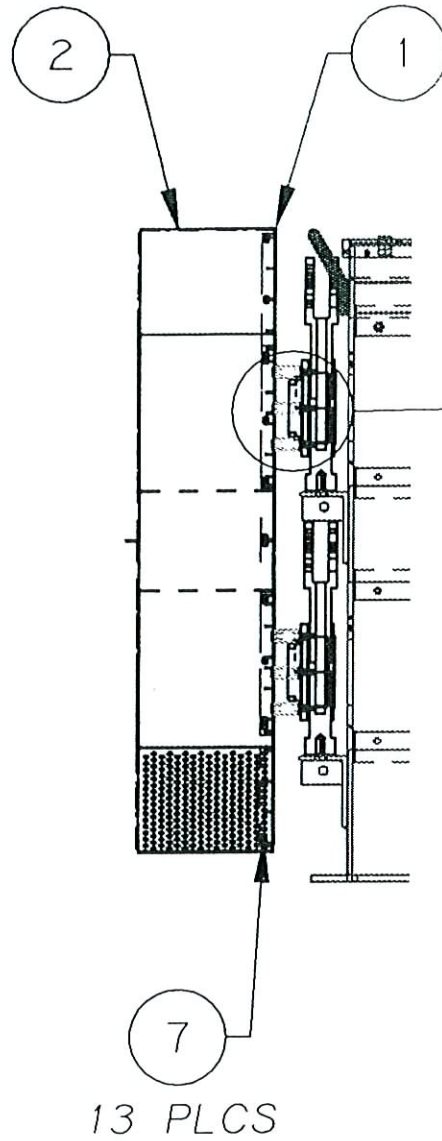
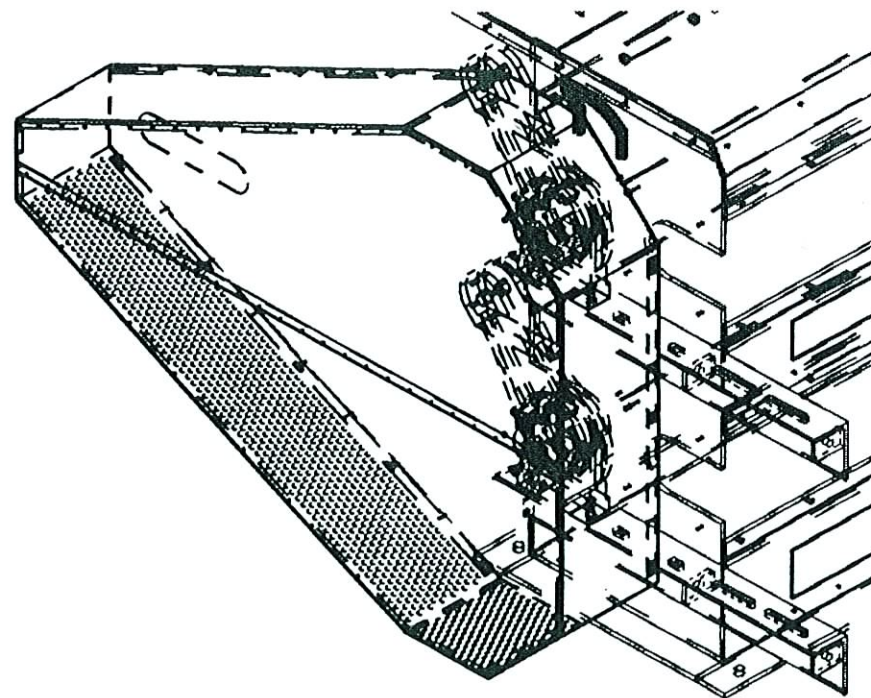
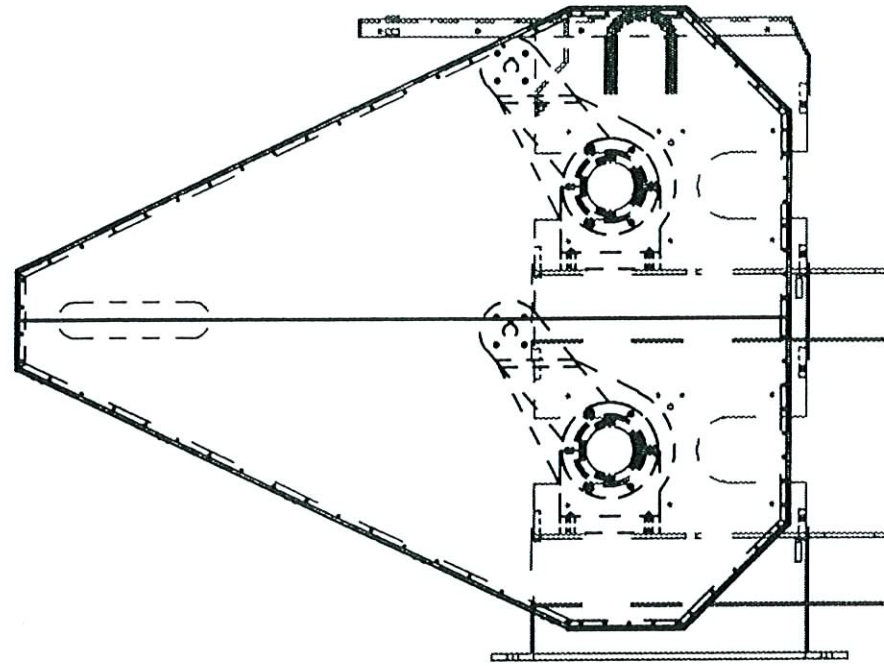


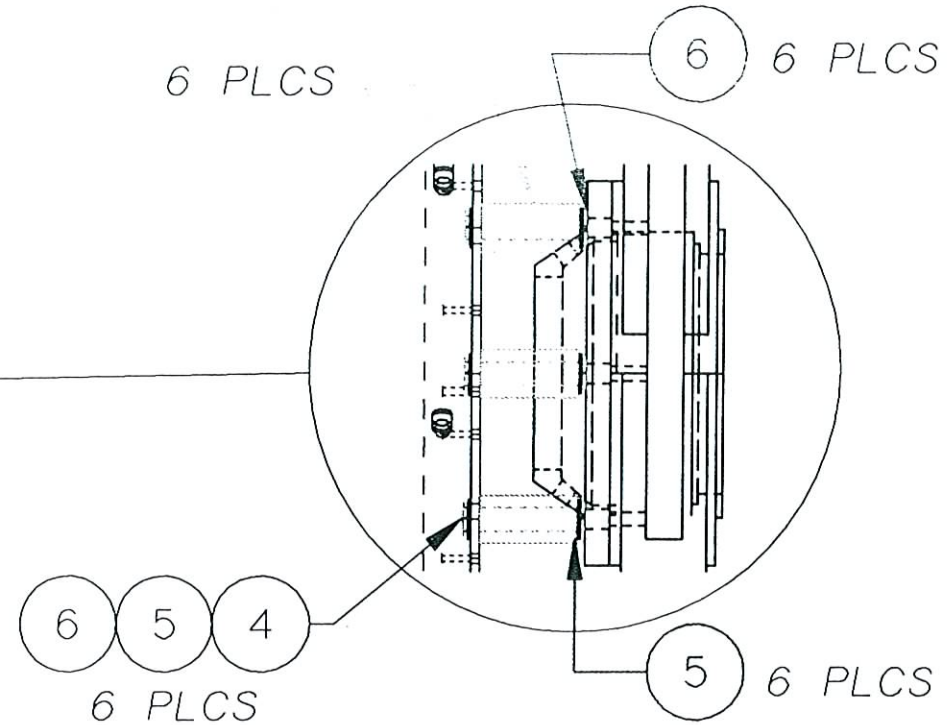
NOTES:

1.) DO NOT SCALE DRAWING



13 PLCS

PERFORATED HOLES
REMOVED FROM FACE
OF COVER FOR CLARITY



7	65683812	13	5/16-12 X 1/2 HX WSH HD T/C SCW
6	66444400	12	3/8 LOCK WASHER
5	66394400	12	3/8 FLAT WASHER
4	62584446	6	3/8-16 X 3-1/2 HHCS
	K200-04339	6	GUARD, DIFF SCW SPACER
2	K200-02846	1	CVR ASSY, LH DV GD-10" 2HI
1	K200-02840	1	BK PLT ASSY, LH DV GD-10" 2HI

ITEM	PART NO.	QTY	DESCRIPTION
------	----------	-----	-------------

CAD

NO MANUAL
CHANGES

Tolerances
(EXCEPT AS
NOTED)

DECIMAL
.XXX ± .005
.XX ± .030

FRACTIONAL
± 1/32

ANGULAR
± 1/2°



A DIVISION OF B.A.I.C. SINCE 1869 BLUFFTON, INDIANA, U.S.A.

FINISH: NONE

SCALE
1/16

DRAWN BY: DJ
APPROVED BY: -

TITLE
ASSY, DV GD-10" 2HI LH 37.6-43.2

DATE
1/30/96

SIZE
B

DRAWING NO.
K100-01757

SECRET
1 OF 1

SYM	ECN/NPR NO.	DATE	DESCRIPTION OF CHANGE	DR	CK
-	K950198	1/30/96	RELEASE	DJ	-