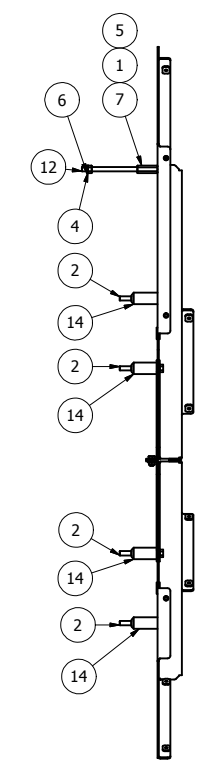
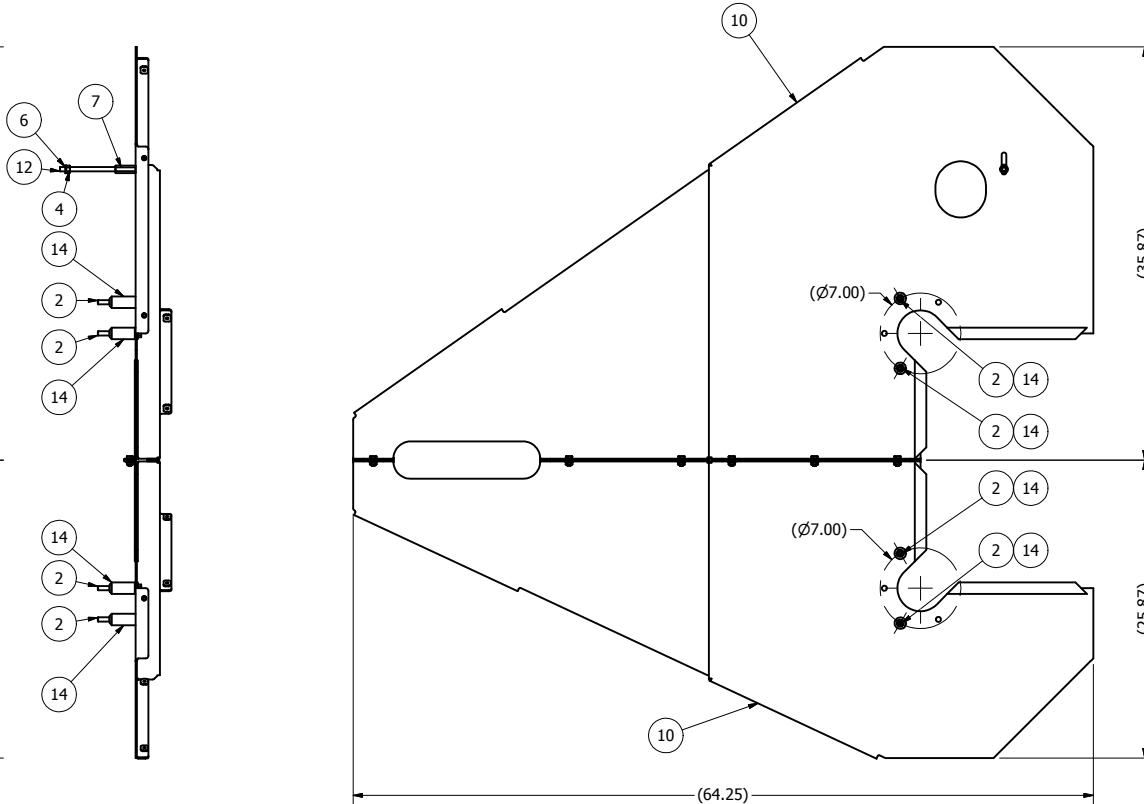
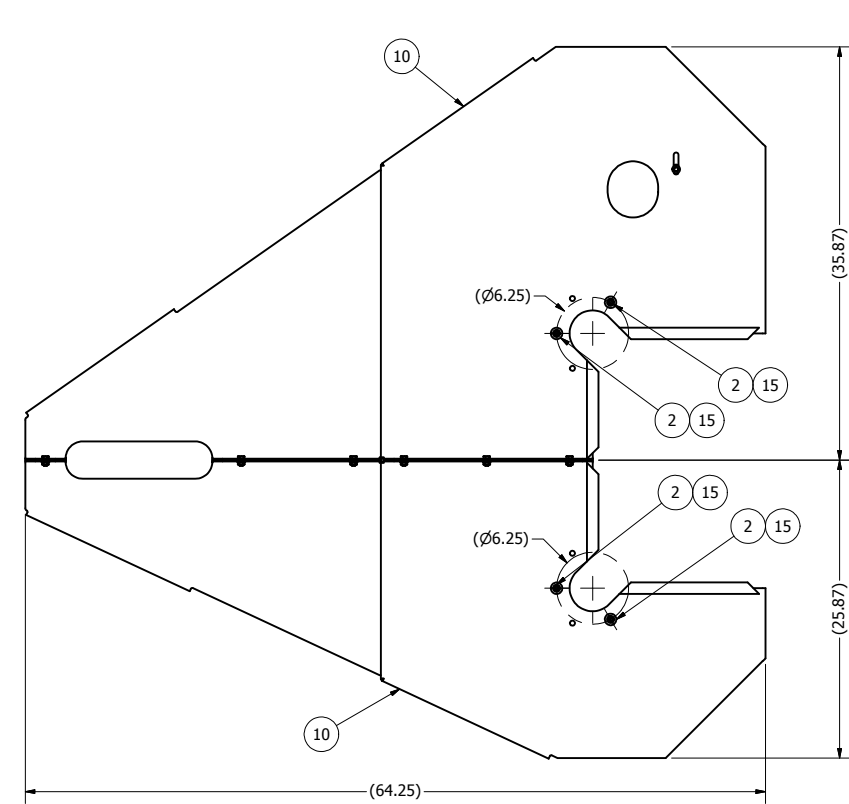
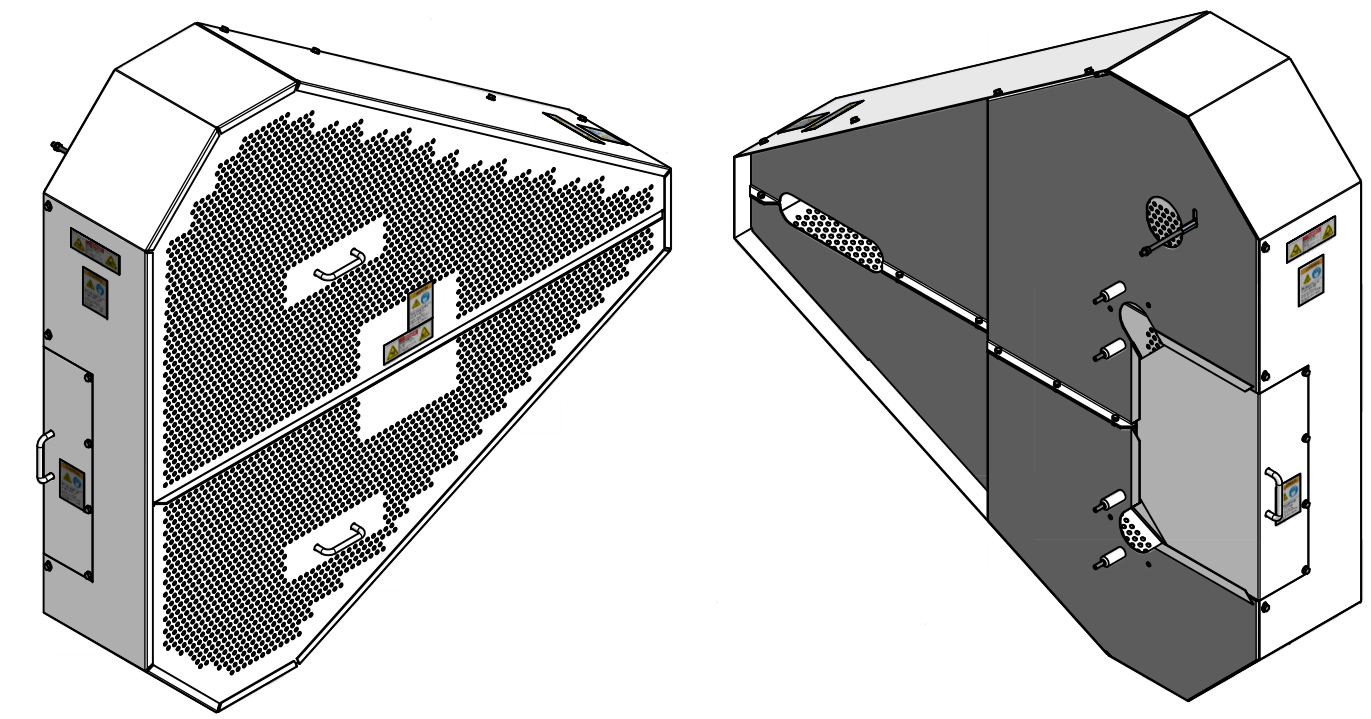
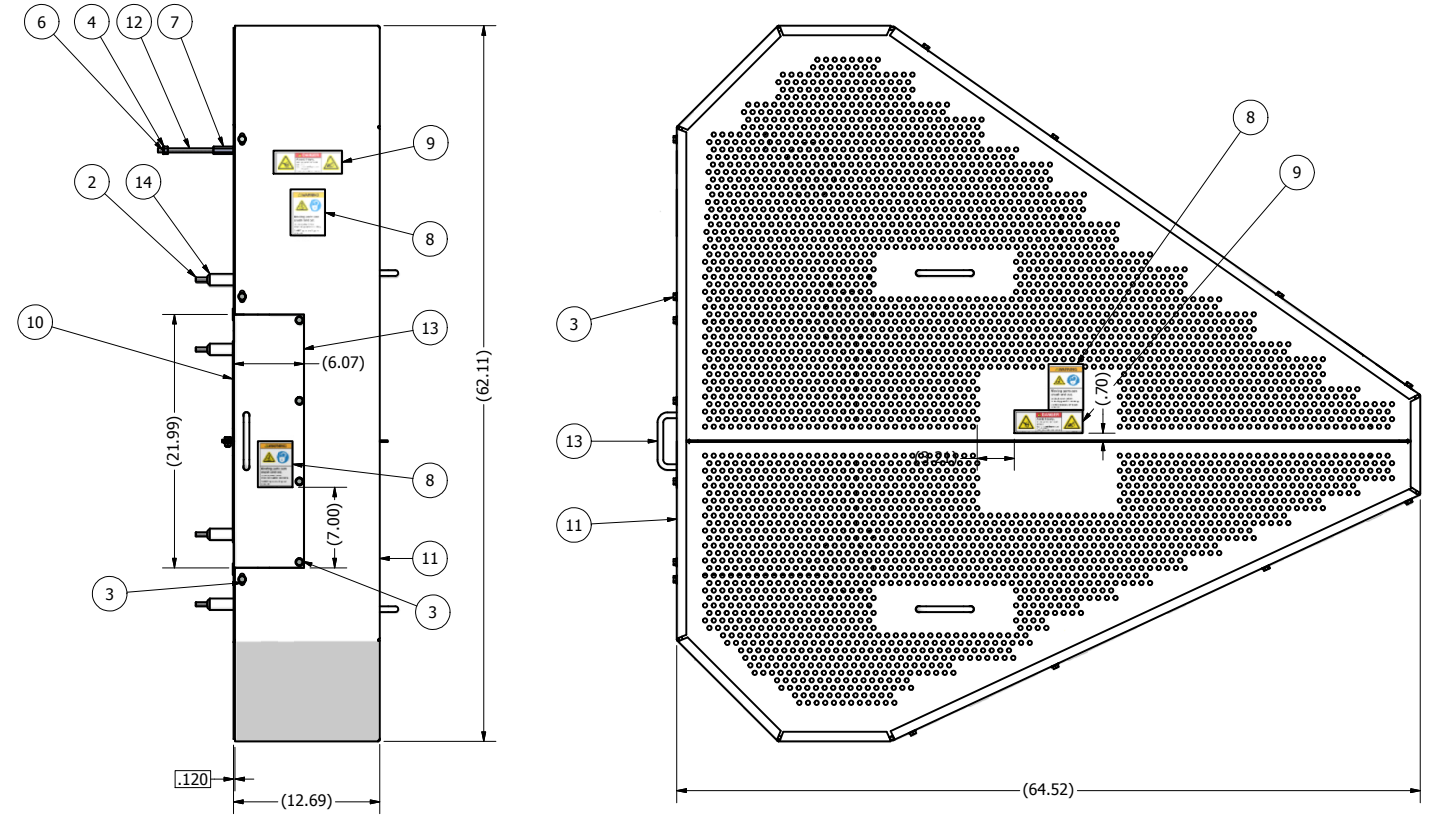


REV	ECN	DESCRIPTION	DATE	APPROVED
A	K990013	RELEASED	3/3/1999	SC
B	K010045	JOGGLE BK PLT, ADD UPPER STAND OFF	4/19/2001	SC
C	K020002	CHG. WRAPPER WIDTH FROM 11.00"	1/17/2002	RR
D	K080189	REDRAWN IN INVENTOR	5/20/2009	PG



- NOTES:
- DO NOT SCALE FROM DRAWING.
  - ONE PIECE REQUIRED PER K000-01250: ROLLER MILL ASSY, 2HI, RH RF 1.5:1 10 X 12".
  - ONE PIECE REQUIRED PER K000-01252: ROLLER MILL ASSY, 2HI, RH RF 1.5:1 10 X 24".
  - ONE PIECE REQUIRED PER K000-01304: ROLLER MILL ASSY, 2HI, RH SCR 1.5:1 10 X 36".
  - ONE PIECE REQUIRED PER K000-01314: ROLLER MILL ASSY, 2HI RH RF 10 X 36".

ITEM	PART NUMBER	QTY	DESCRIPTION
14	K200-04339	4	SPACER, GUARD, 2.25" 10"
13	K200-02889	1	DOOR WLDMT, DRIVE GUARD, 2 HI, 10"
12	K200-02878	1	STUD, THRD HR 3/8-16 X 5.50"
11	K200-02861	1	COVER WLDMT, DRIVE GUARD, 2 HI RH RF, 10"
10	K200-02855	1	BACK PLATE WLDMT, DRIVE GD, 2HI RH RF, 10"
9	80006509	3	DECAL, DANGER, KEEP HANDS CLEAR
8	80003643	4	DECAL, WARNING, BELT & CHAIN
7	70010013	1	CPLG, STL HEX 3/8-16 X 1.75"
6	66444400	6	WASHER, LOCK HELICAL 3/8"
5	66404400	1	WASHER, FLAT 3/8" NARROW TYPE A
4	66084400	1	NUT, HEX 3/8-16
3	62613817	15	SCW, HX WSHR HD CAP 5/16-18 X 3/4"
2	62584446	4	HHCS, 3/8-16 X 3.50"
1	62584417	1	HHCS, 3/8-16 X 3/4"

This drawing is the property of the A.T. Ferrell Company, Inc and must be returned immediately upon request. No part of this drawing may be reproduced, stored in a retrieval system or transmitted in any form or by any means, without prior written consent of the A.T. Ferrell Company, Inc.

**CAD**  
NO MANUAL CHANGES  
TOLERANCES EXCEPT AS NOTED

**Ferrell-Ross**  
MATERIALS PROCESSING & RECOVERY  
SINCE 1869  
DIVISION OF A. T. FERRELL COMPANY  
BLUFFTON, INDIANA - USA

DECIMAL: .005	FINISH: NONE	SCALE: 0.12:1	DRAWN BY: dmjohnson	APPROVED BY: DMJ
FRACTIONAL: 1/32	TITLE: GUARD ASSY, DRIVE, 2 HI RH RF 37.6-43.2, 10"			
ANGULAR: ± 1/2	DATE: 3/5/2009	SIZE: D	PART NUMBER: K100-01760	SHEET: 1 of 1

BACK PLATE ASSY, 215 BEARING HOUSING MOUNT SHOWN

BACK PLATE ASSY, 217 BEARING HOUSING MOUNT SHOWN