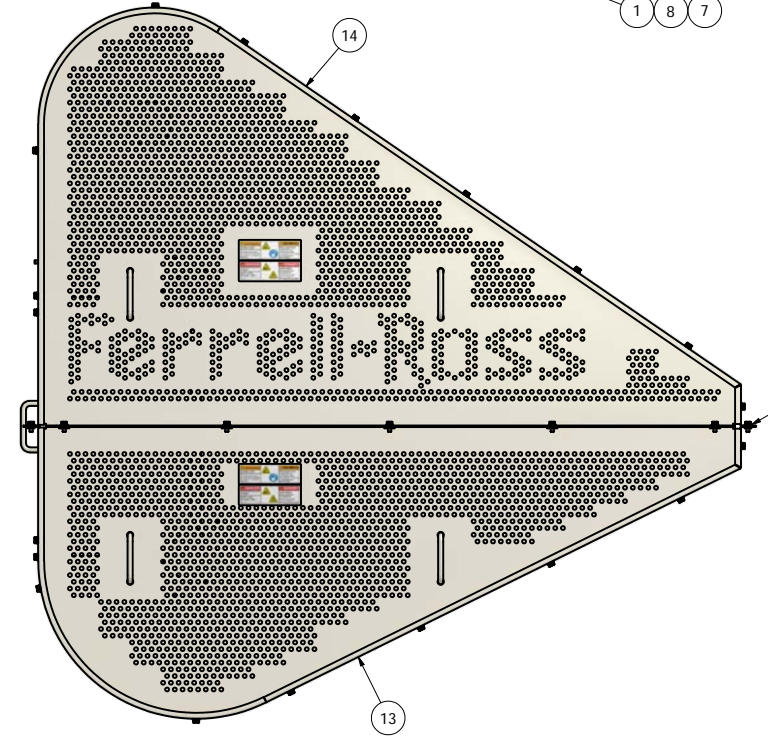
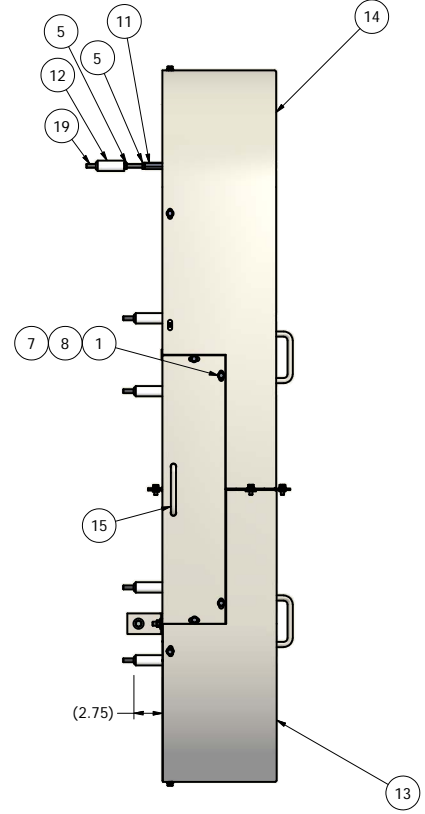
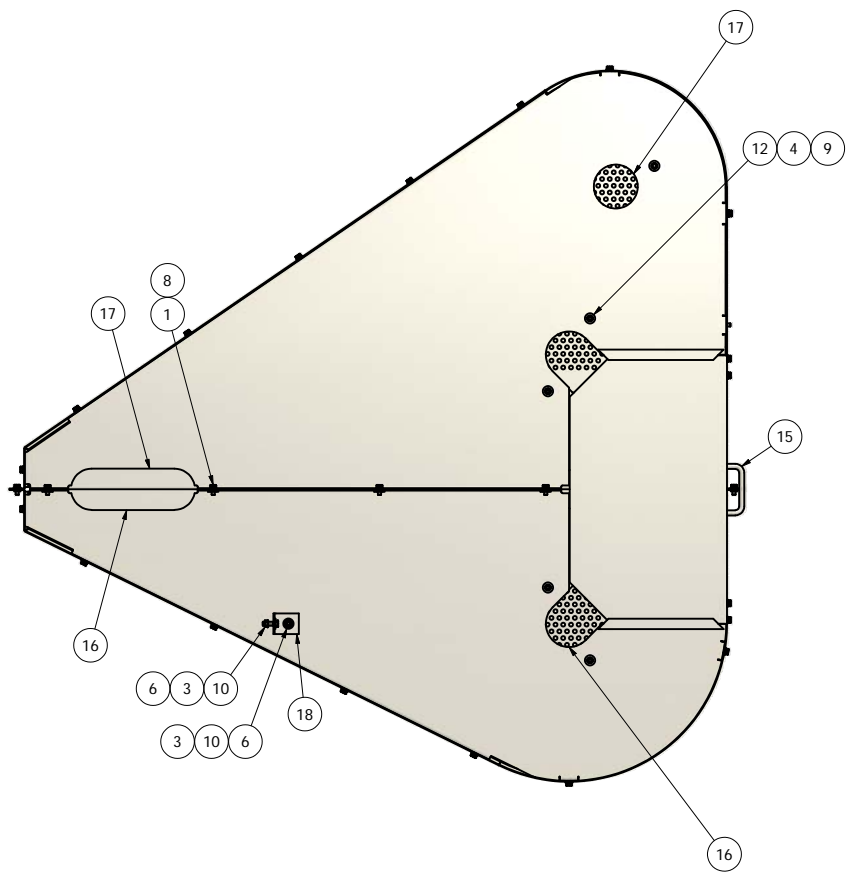
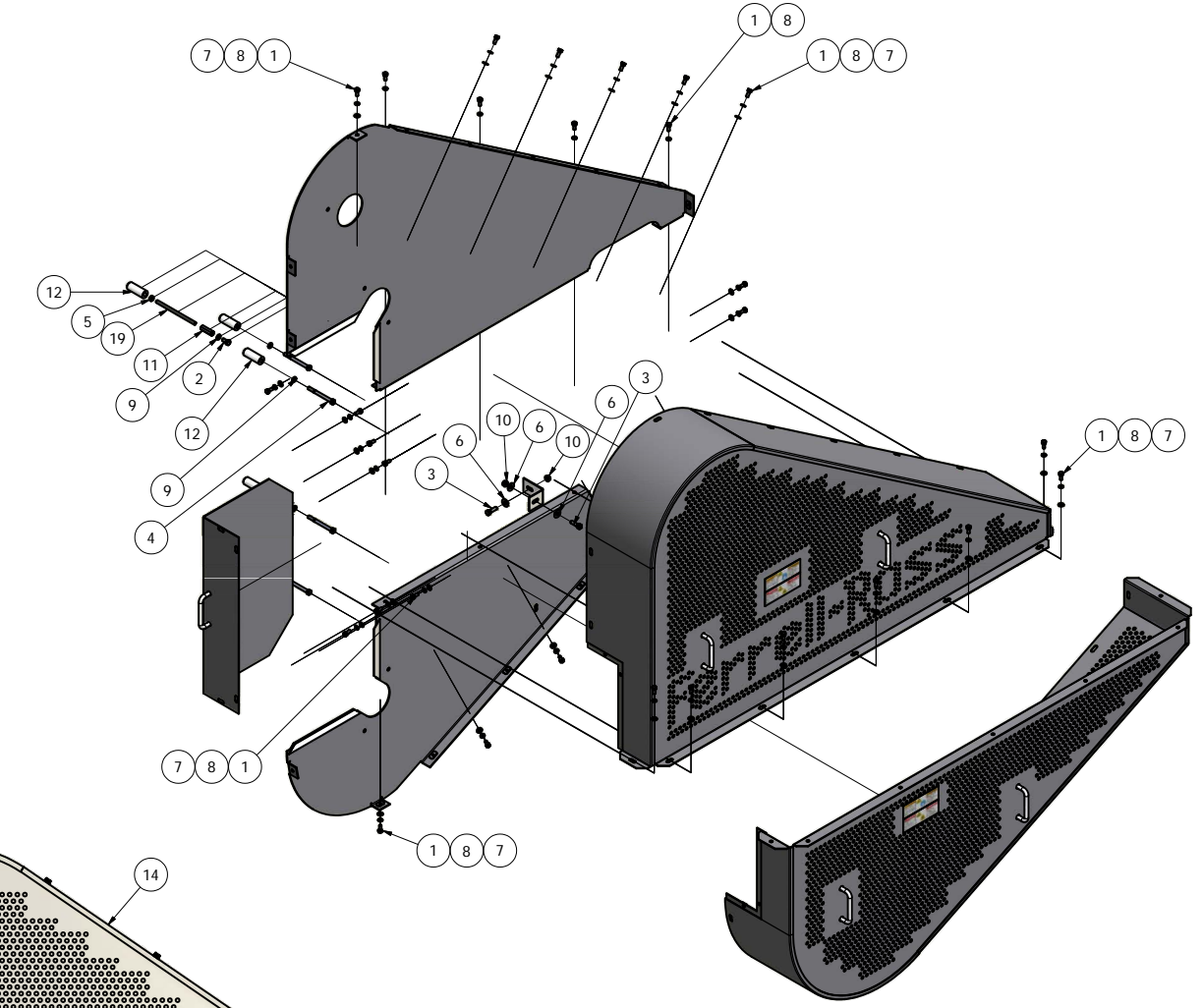
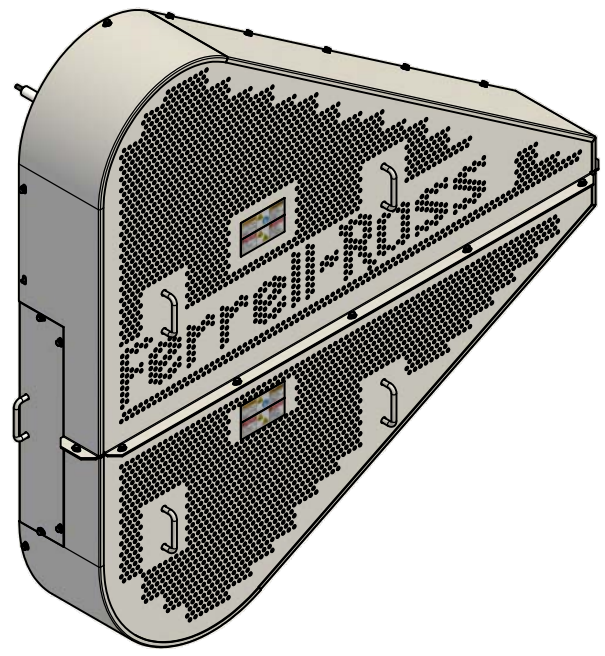


REVISION HISTORY				
REV	ECN	DESCRIPTION	DATE	APPROVED
A	K110126	REDRAWN INVENTOR	6/16/2011	dcclark



ITEM	PART NUMBER	QTY	DESCRIPTION
19	K200-09055	1	STUD, THRD HR 3/8-16 X 5.50"
18	K200-09003	1	STRAP, DRIVE GUARD, 2HI, 12"
17	K200-08122	1	GUARD BACK PLATE WLDMT, UPPER, 2 HI RF 1.5:1, 12 X 52"
16	K200-08119	1	BACK PLATE WLDMT, 1-2 DRIVE GUARD 2 HI 12"
15	K200-08113	1	DOOR WLDMT, DRIVE GUARD, 2HI 9C, 12"
14	K200-08013	1	GUARD ASSY, DRIVE, UPPER, 2 HI RF 1.5:1, 12 X 52"
13	K200-08005	1	COVER WLDMT, DRV GD, LWR 2HI RH VF 9C 44.1", 12"
12	K200-04344	5	SPACER, GUARD, 2.75" 12"
11	70010013	1	CPLG, STL HEX 3/8-16 X 1.75"
10	66784400	2	NUT, HEX SERR LOCK 3/8-16
9	66444400	5	WASHER, LOCK HELICAL 3/8"
8	66443800	31	WASHER, LOCK HELICAL 5/16"
7	66403800	27	WASHER, FLAT, 5/16" TYPE A
6	66394400	3	WASHER, FLAT 3/8" WIDE TYPE A
5	66104400	2	NUT, HEX JAM 3/8-16
4	62584451	4	HHCS, 3/8-16 X 4.00"
3	62584426	2	HHCS, 3/8-16 X 1.25"
2	62584417	1	HHCS, 3/8-16 X 3/4"
1	62583817	31	HHCS, 5/16-18 X .75"

NOTES:
1. DO NOT SCALE FROM DRAWING.

This drawing is the property of the A.T. Ferrell Company, Inc. and must be returned immediately upon request. No part of this drawing may be reproduced, stored in a retrieval system or transmitted in any form or by any means, without prior written consent of the A.T. Ferrell Company, Inc.	CAD NO MANUAL CHANGES	 DIVISION OF A. T. FERRELL COMPANY SINCE 1869 BLUFFTON, INDIANA - USA		
	TOLERANCES EXCEPT AS NOTED			
	DECIMAL: .xxx ± .005 xx ± .030	FINISH: TOUCH UP PAINT	SCALE: 0.11:1	DRAWN BY: DCCLARK
	FRACTIONAL: ± 1/32 ANGULAR: ± 1/2	TITLE: GUARD ASSY, DRIVE, 2 HI RF 1.5:1, 12 X 52"	DATE: 6/13/2011	SIZE: D PART NUMBER: K100-01778 SHEET: 1 of 1