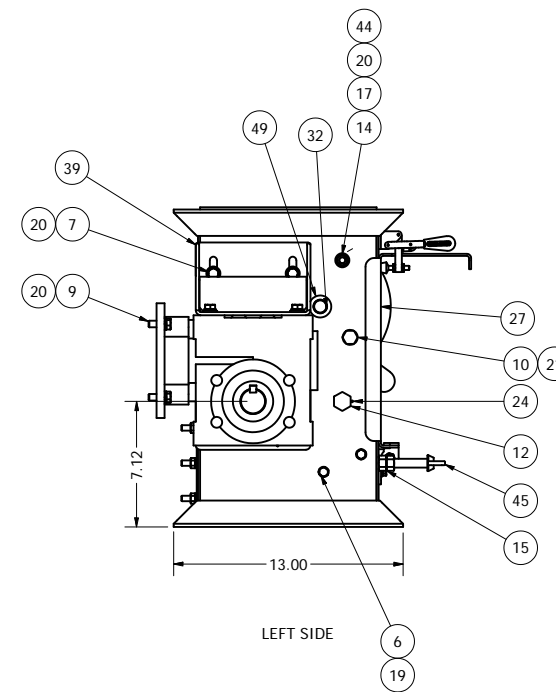
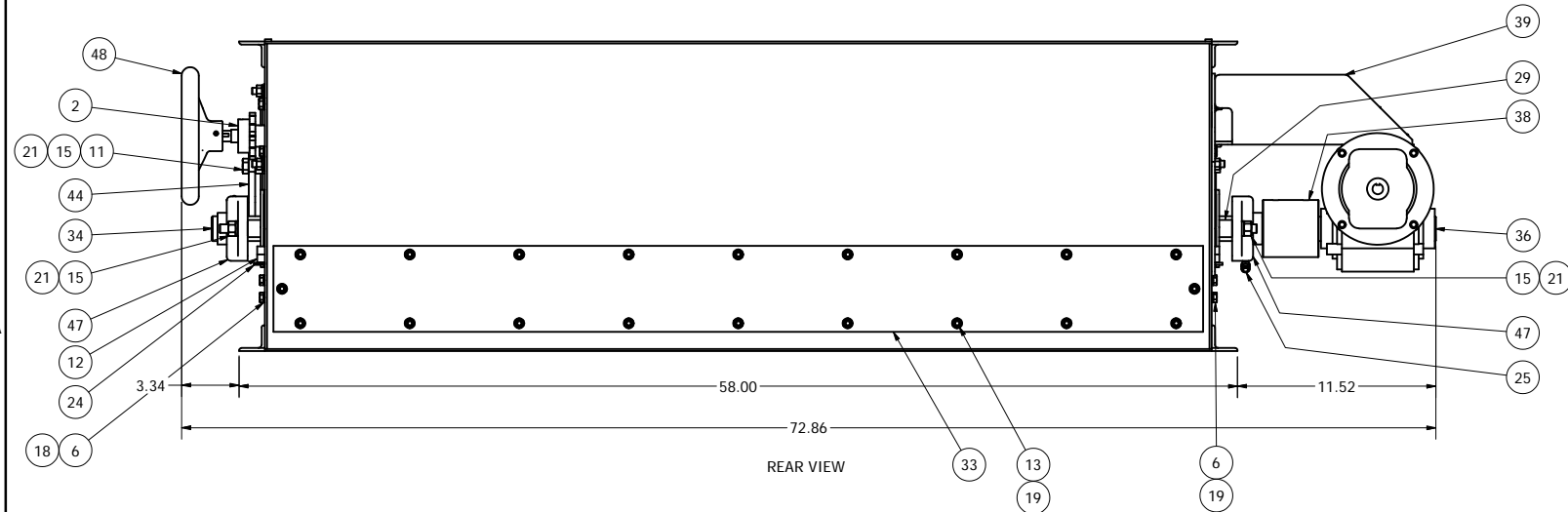
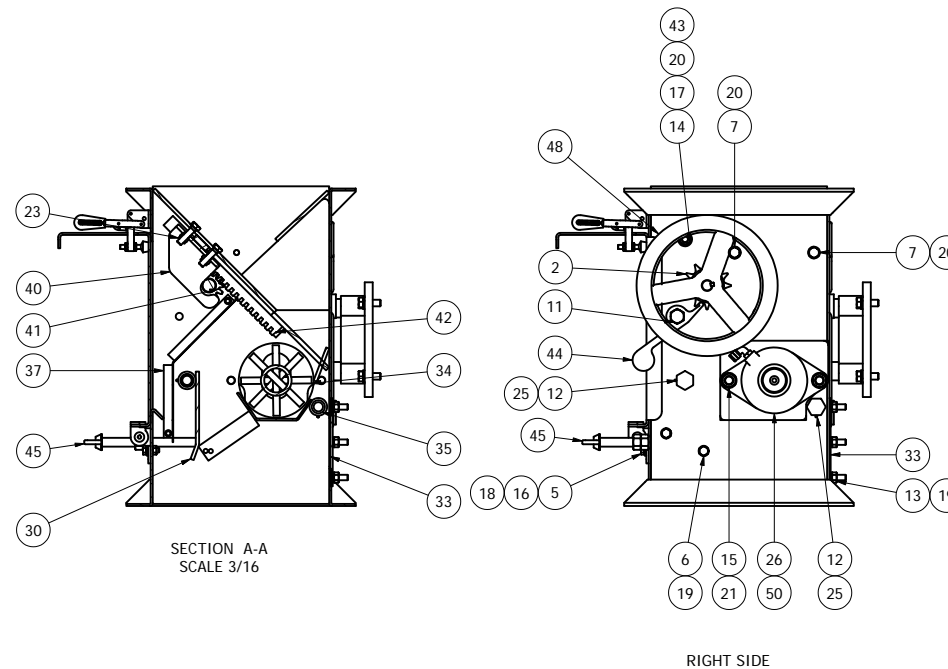
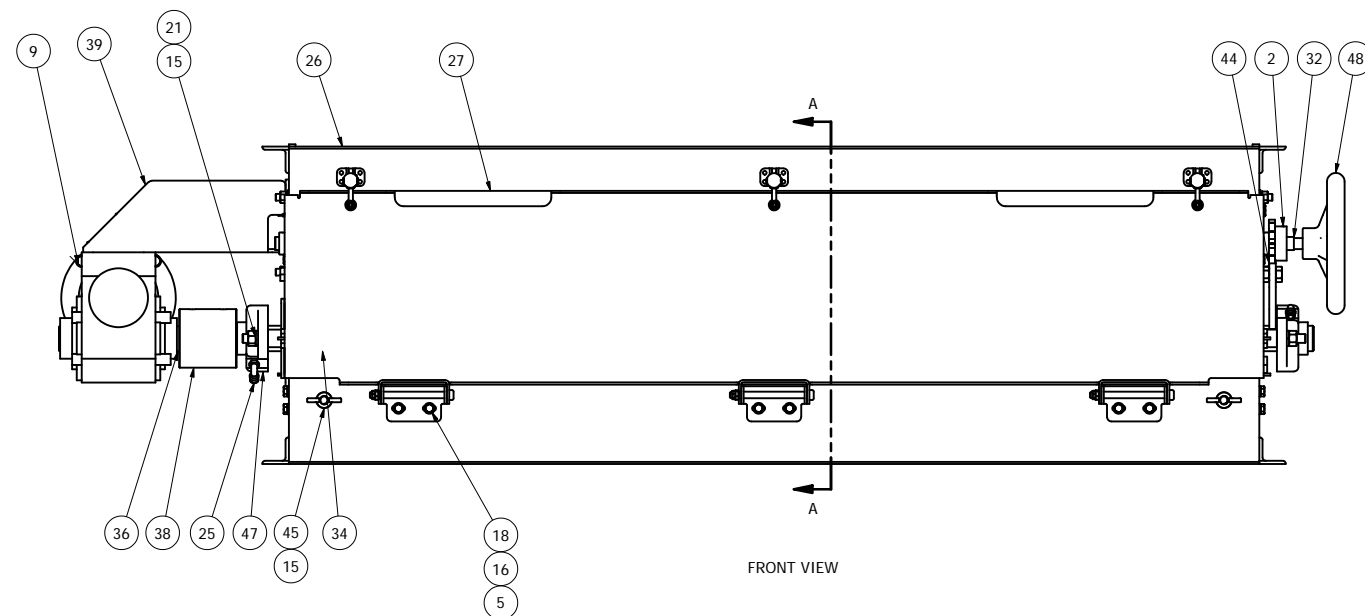


2 REVISION HISTORY

REV	ECN	DESCRIPTION	DATE	APPROVED
A	K010075	RELEASED	8/6/2001	DMJOHNSON
B	K010075	UPDATED	1/16/2002	PGGALEA
C	K070147	REDRAWN ON INVENTOR & UPDATED	12/6/2007	PGGALEA
D	070169	REMOVED "-" OR BLANK SPACE FROM REVISIONS	2/20/2008	AGAGER
E	K090103	UPDATED ASSY, 67253800 WAS QTY (4), ADDED (1) K100-02440, REMOVED (3) 70004501, (2) K200-07416, (1) K200-07530, AND (3) K200-11050	4/7/2009	SH
F	K100093	40002616 WAS 40002612, ADD 66107100, DEL 67053815(4), 6X 67053817 WAS 2X, 10X 67104400 WAS 8X	9/1/2010	dmjohnson
G	K110107	Delete jam nut (66107100), replace hand wheel (K905-00200) w/hand wheel (K905-00103), add key (49020420), & replace keys (49000816) w/key (49020816)	5/24/2011	jmoss
H	K110166	UPDATED ASSEMBLY	7/21/2011	SH

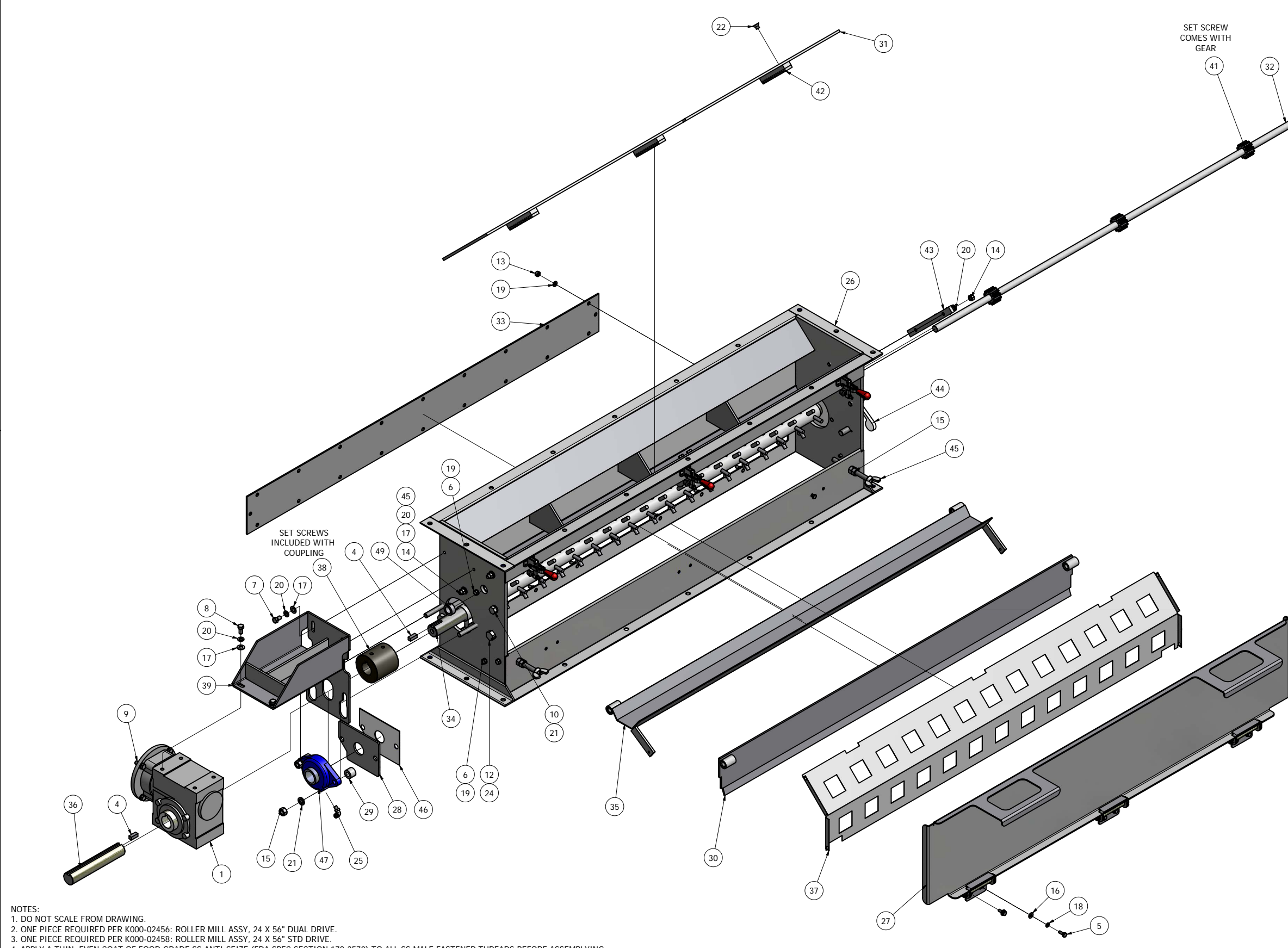


ITEM	PART NUMBER	QTY	DESCRIPTION
40	K200-07418	1	SUPPORT, SLIDE GATE SHAFT
49	K908-11913	3	COLLAR, LOCK 303SS 20mm X 31.8 mm X 14 mm
48	K905-00103	1	HANDWHEEL, AL, 8" OD, .625 ID W/ SET SCREW
47	K902-04601	2	BRNG, FLANGE 2 HOLE, 1.438"
46	K201-05351	2	SEAL, DUST, BEARING SPACER, FEED ROLL
45	K200-11006	2	SCREW WLDMT, DEFLECTOR ADJ, PIN FEEDER
44	K200-11004	1	LATCH, SLIDE GATE, PIN FEEDER
43	K200-10384	2	GUIDE WLDMT, SLIDE GATE, PIN FDR
42	K200-10383	3	RACK, GEAR 5" SLIDE GATE, PIN FDR
41	K200-10381	3	GEAR, PINION, 8P 12T 3/4" BORE
39	K200-06577	1	REDUCER MOUNT WLDMT, PIN FEEDER 18/24"
38	K200-05898	1	COUPLING, PIN FEEDER 18/20"
37	K200-05893	1	GUARD, PIN FEEDER 56"
36	K200-05892	1	SHAFT, COUPLING 1.438", PIN FEEDER
35	K200-05890	1	TROUGH WLDMT, PIN FDR SS 24 X 56"
34	K200-05882	1	SHAFT WLDMT, PIN FEEDER, RDCR DRV 24 X 56"
33	K200-05876	1	COVER, STEAM VENT, PIN FEEDER 24 X 56"
32	K200-05873	1	SHAFT, SLIDE GATE, PIN FEEDER 24 X 56"
31	K200-05872	1	GATE, SLIDE, PIN FEEDER 56"
30	K200-05869	1	BAFFLE WLDMT, PIN FEEDER, 24 X 56"
29	K200-00786	4	SPACER, SS .75" PIN FEEDER
28	K200-00784	2	SPACER, BEARING, FEED ROLL
27	K100-02440	1	DOOR WLDMT, FRONT FEEDER, 56"
26	K100-00194	1	HOUSING WLDMT, PIN FDR, 24 X 56"
25	70012050	2	CPLG, ELBOW 90 1/8-27M NPT X 1/4" TBG
24	70008508	4	PIN, ROLL 1/8 X 1.00"
23	67253800	2	NUT, HEX FLEXLOC 18-8 SS, 5/16-18
22	67184412	6	FHCS, 18-8 SS 3/8-16 X 1/2"
21	67125200	6	WASHER, LOCK HELICAL 18-8 SS, 1/2"
20	67124400	16	WASHER, LOCK HELICAL 18-8 SS 3/8"
19	67123800	26	WASHER, LOCK HELICAL 18-8 SS 5/16"
18	67123300	6	WASHER, LOCK HELICAL 18-8 SS 1/4"
17	67104400	10	WASHER, FLAT 18-8 SS TYPE A 3/8"
16	67103300	6	WASHER, FLAT 18-8 SS TYPE A 1/4"
15	67065200	7	NUT, HEX 18-8 SS 1/2-13
14	67064400	4	NUT, HEX 18-8 SS 3/8-16
13	67063800	20	NUT, HEX 18-8 SS, 5/16-18
12	67055828	4	HHCS, 18-8 SS 5/8 -11 X 1.50"
11	67055228	1	HHCS, 18-8 SS 1/2-13 X 1.50"
10	67055212	1	HHCS, 18-8 SS 1/2-13 X 1/2"
9	67054422	4	HHCS, 18-8 SS 3/8-16 X 1.00"
8	67054417	4	HHCS, 18-8 SS 3/8-16 X 3/4"
7	67054415	4	HHCS, 18-8 SS 3/8-16 X 5/8"
6	67053817	6	HHCS, 18-8 SS 5/16-18 X 3/4"
5	67053317	6	HHCS, 18-8 SS, 1/4-20 X .75"
4	49020816	2	KEY, SQUARE 18-8 SS 3/8 X 1.00
3	49020420	1	KEY, SQUARE 18-8 SS 3/16 X 1.25"
2	4614206	1	SPRKT, 50BS12 X .75"
1	40002616	1	GEAR REDUCER, 15:1 56C/1750

- NOTES:
- DO NOT SCALE FROM DRAWING.
 - ONE PIECE REQUIRED PER K000-02456: ROLLER MILL ASSY, 24 X 56" DUAL DRIVE.
 - ONE PIECE REQUIRED PER K000-02458: ROLLER MILL ASSY, 24 X 56" STD DRIVE.
 - APPLY A THIN, EVEN COAT OF FOOD GRADE SS ANTI-SEIZE (FDA SPEC SECTION 178.3570) TO ALL SS MALE FASTENER THREADS BEFORE ASSEMBLYING.


		DIVISION OF A.T.FERRELL COMPANY 1440 S ADAMS ST BLUFFTON, INDIANA 46714 - USA PH: 260-824-3400 FAX: 260-824-5463		This drawing is the property of the A.T. Ferrell Company, Inc and must be returned immediately upon request. No part of this drawing may be reproduced, stored in a retrieval system or transmitted in any form or by any means, without prior written consent of the A.T. Ferrell Company, Inc.	
TOLERANCES EXCEPT AS NOTED DECIMAL: .XX ± .030 .XXX ± .005 .XXXX ± .001		TITLE: PIN FEEDER ASSY, REDUCER DRIVE, 24 X 56"		DRAWN BY: jmoss	
FINISH: NONE		SCALE: 0.19:1		DRAWN DATE: 12/11/2007	
SHEET: 1 OF 2		SIZE: D		PART NUMBER: K100-02419	
CAD NO MANUAL CHANGES				REV: H	

REVISION HISTORY				
REV	ECN	DESCRIPTION	DATE	APPROVED
A	K010075	RELEASED	8/6/2001	DMJOHNSON
B	K010075	UPDATED	1/16/2002	PGGALEA
C	K070147	REDRAWN ON INVENTOR & UPDATED	12/6/2007	PGGALEA
D	070169	REMOVED "-" OR BLANK SPACE FROM REVISIONS	2/20/2008	AGAGER
E	K090103	UPDATED ASSY, 67253800 WAS QTY (4), ADDED (1) K100-02440, REMOVED (3) 70004501, (2) K200-07416, (1) K200-07530, AND (3) K200-11050	4/7/2009	SH
F	K100093	40002616 WAS 40002612, ADD 66107100, DEL 67053815(4), 6X 67053817 WAS 2X, 10X 67104400 WAS 8X	9/1/2010	dmjohnson
G	K110107	Delete jam nut (66107100), replace hand wheel (K905-00200) w/hand wheel (K905-00103), add key (49020420), & replace keys (49000816) w/key (49020816)	5/24/2011	jmooss
H	K110166	UPDATED ASSEMBLY	7/21/2011	SH



ITEM	PART NUMBER	QTY	DESCRIPTION
49	K908-11913	3	COLLAR, LOCK 303SS 20mm X 31.8 mm X 14 mm
48	K905-00103	1	HANDWHEEL, AL, 8" OD .625 ID W/ SET SCREW
47	K902-04601	2	BRNG, FLANGE 2 HOLE, 1.438"
46	K201-05351	2	SEAL, DUST, BEARING SPACER, FEED ROLL
45	K200-11006	2	SCREW WLDMT, DEFLECTOR ADJ, PIN FEEDER
44	K200-11004	1	LATCH, SLIDE GATE, PIN FEEDER
43	K200-10384	2	GUIDE WLDMT, SLIDE GATE, PIN FDR
42	K200-10383	3	RACK, GEAR 5" SLIDE GATE, PIN FDR
41	K200-10381	3	GEAR, PINION, 8P 12T 3/4" BORE
40	K200-07418	1	SUPPORT, SLIDE GATE SHAFT
39	K200-06577	1	REDUCER MOUNT WLDMT, PIN FEEDER 18/24"
38	K200-05898	1	COUPLING, PIN FEEDER 18/20"
37	K200-05893	1	GUARD, PIN FEEDER 56"
36	K200-05892	1	SHAFT, COUPLING 1.438", PIN FEEDER
35	K200-05890	1	TROUGH WLDMT, PIN FDR SS 24 X 56"
34	K200-05882	1	SHAFT WLDMT, PIN FEEDER, RDCR DRV 24 X 56"
33	K200-05876	1	COVER, STEAM VENT, PIN FEEDER 24 X 56"
32	K200-05873	1	SHAFT, SLIDE GATE, PIN FEEDER 24 X 56"
31	K200-05872	1	GATE, SLIDE, PIN FEEDER 56"
30	K200-05869	1	BAFFLE WLDMT, PIN FEEDER, 24 X 56"
29	K200-00786	4	SPACER, SS .75" PIN FEEDER
28	K200-00784	2	SPACER, BEARING, FEED ROLL
27	K100-02440	1	DOOR WLDMT, FRONT FEEDER, 56"
26	K100-00194	1	HOUSING WLDMT, PIN FDR, 24 X 56"
25	70012050	2	CPLG, ELBOW 90 1/8-27M NPT X 1/4" TBG
24	70008508	4	PIN, ROLL 1/8 X 1.00"
23	67253800	2	NUT, HEX FLEXLOC 18-8 SS, 5/16-18
22	67184412	6	FHCS, 18-8 SS 3/8-16 X 1/2"
21	67125200	6	WASHER, LOCK HELICAL 18-8 SS, 1/2"
20	67124400	16	WASHER, LOCK HELICAL 18-8 SS 3/8"
19	67123800	26	WASHER, LOCK HELICAL 18-8 SS 5/16"
18	67123300	6	WASHER, LOCK HELICAL 18-8 SS 1/4"
17	67104400	10	WASHER, FLAT 18-8 SS TYPE A 3/8"
16	67103300	6	WASHER, FLAT 18-8 SS TYPE A 1/4"
15	67065200	7	NUT, HEX 18-8 SS 1/2-13
14	67064400	4	NUT, HEX 18-8 SS 3/8-16
13	67063800	20	NUT, HEX 18-8 SS, 5/16-18
12	67055828	4	HHCS, 18-8 SS 5/8 -11 X 1.50"
11	67055228	1	HHCS, 18-8 SS 1/2-13 X 1.50"
10	67055212	1	HHCS, 18-8 SS 1/2-13 X 1/2"
9	67054422	4	HHCS, 18-8 SS 3/8-16 X 1.00"
8	67054417	4	HHCS, 18-8 SS 3/8-16 X 3/4"
7	67054415	4	HHCS, 18-8 SS 3/8-16 X 5/8"
6	67053817	6	HHCS, 18-8 SS 5/16-18 X 3/4"
5	67053317	6	HHCS, 18-8 SS, 1/4-20 X .75"
4	49020816	2	KEY, SQUARE 18-8 SS 3/8 X 1.00
3	49020420	1	KEY, SQUARE 18-8 SS 3/16 X 1.25"
2	46141206	1	SPRKT, 50BS12 X .75"
1	40002616	1	GEAR REDUCER, 15:1 56C/1750

NOTES:
 1. DO NOT SCALE FROM DRAWING.
 2. ONE PIECE REQUIRED PER K000-02456: ROLLER MILL ASSY, 24 X 56" DUAL DRIVE.
 3. ONE PIECE REQUIRED PER K000-02458: ROLLER MILL ASSY, 24 X 56" STD DRIVE.
 4. APPLY A THIN, EVEN COAT OF FOOD GRADE SS ANTI-SEIZE (FDA SPEC SECTION 178.3570) TO ALL SS MALE FASTENER THREADS BEFORE ASSEMBLYING.



Ferrell-Ross
MATERIALS PROCESSING & RECOVERY

DIVISION OF
A.T. FERRELL COMPANY
 1440 S ADAMS ST
 BLUFFTON, INDIANA
 46714 - USA
 PH: 260-824-3400
 FAX: 260-824-5463

This drawing is the property of the A.T. Ferrell Company, Inc and must be returned immediately upon request.
 No part of this drawing may be reproduced, stored in a retrieval system or transmitted in any form or by any means, without prior written consent of the A.T. Ferrell Company, Inc.

TOLERANCES EXCEPT AS NOTED

DECIMAL:	FRACTIONAL:
.XX ± .030	± 1/32
.XXX ± .005	ANGULAR:
.XXXX ± .001	± 1/2°

FINISH: NONE

SCALE: 0.19:1

SHEET: 2 OF 2

SIZE: D

PART NUMBER: **K100-02419**

REV: H

DATE: 12/11/2007

DRAWN BY: jmooss

APPROVED BY: DMJ