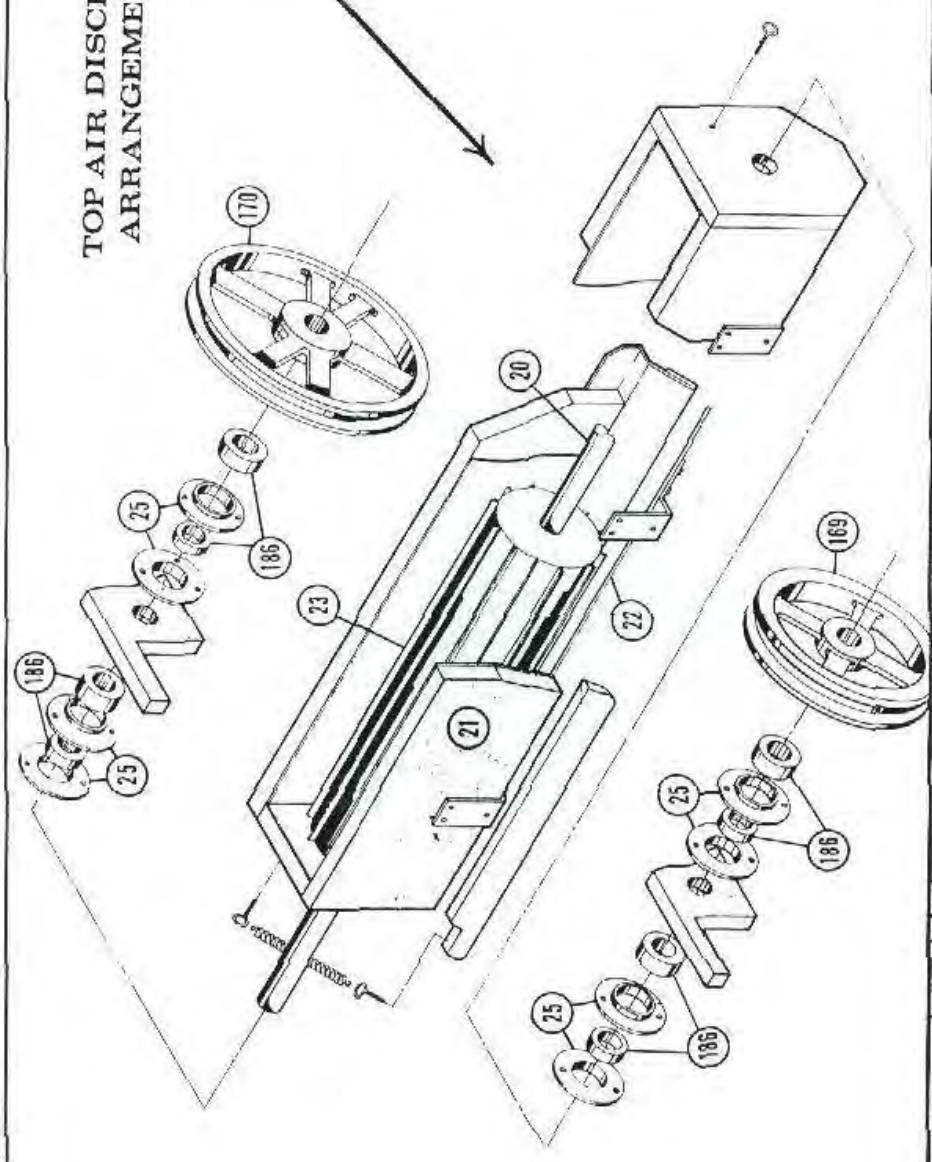


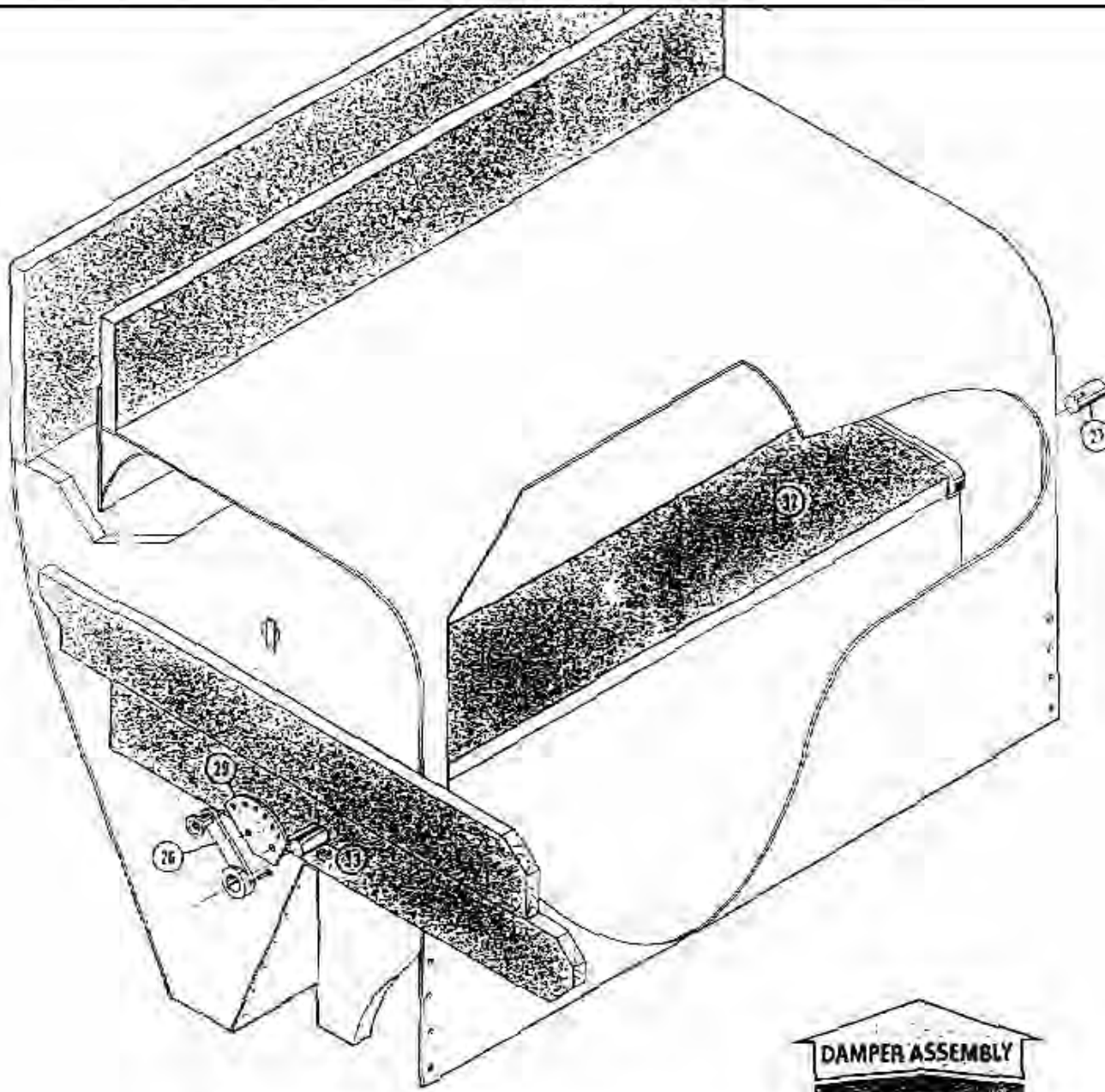
MULTI PRINT SUPPLY CO. 2500 W. 14TH ST. ST. LOUIS, MO. 63104

TOP AIR DISCHARGE ARRANGEMENT



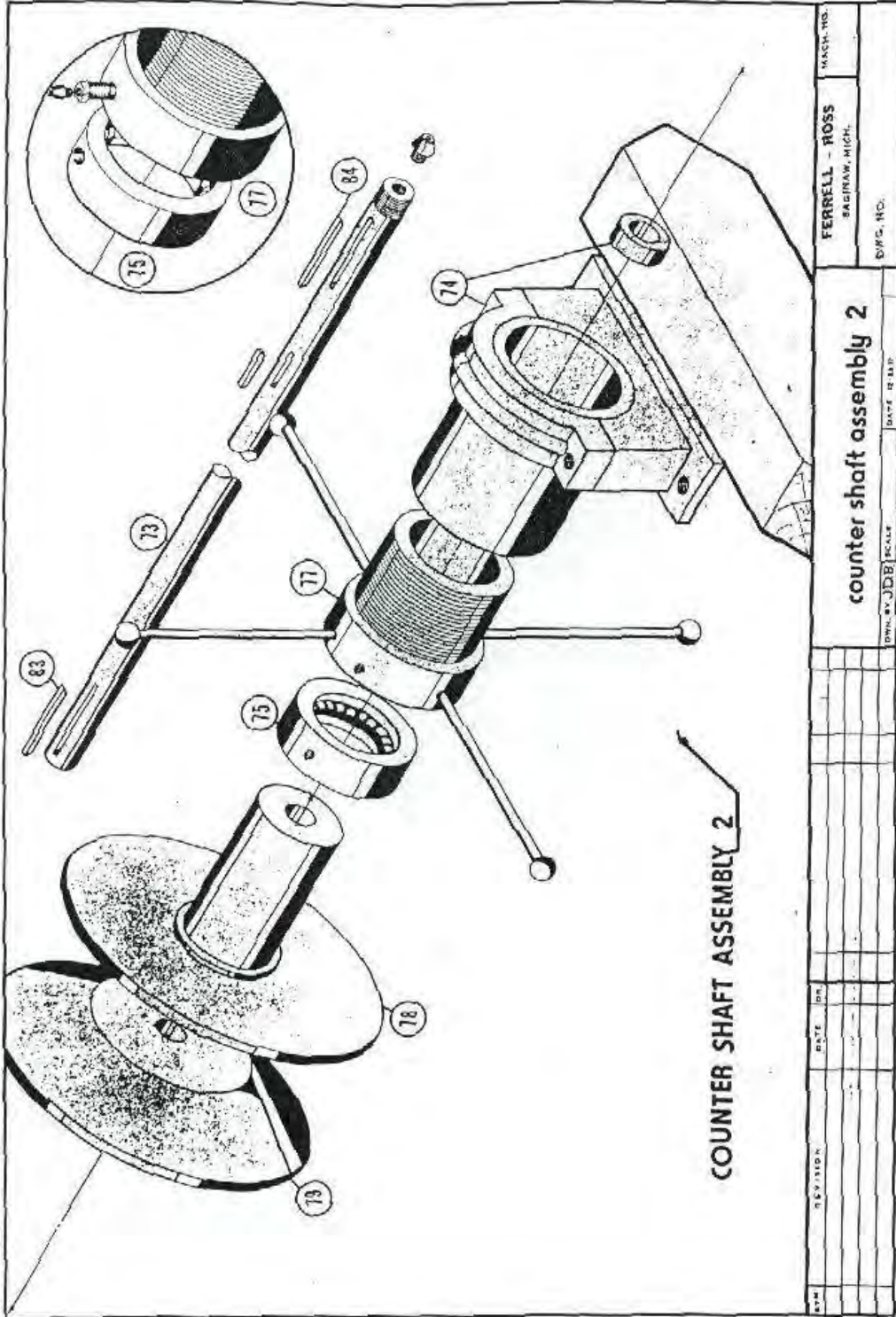
SYN.	REV.	DATE	BY	CHK	DATE	SCALE	DRAWN BY	J. B.	DATE	2-10-47	DWG. NO.		MACH. NO.	
- top air discharge arrangement														
FERRELL - ROSS														
SAGINAW, MICH.														

5



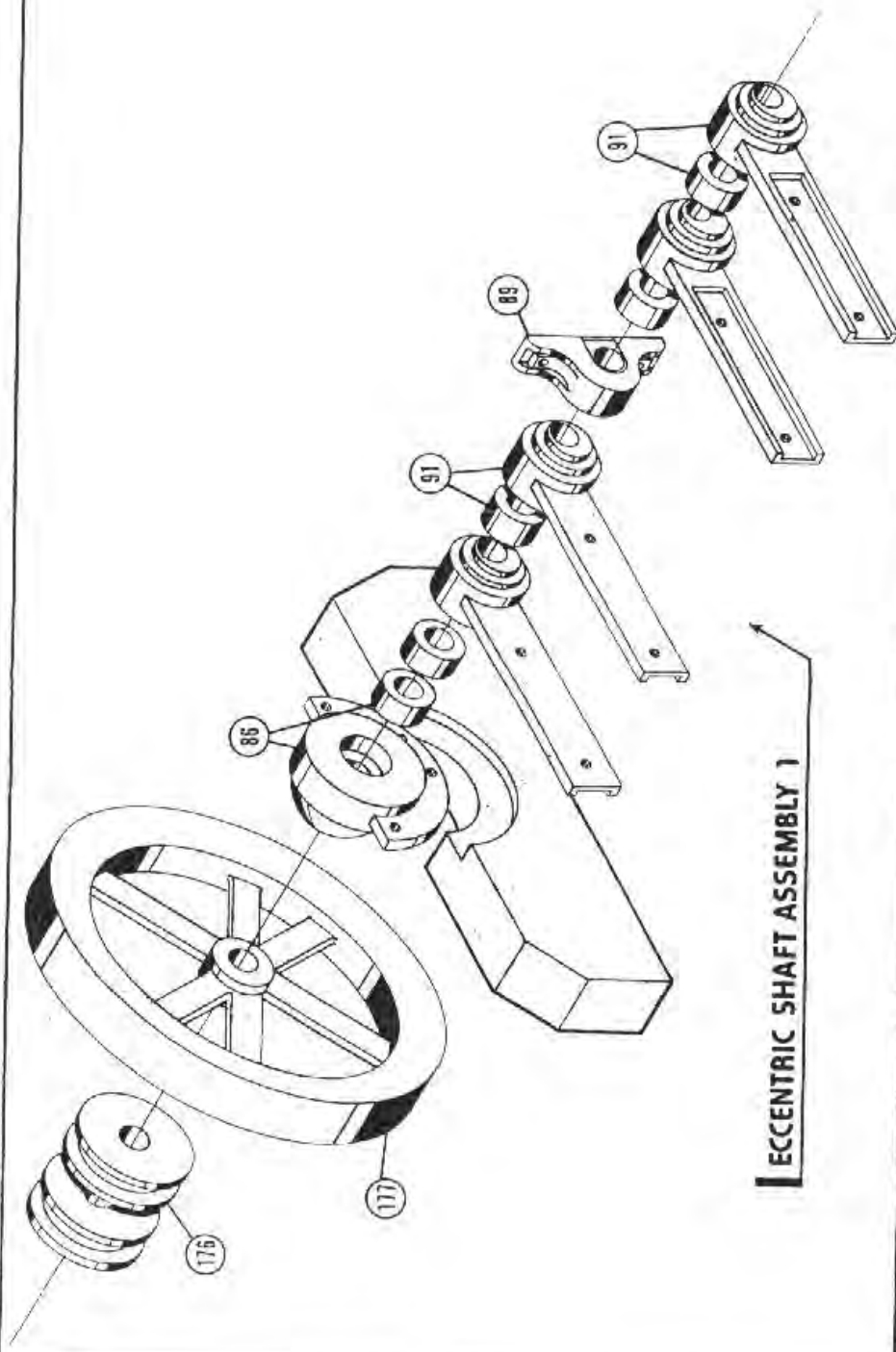
DAMPER ASSEMBLY

REV	DATE	BY	CHKD	APP'D	DESCRIPTION	FERRELL - ROSS	WORK NO.
					damper assembly	WATER WHEEL	
						DWR NO.	



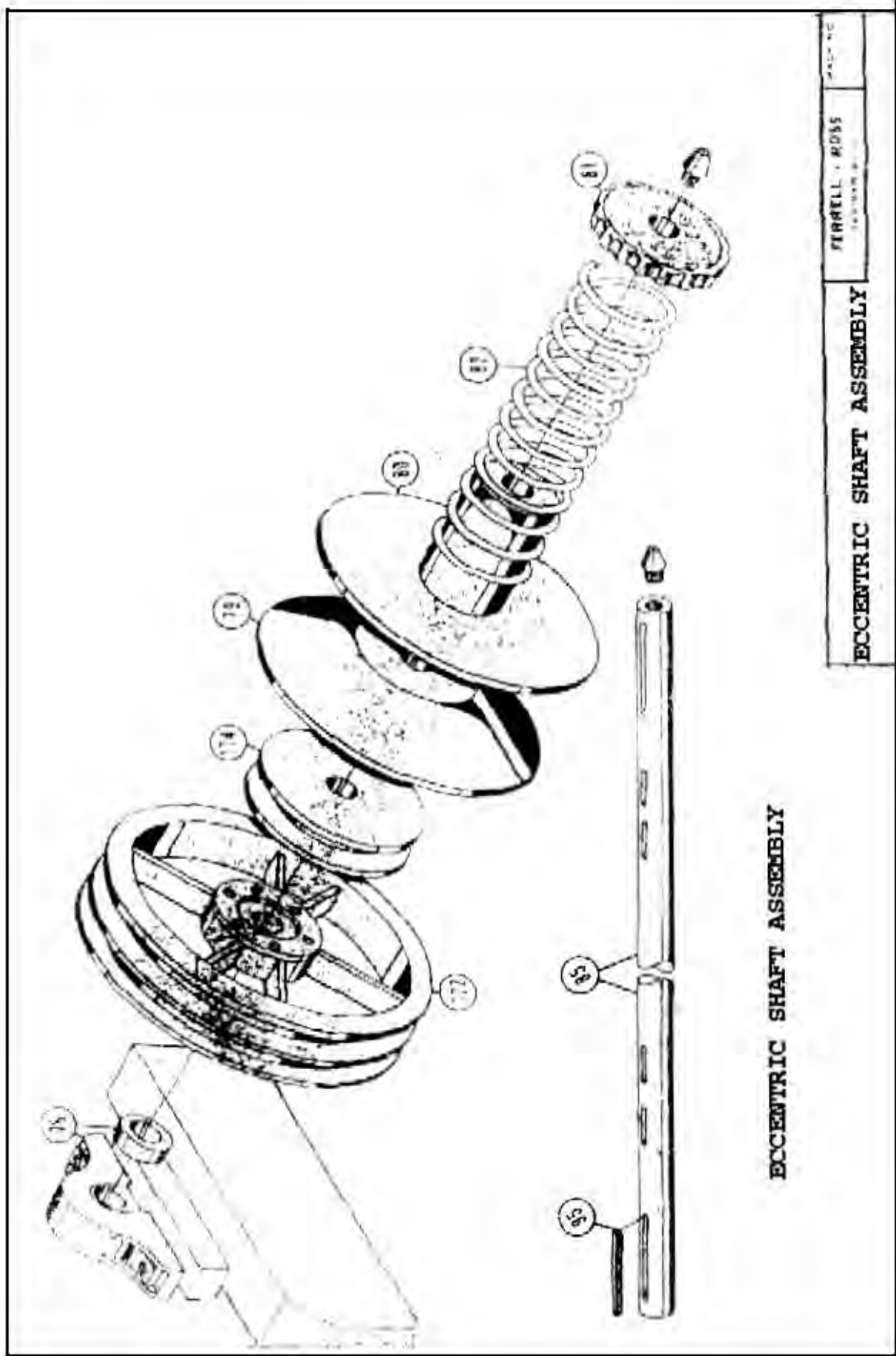
COUNTER SHAFT ASSEMBLY 2

ALL DIMENSIONS UNLESS OTHERWISE NOTED



ECCENTRIC SHAFT ASSEMBLY 1

REV	REVISION	DATE	BY	SCALE	DATE	DRN BY	SCALE	DATE	FERRELL - ROSS BAGINAW, MICH.	WACH NO
									eccentric shaft assembly 1	
									DWG NO.	

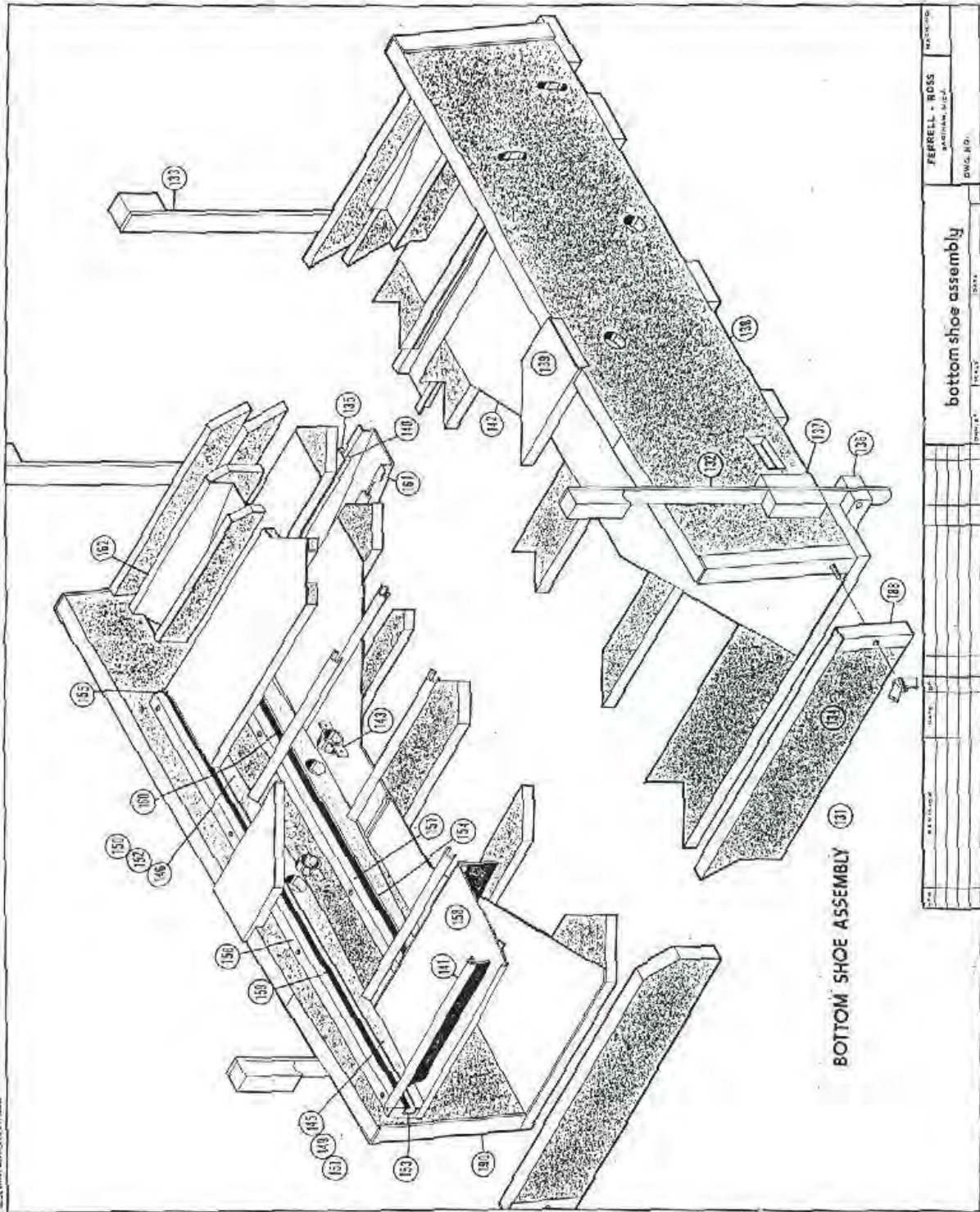


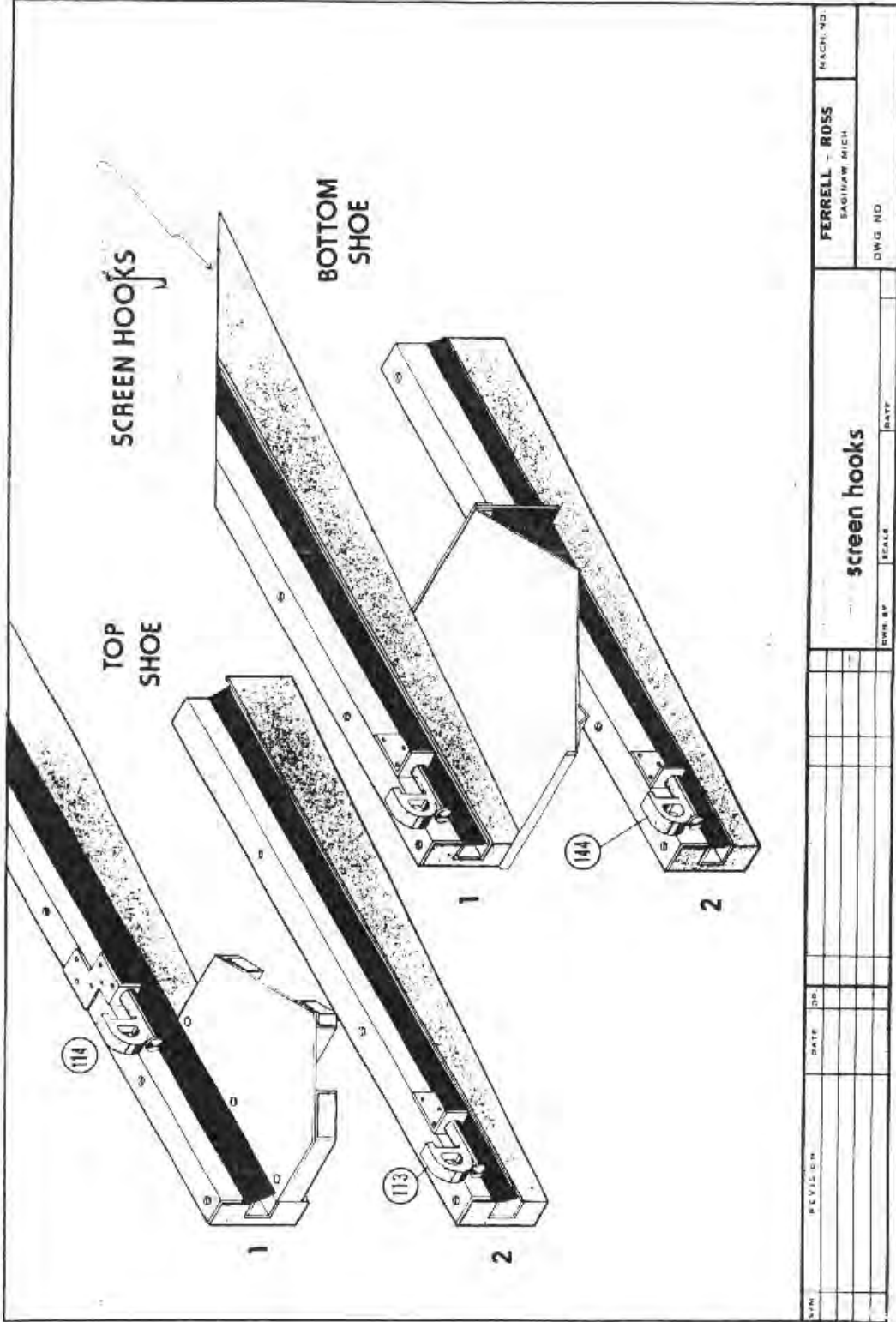
FERRELL - ROSS
INDUSTRIAL

EXCENTRIC SHAFT ASSEMBLY

EXCENTRIC SHAFT ASSEMBLY

16A

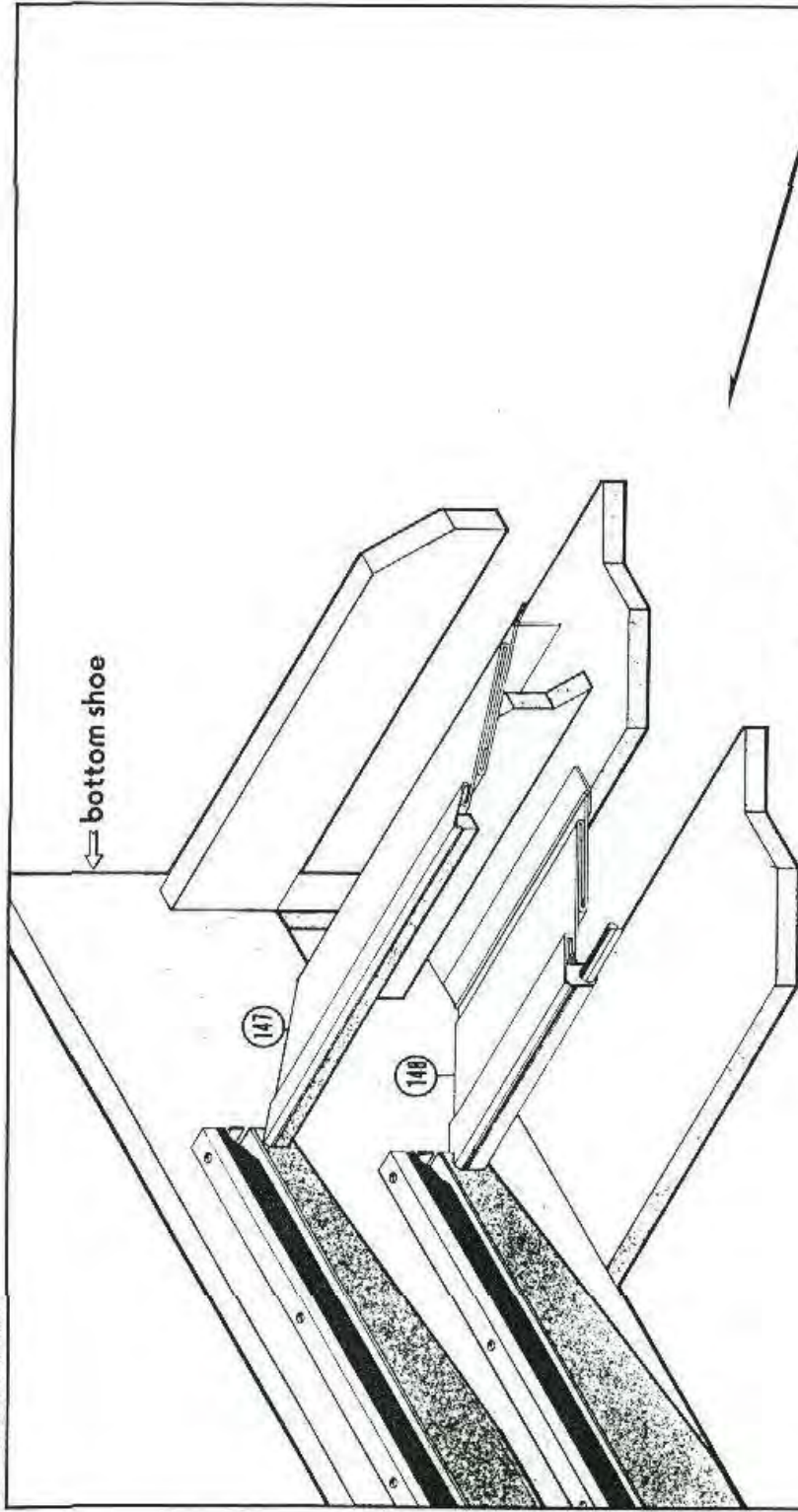




REPLACEMENT PARTS

DATE	REVISED	DATE	BY	SCALE	DATE	DRAWN BY	screen hooks		DWG NO	MACH NO
							FERRELL - ROSS	SAGINAW MICH		

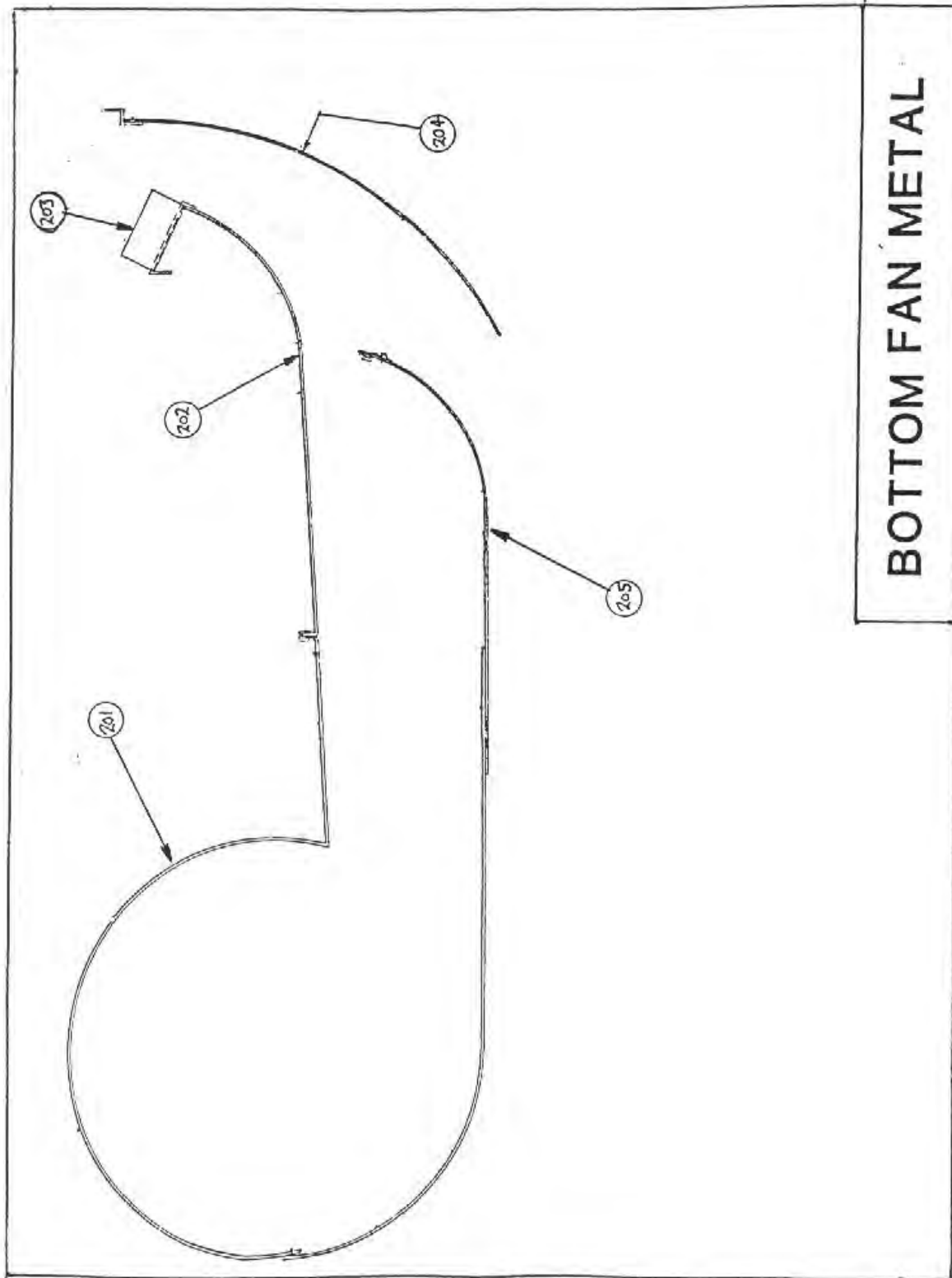
BLUE PRINT SUPPLY COMPANY, INC.



← bottom shoe

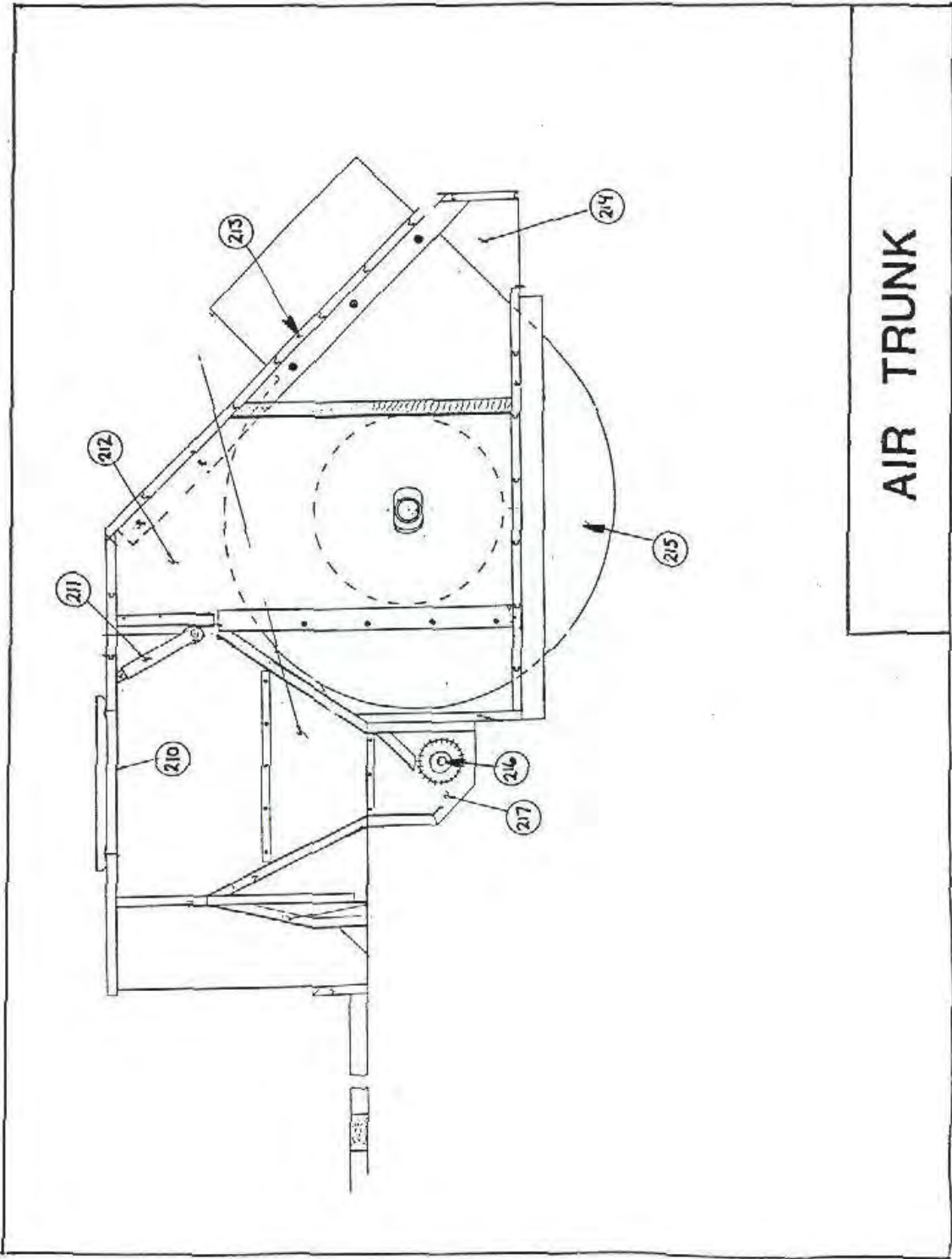
ARRANGEMENT FOR TELESCOPIC APRONS

SYM	REVISION	DATE	BY	SCALE	DATE	FERRELL - ROSS		MECH. NO
						SAGINAW, MICH		
DWG. NO						DWG. NO		
DWG. BY						DWG. BY		



BOTTOM FAN METAL

25



AIR TRUNK

Rocker Assembly View

Brush Style

