

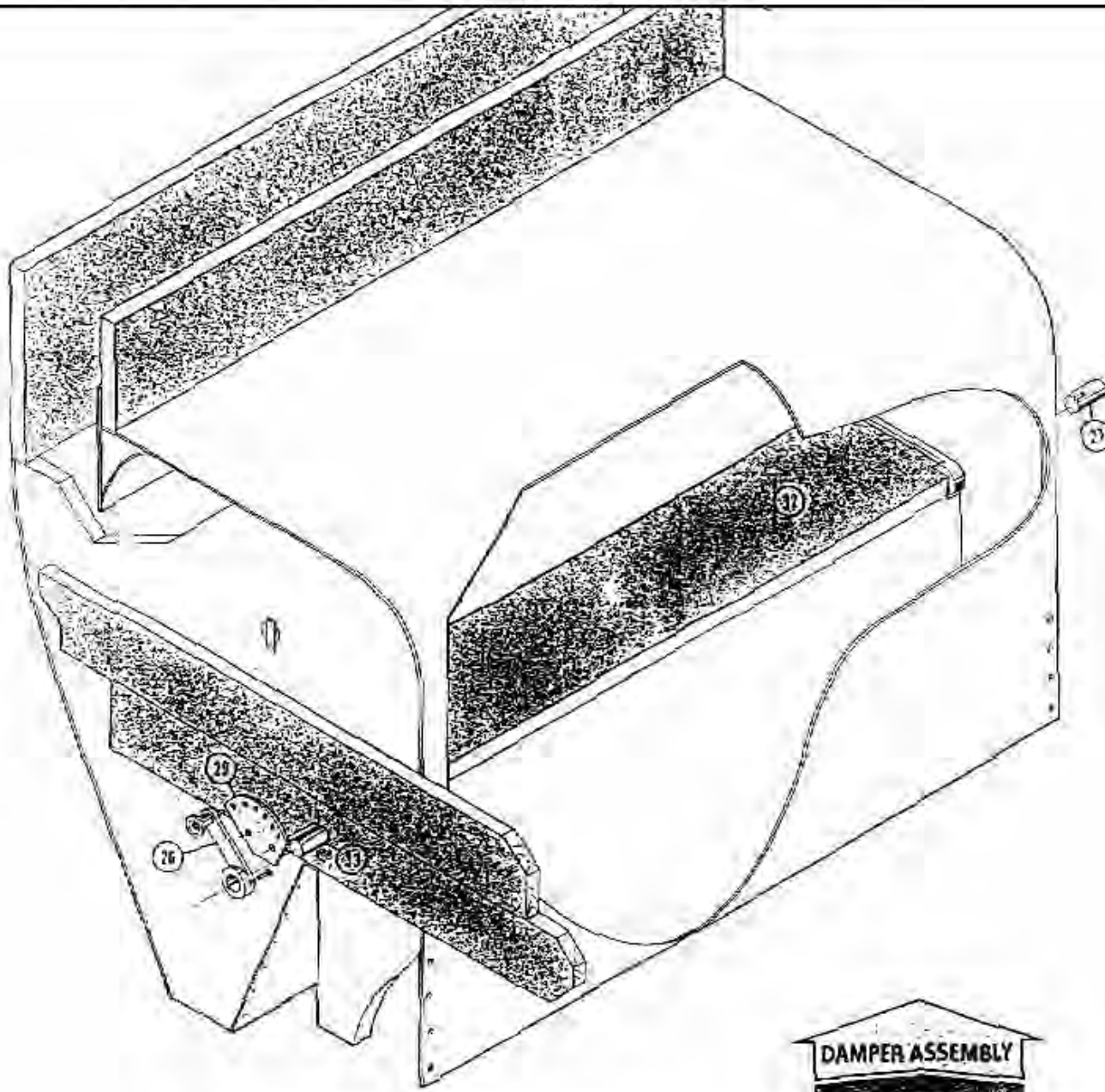
SCALE PER NET SUPPLY © 1991 E.P.A. 1317A

**TOP FAN SHAFT ASSEMBLY**

REV.	REVISION	DATE	BY	DATE	SCALE	DATE	DWG. NO.	FERRELL - ROSS SAGINAW, MICH.	MACH. NO.



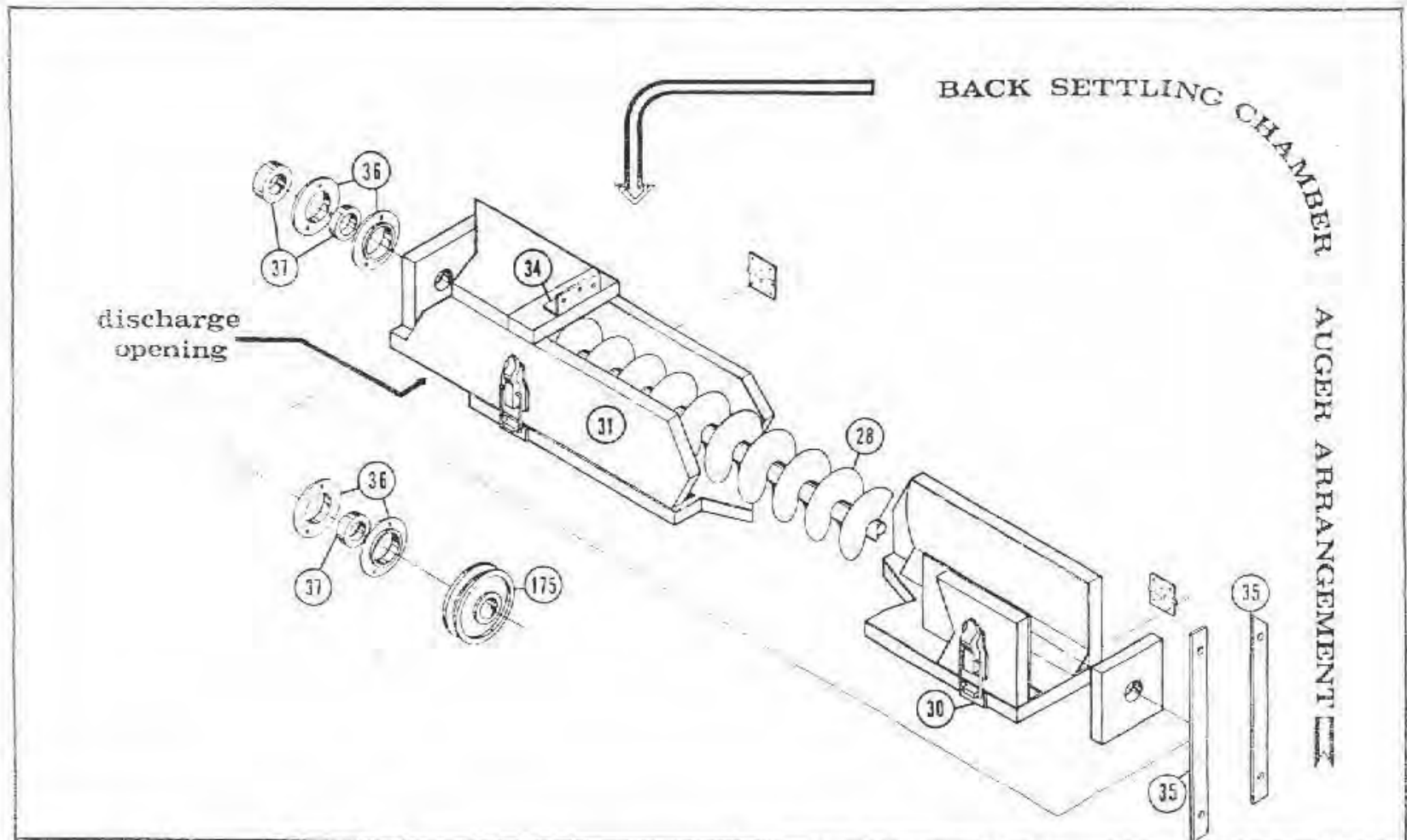
5



**DAMPER ASSEMBLY**

REV	DATE	BY	CHKD	APP'D	DESCRIPTION	FERRELL - ROSS	WORK NO.
					damper assembly	WATER WHEEL	
						DWR NO.	

6



REV	REVISION	DATE	BY	CHKD	APP'D	back settling chamber auger arrangement	FERRELL - ROSS SAGINAW MICH.	DWG NO	MACH NO
						OWN BY JDS	SCALE	DATE 12-28-72	



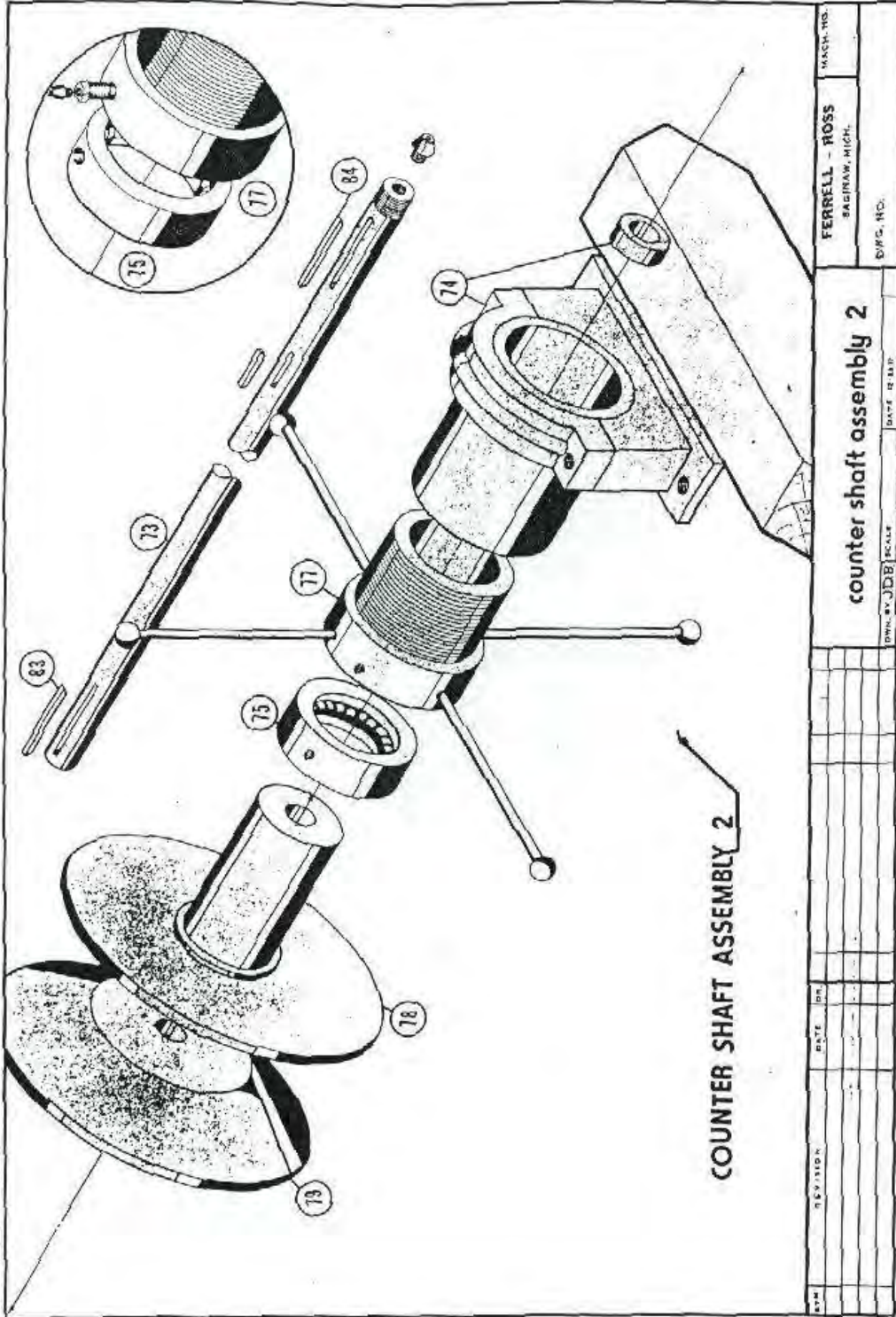






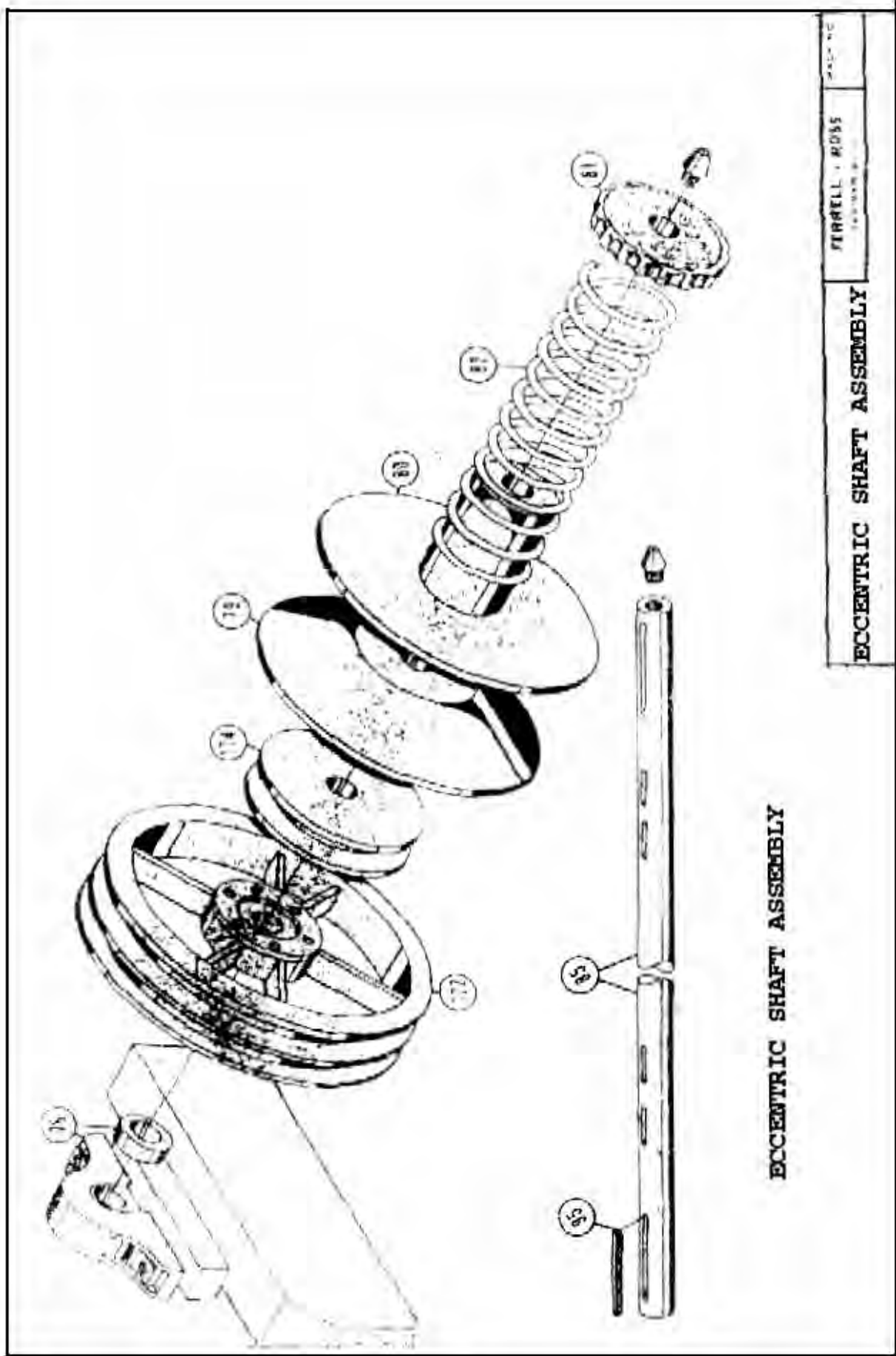






COUNTER SHAFT ASSEMBLY 2





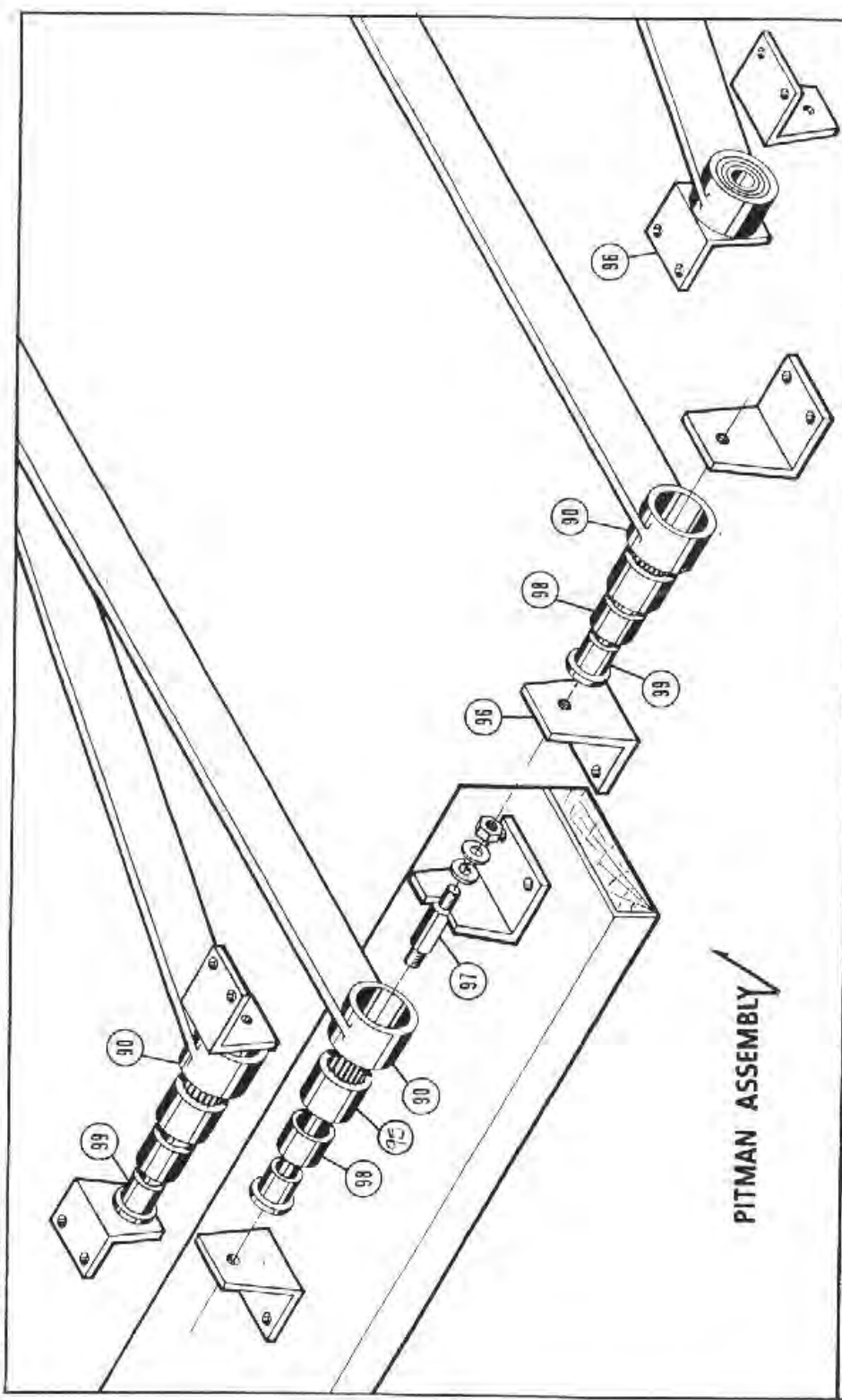
FERRELL - ROSS  
INDUSTRIAL

EXCENTRIC SHAFT ASSEMBLY

EXCENTRIC SHAFT ASSEMBLY

16A

BLUE PRINT NUMBER FOR THIS DRAWING



PITMAN ASSEMBLY ✓

DATE	SCALE	DATE	SCALE	DATE	SCALE	DATE	SCALE	DATE	SCALE	DATE	SCALE
DRAWN BY						DATE					
FERRELL - ROSS						MACH NO					
SAGINAW, MICH						DWG. NO.					
<b>pitman assembly</b>											



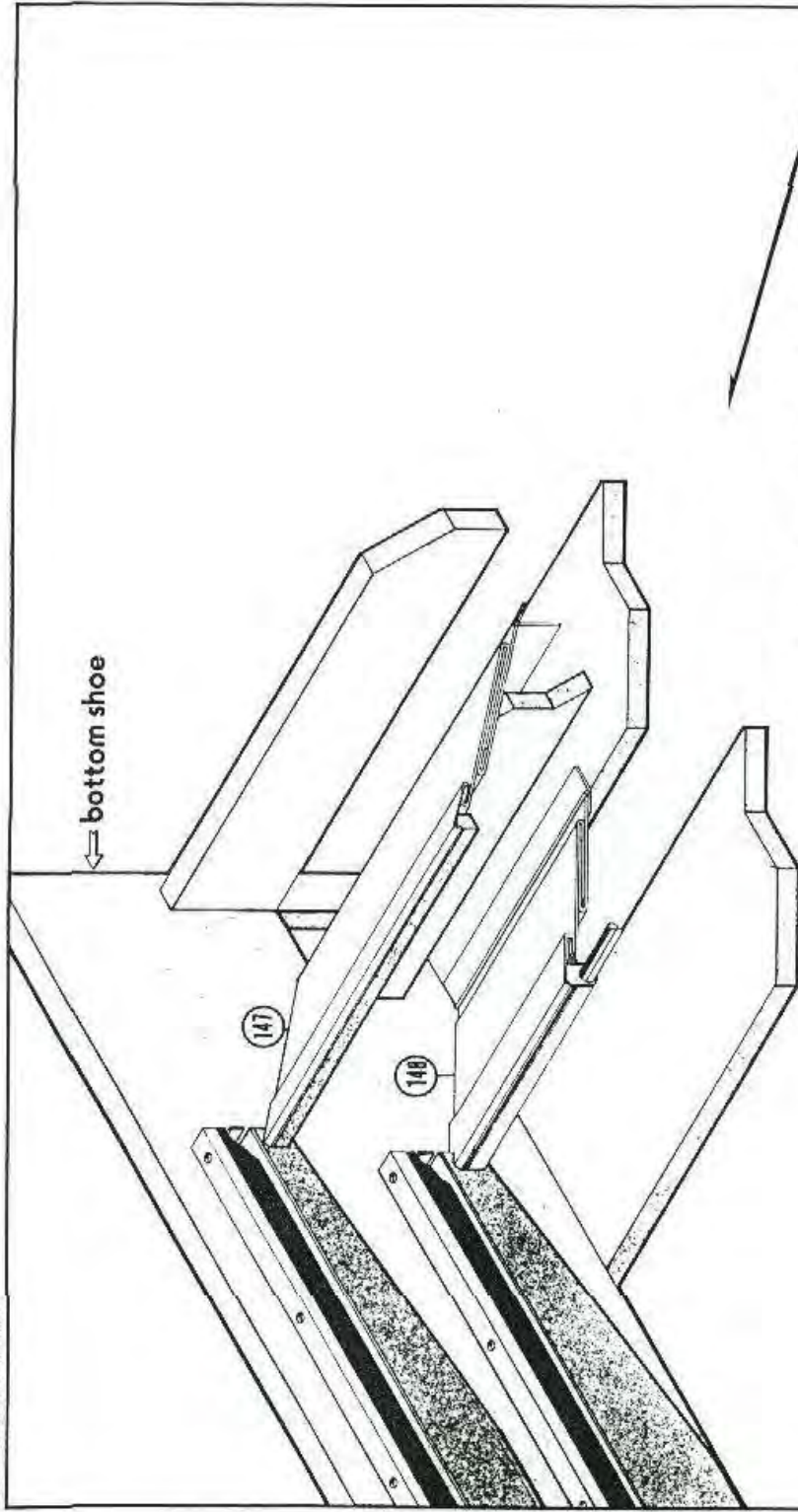








BLUE PRINT SUPPLY COMPANY, INC.



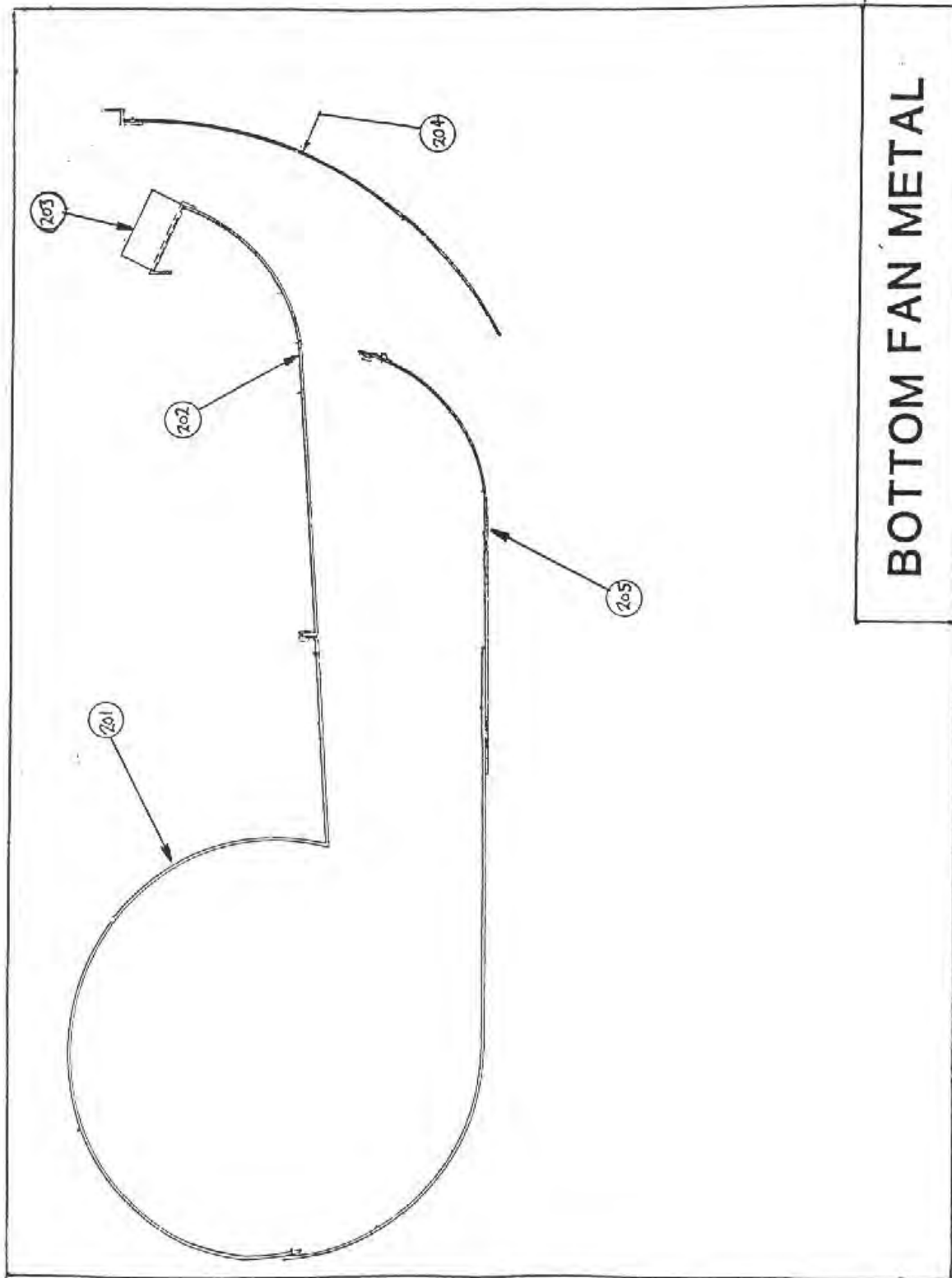
← bottom shoe

ARRANGEMENT FOR TELESCOPIC APRONS

SYN	REVISION	DATE	BY	SCALE	DATE	FERRELL - ROSS		MECH. NO
						SAGINAW, MICH		
DWG. NO						DWG. NO		

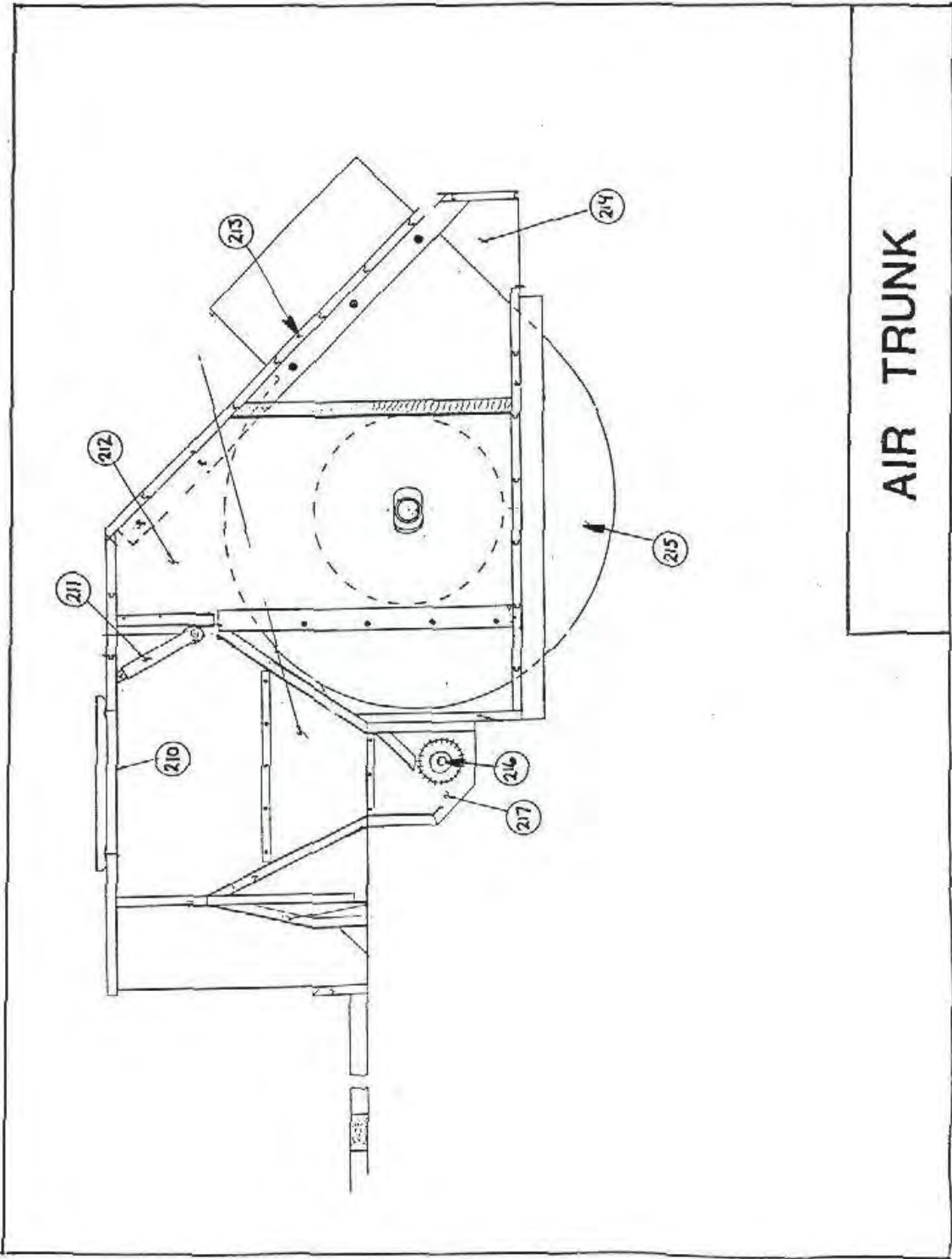






**BOTTOM FAN METAL**

25



AIR TRUNK



# Rocker Assembly View Ball Trays

