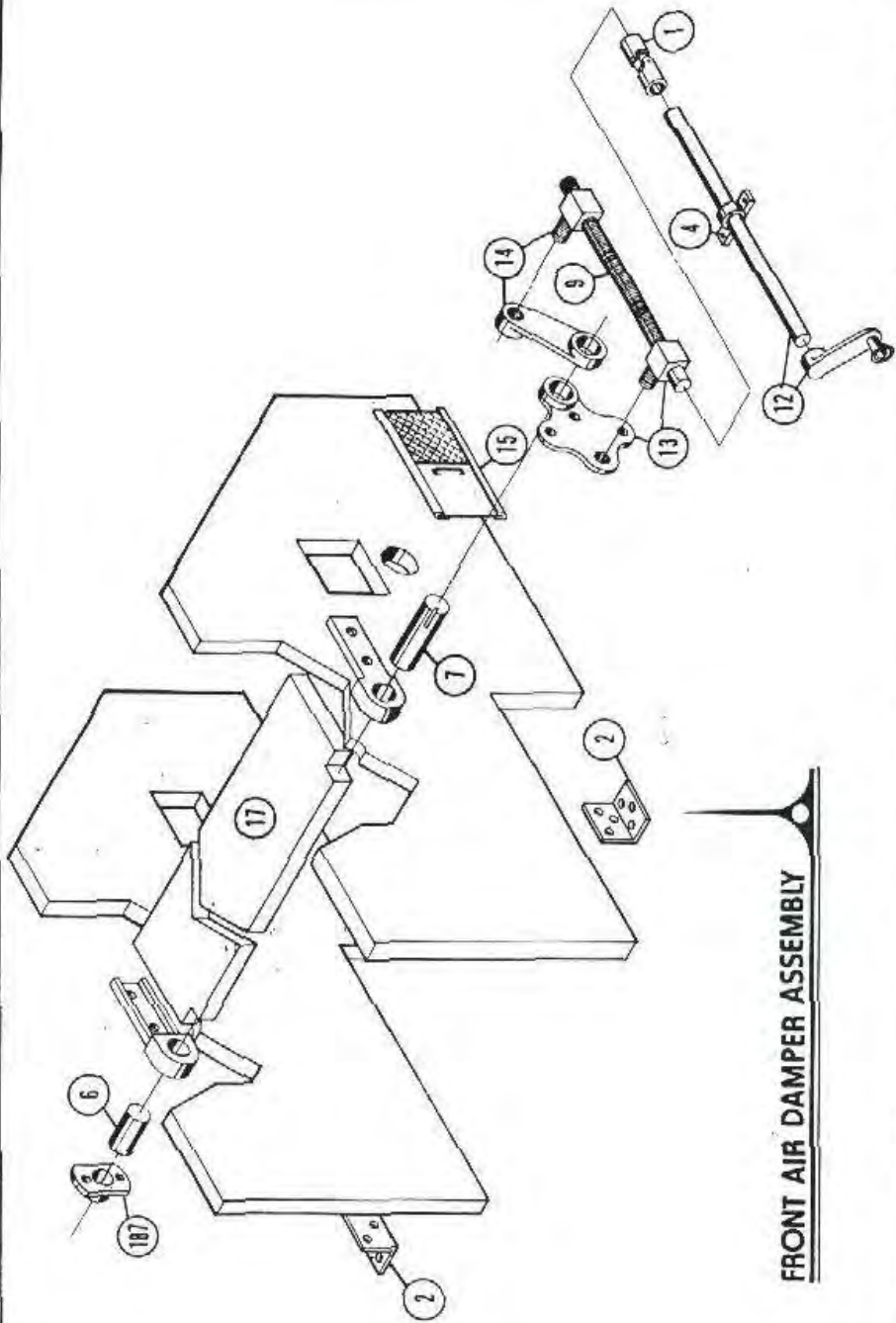


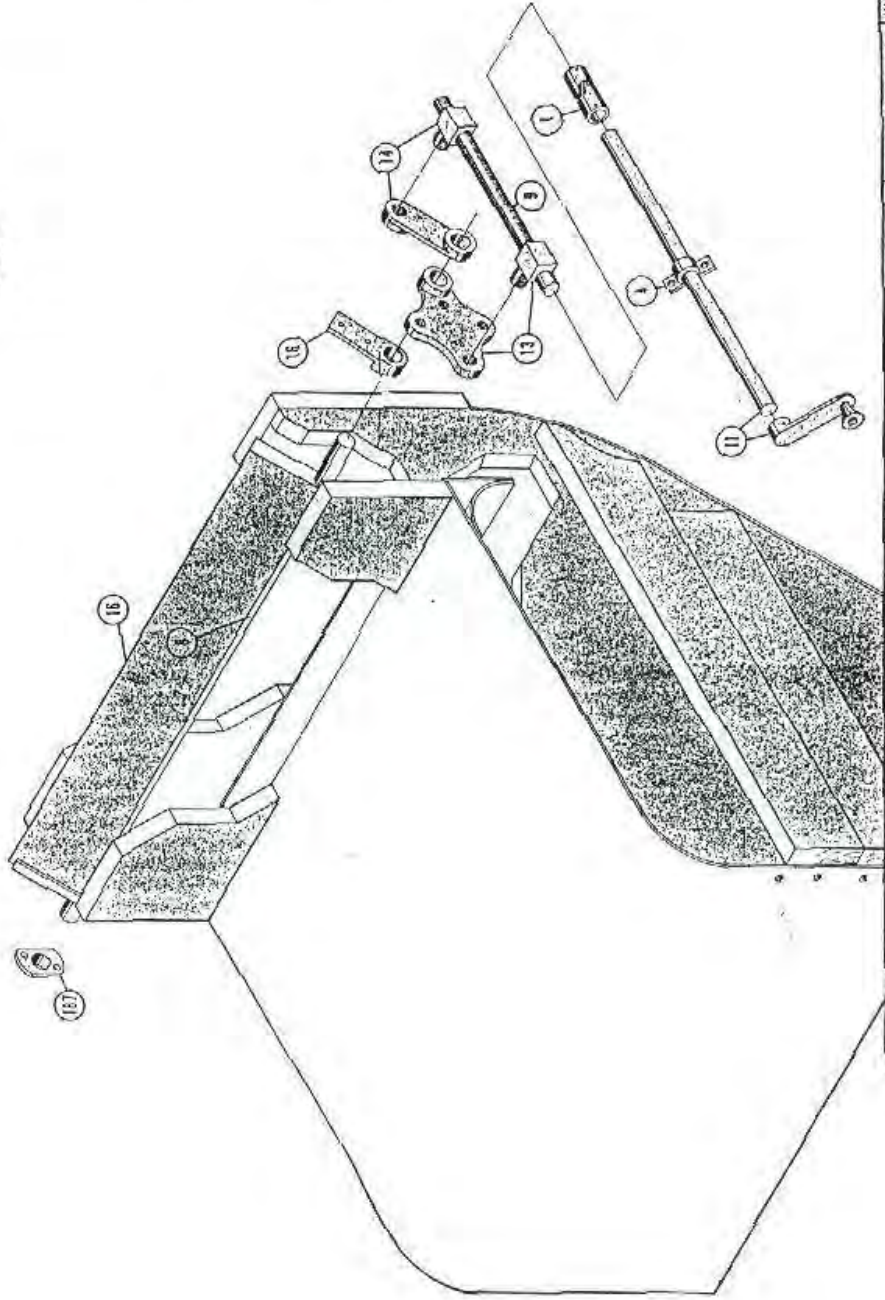
BLUE PRINT SUPPLY & JOB CO. INC.



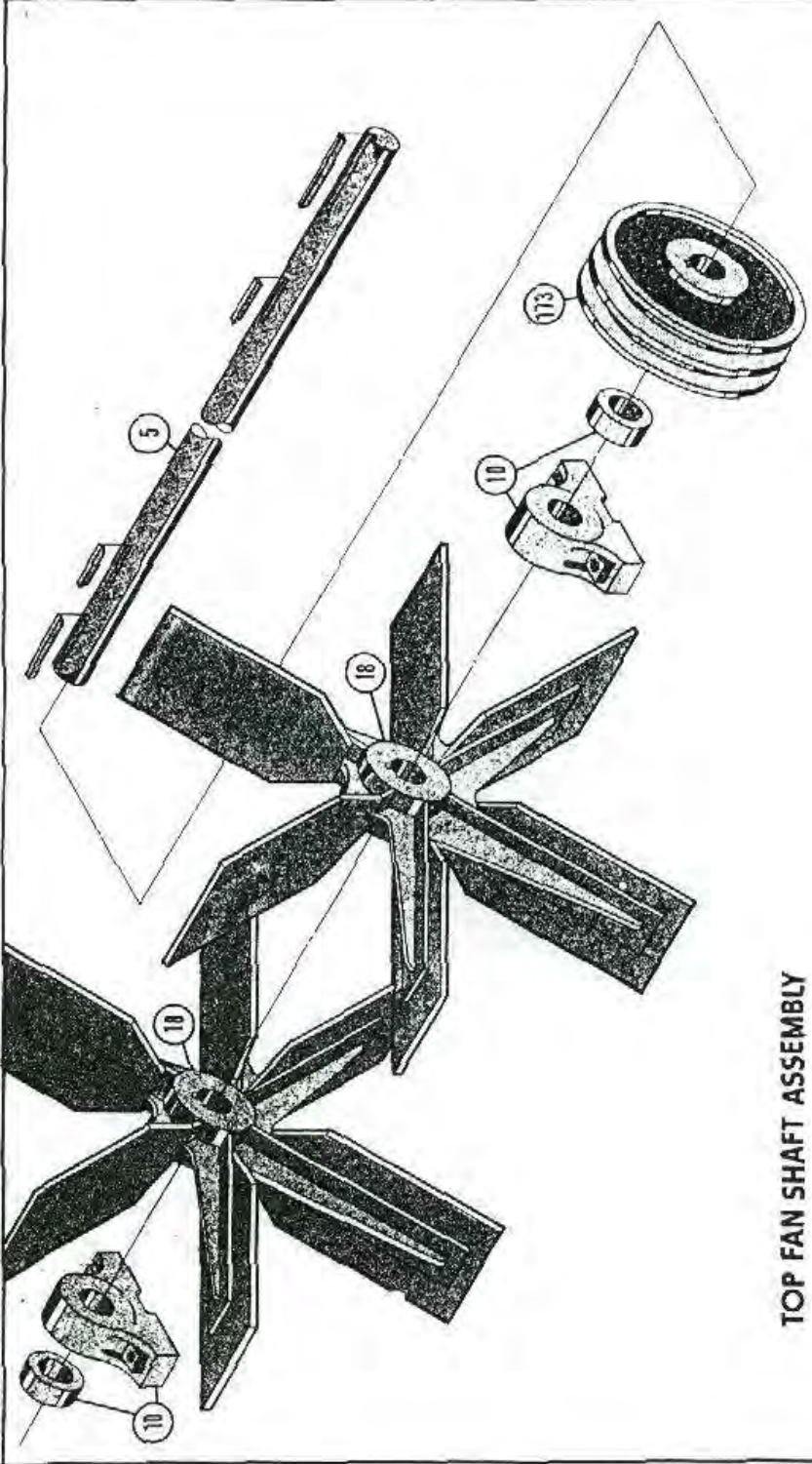
FRONT AIR DAMPER ASSEMBLY

SYM		REVISION	DATE	ON	DATE	SCALE	DATE
front air damper assembly							
FERRELL - ROSS		MICH. NO.					
SAGINAW MICH.							
DWG. NO.							

BACK AIR DAMPER : TOP FAN SECTION



FENNELL - ROSS ENGINEERS LTD.		WASHTON, D.C.
DRAWING NO.		100-111
REV. NO.		100-111
DATE		
BY		
CHECKED		
APPROVED		
PROJECT		
DESCRIPTION		
PART NO.		
QUANTITY		
MATERIAL		
FINISH		
TOLERANCES		
THREADS		
KEYS		
FITTINGS		
ASSEMBLY		
DRAWING		
SCALE		
SHEET NO.		
TOTAL SHEETS		



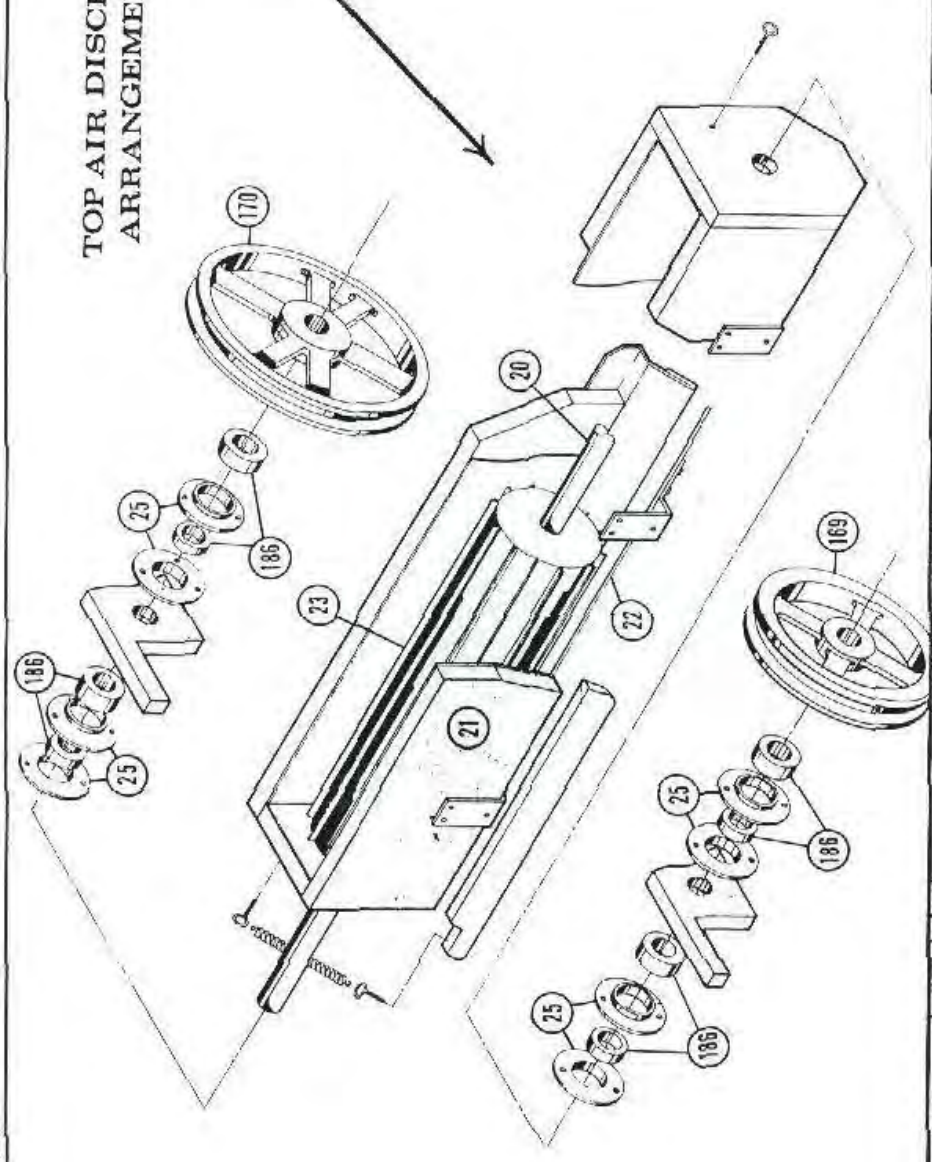
SCALE PER NET SUPPLY - 1500 LBS 3/17/14

REV.	REVISION	DATE	BY	DATE	SCALE	DATE	DWG. NO.	MACH. NO.
top fan shaft assembly								
					DENNEY, J.S.	0-28-77		

TOP FAN SHAFT ASSEMBLY

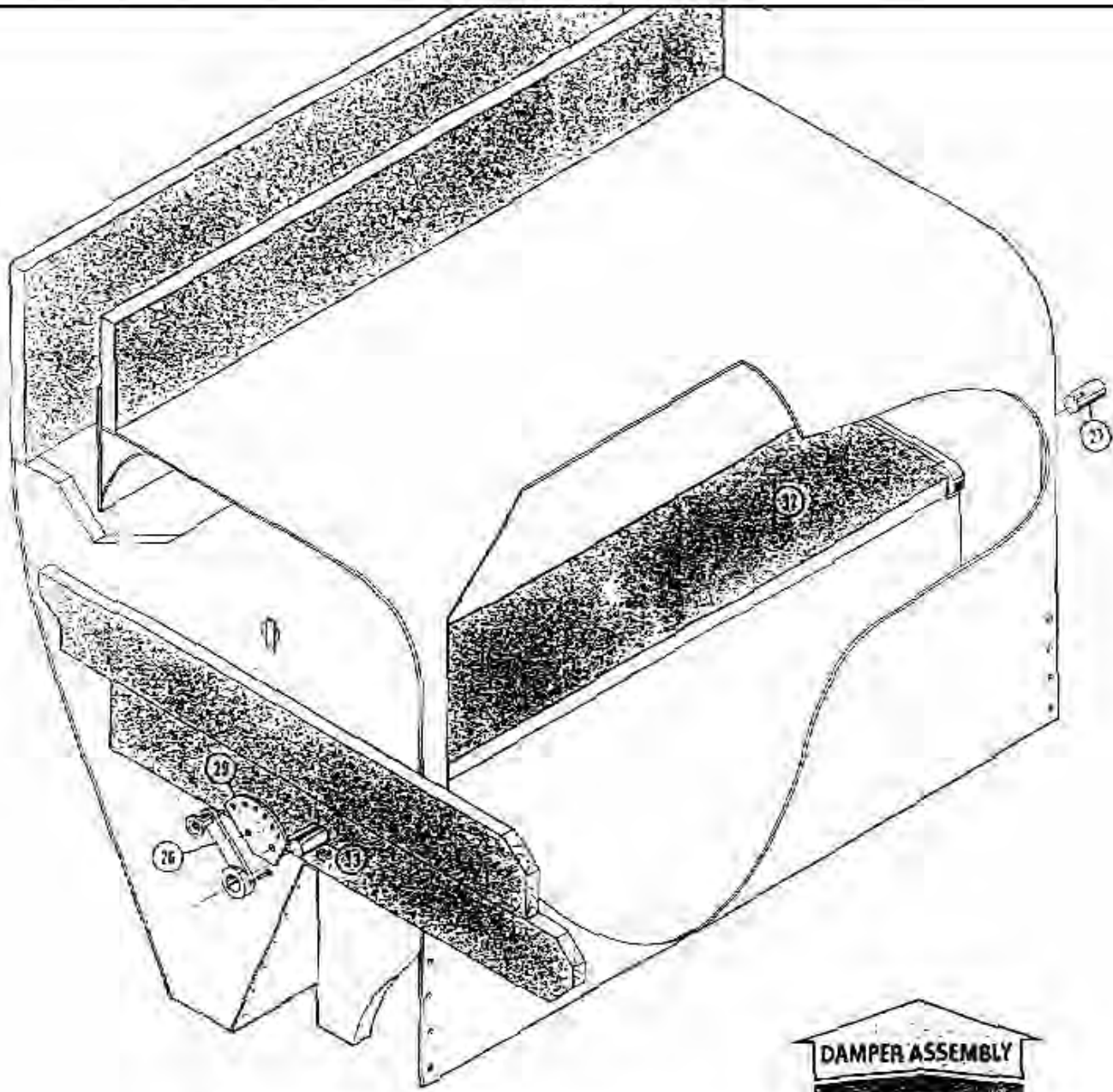
MULTI-PHASE SUPPLY - 2500 1/2" x 11 1/2"

TOP AIR DISCHARGE ARRANGEMENT



SYN.	REV.	DATE	BY	DATE	SCALE	DRAWN BY	J. B.	DATE	2-10-17	DWG. NO.		MACH. NO.	
						- top air discharge arrangement							
						FERRELL - ROSS							
						SAGINAW, MICH.							

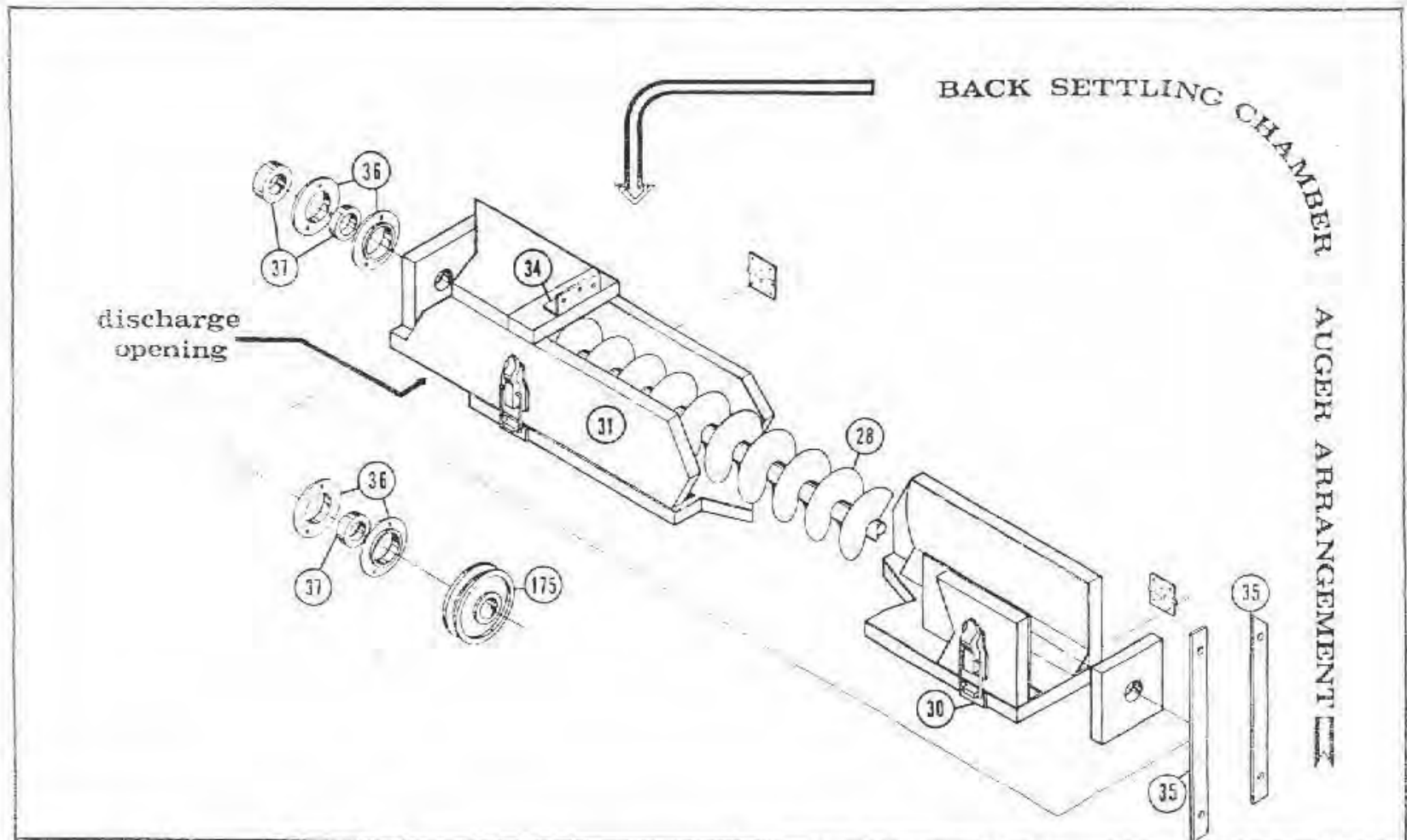
5



DAMPER ASSEMBLY

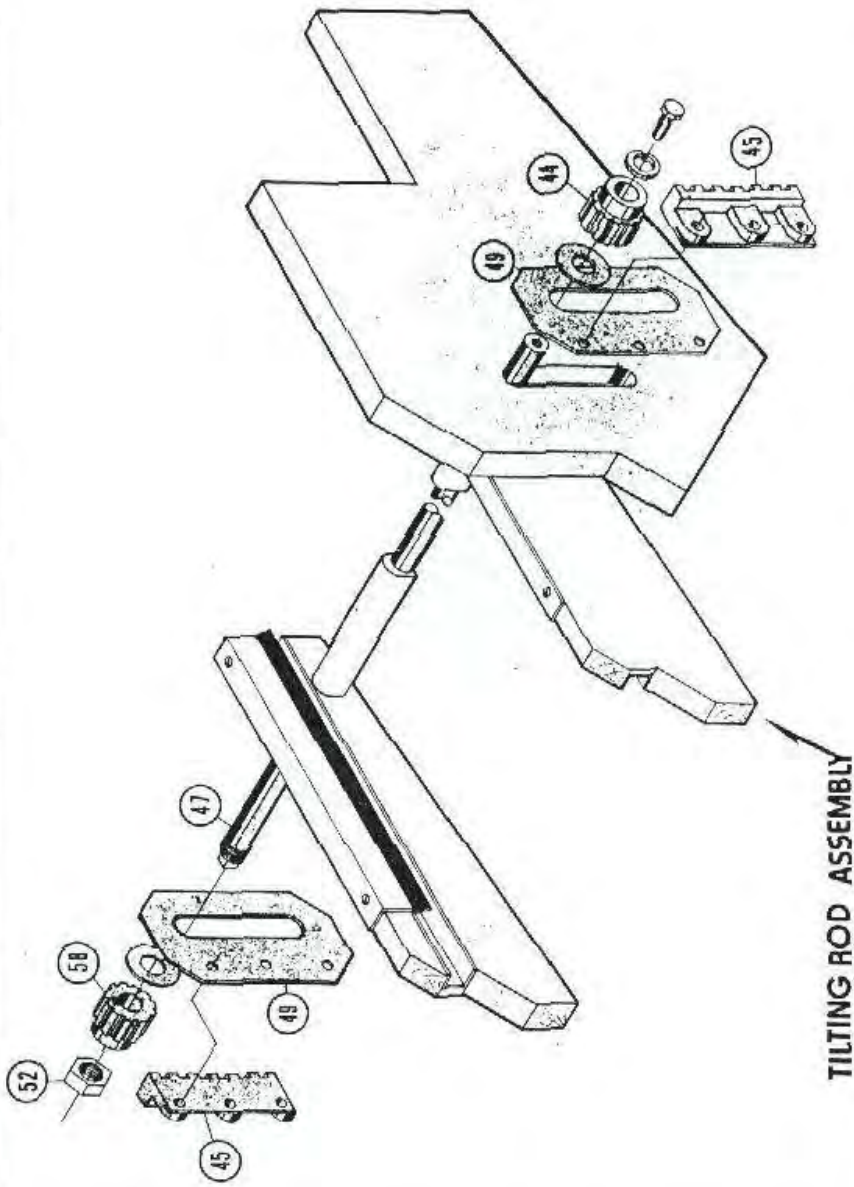
REV	DESCRIPTION	DATE	BY	CHKD	APP'D	FERRELL - ROSS	WORK NO.
damper assembly						DWR NO.	

6



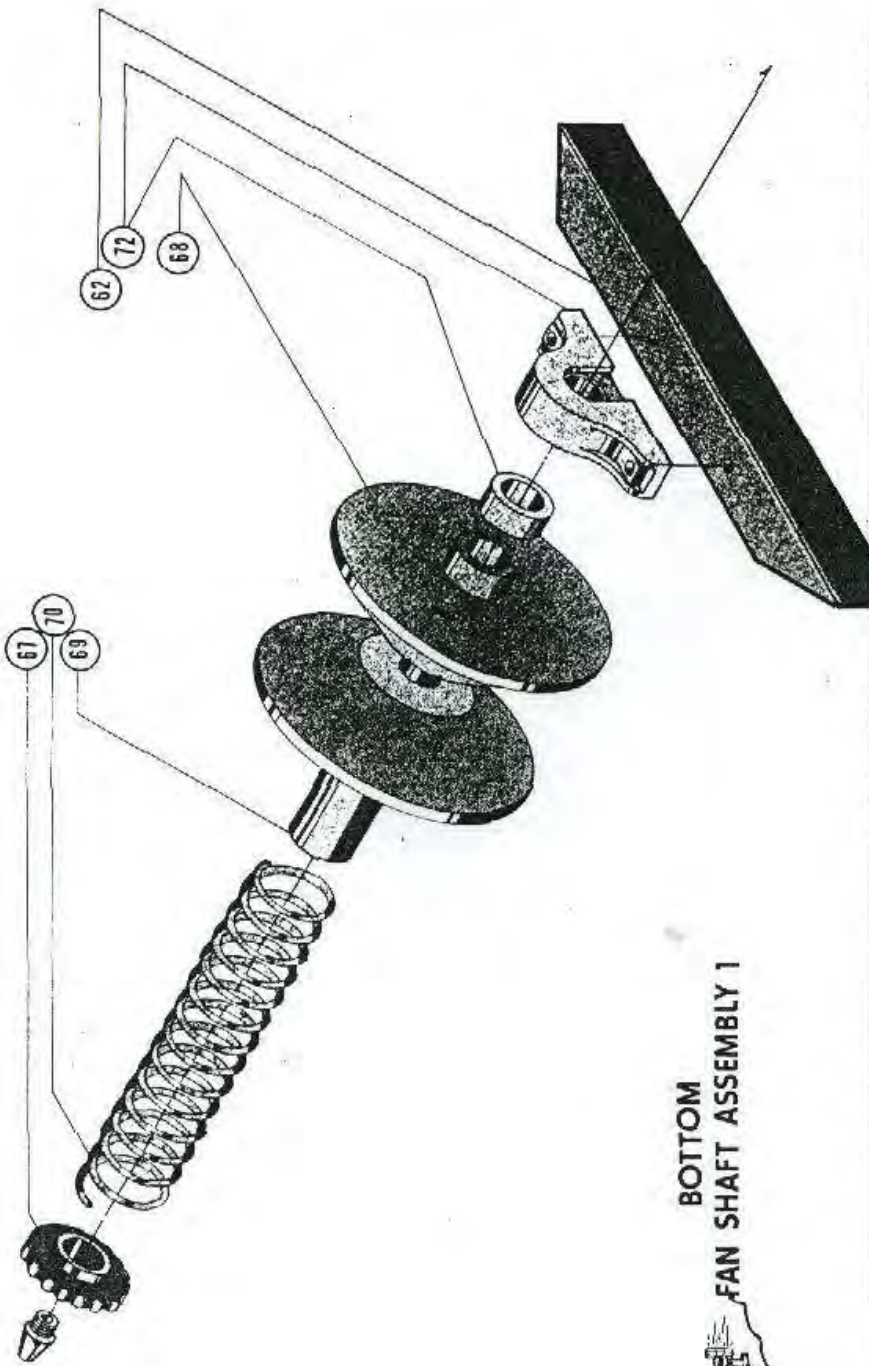
NO.	REVISION	DATE	BY	CHKD.	APPROVED	back settling chamber auger arrangement	FERRELL - ROSS SAGINAW MICH.	DRAWING NO.
						DRAWN BY JDS SCALE	DATE 12-28-72	

SCALE PRINT SUPPLY NO. 12-18-83124



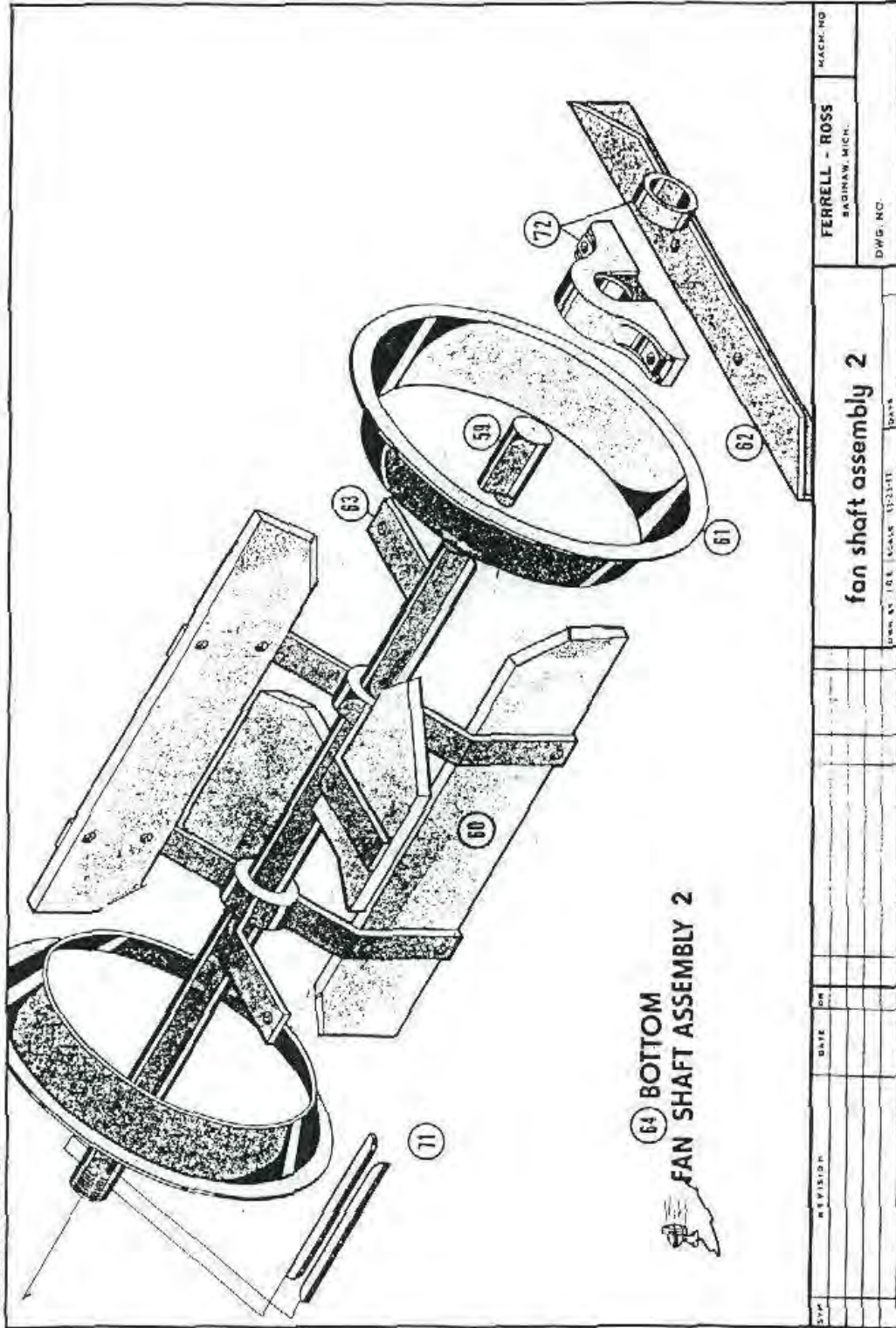
TILTING ROD ASSEMBLY

DATE	REV	DATE	REV	DATE	REV	DATE	REV	DATE	REV	DATE	REV
REVISION											
DWG. NO.										MACH. NO.	
DRAWN BY										FERRELL - ROSS	
SCALE										SAGINAW, MICH.	
DATE										DWG. NO.	
tilting rod assembly											



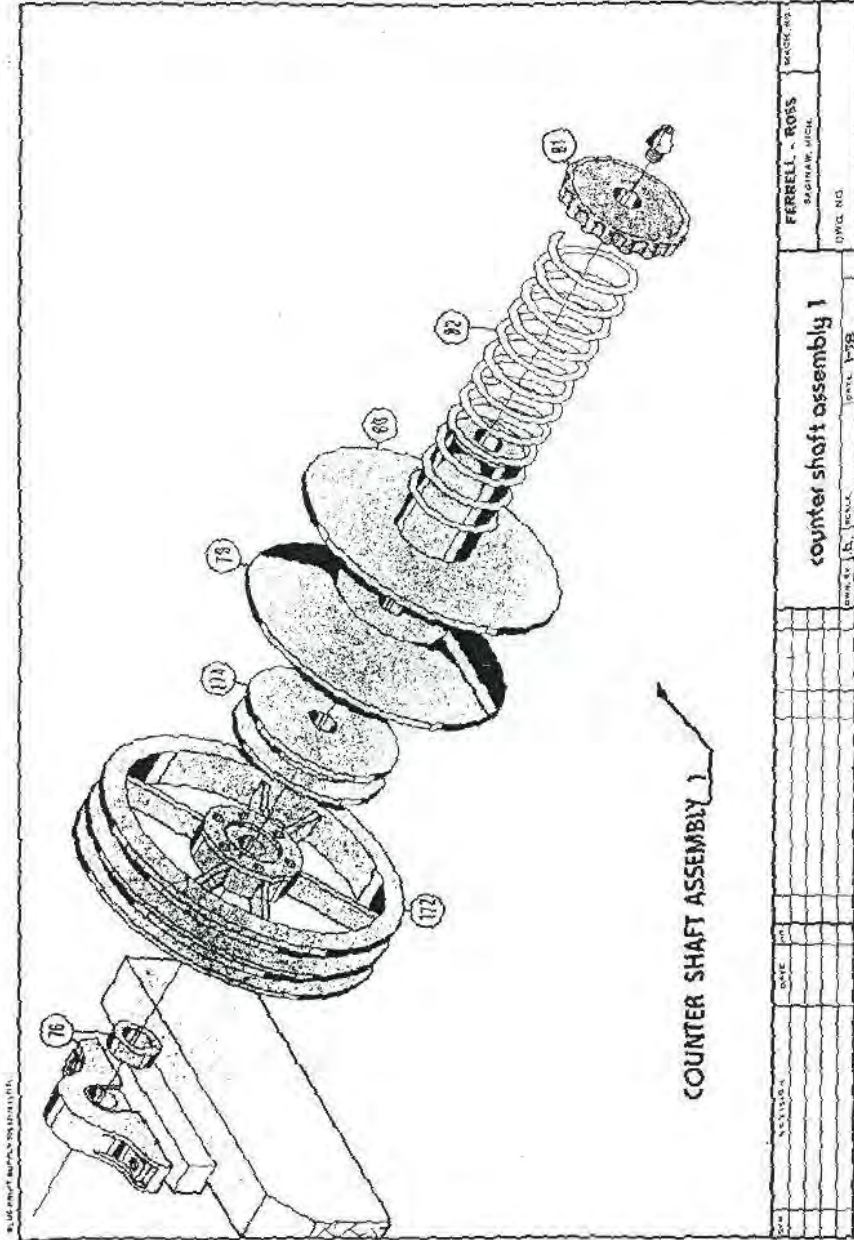
**BOTTOM
FAN SHAFT ASSEMBLY 1**

SYN.	REV.	DATE	BY	DATE	BY	DATE	BY	DATE	BY	DATE	BY	DATE	BY	DATE	BY	DATE	BY	DATE	BY	DATE	BY	DATE	BY
													DWG. NO. 101		SCALE		DATE 12-20-77			FERRELL - ROSS SAGINAW, MICH. DWS, NC.			
													fan shaft assembly 1										
													MACH. NO.										



64 BOTTOM
FAN SHAFT ASSEMBLY 2

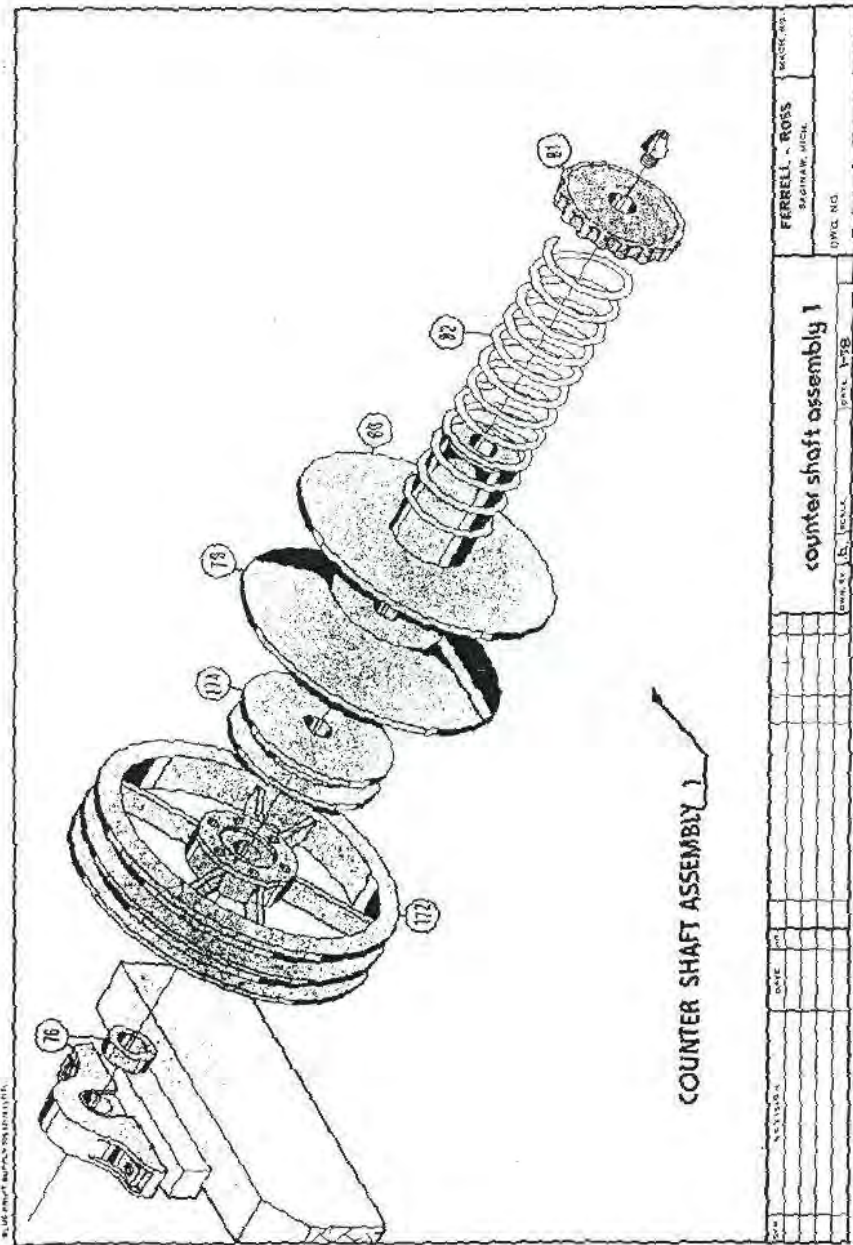
SYN		REVISION	DATE	BY	DWG. NO. 100-1-10000-132311	DATE
		FERRELL - ROSS			MACH. NO.	
		BADING, MICH.				
		DWG. NO.				

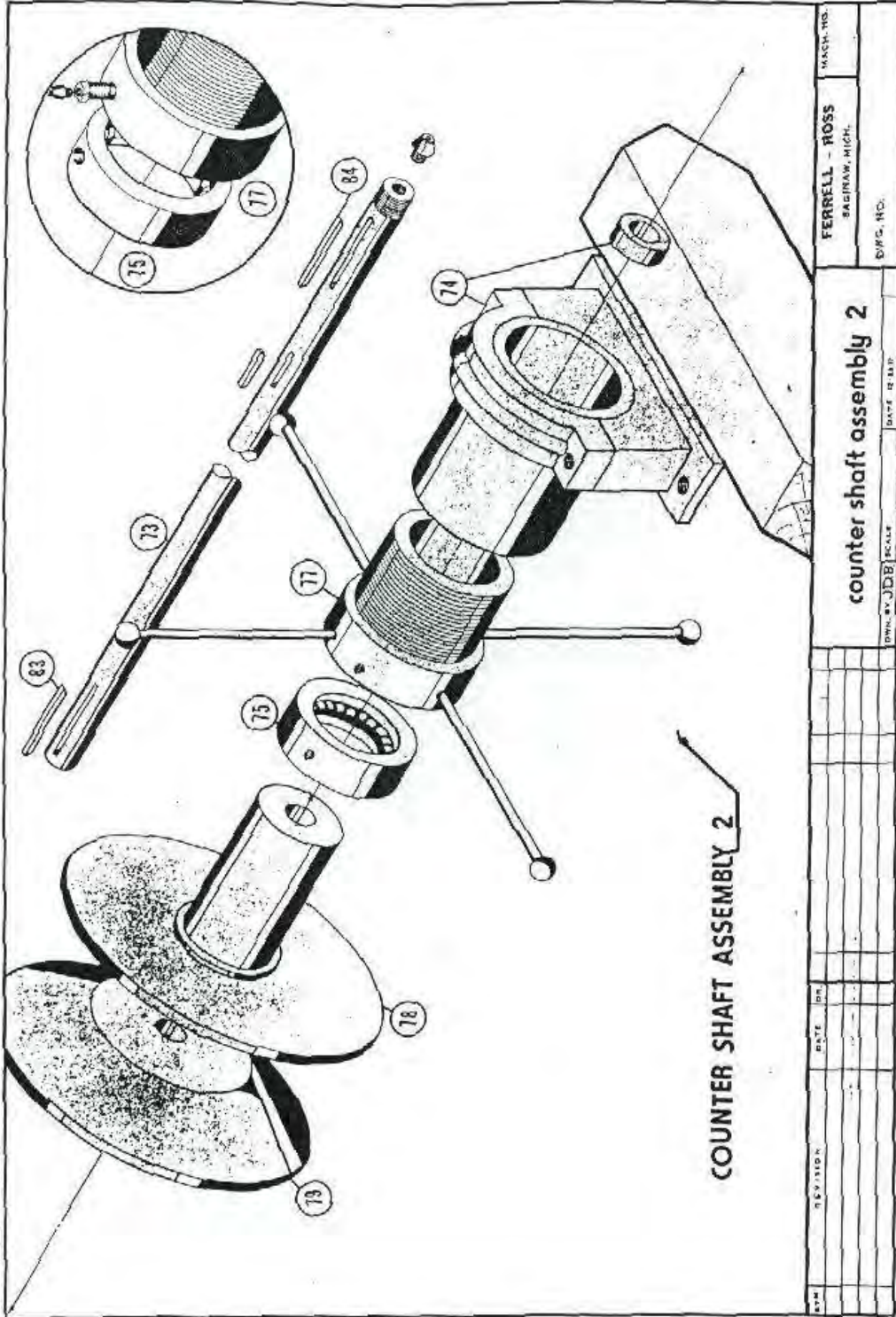


REV.	DATE	BY	CHKD.	QUANTITY	ASSEMBLED	DATE	BY

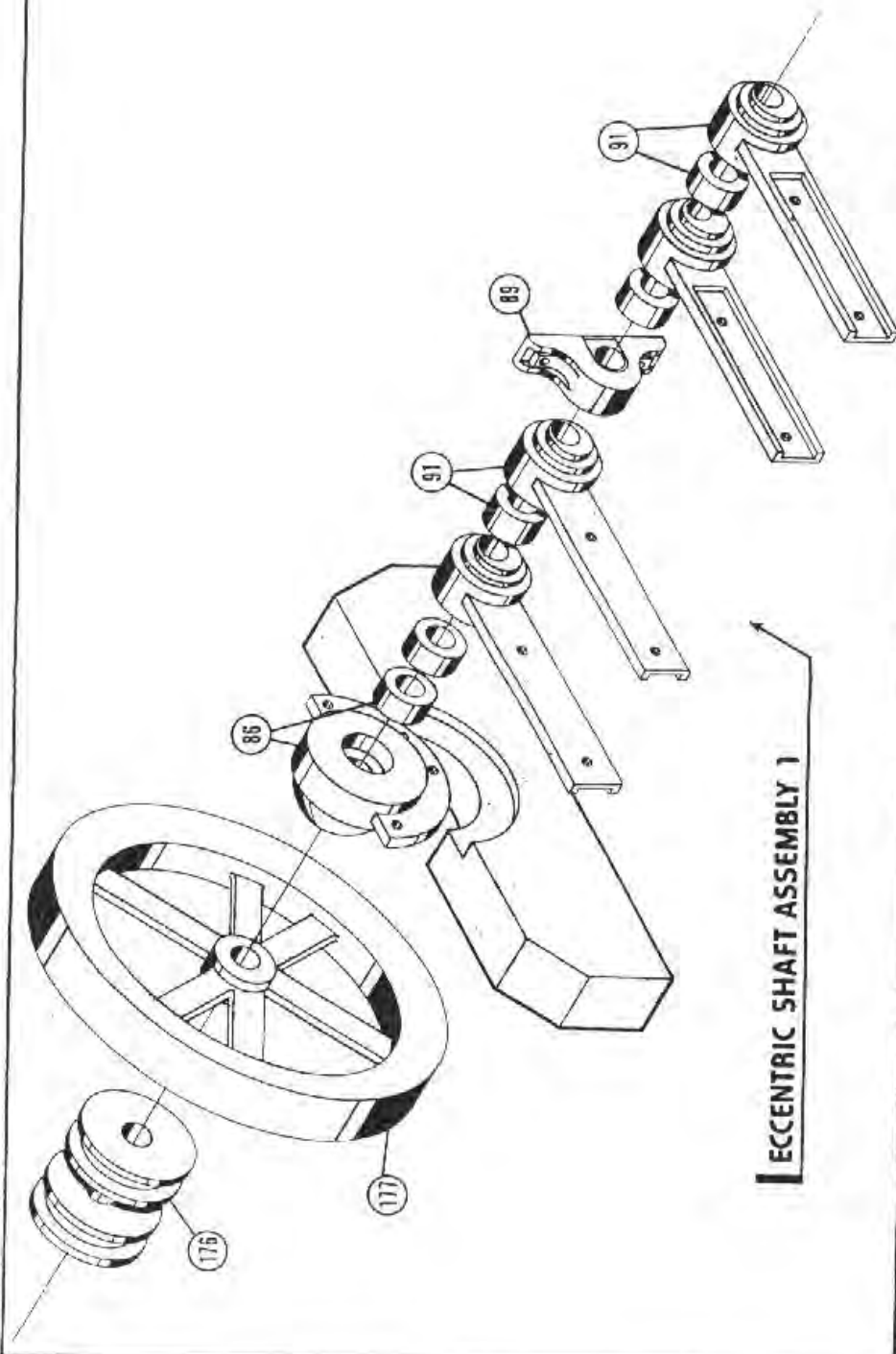
FERRELL - ROSS
 SAGINAW, MICH.
 DWG. NO.

counter shaft assembly 1
 DATE: 10-1-58
 DRAWN BY:



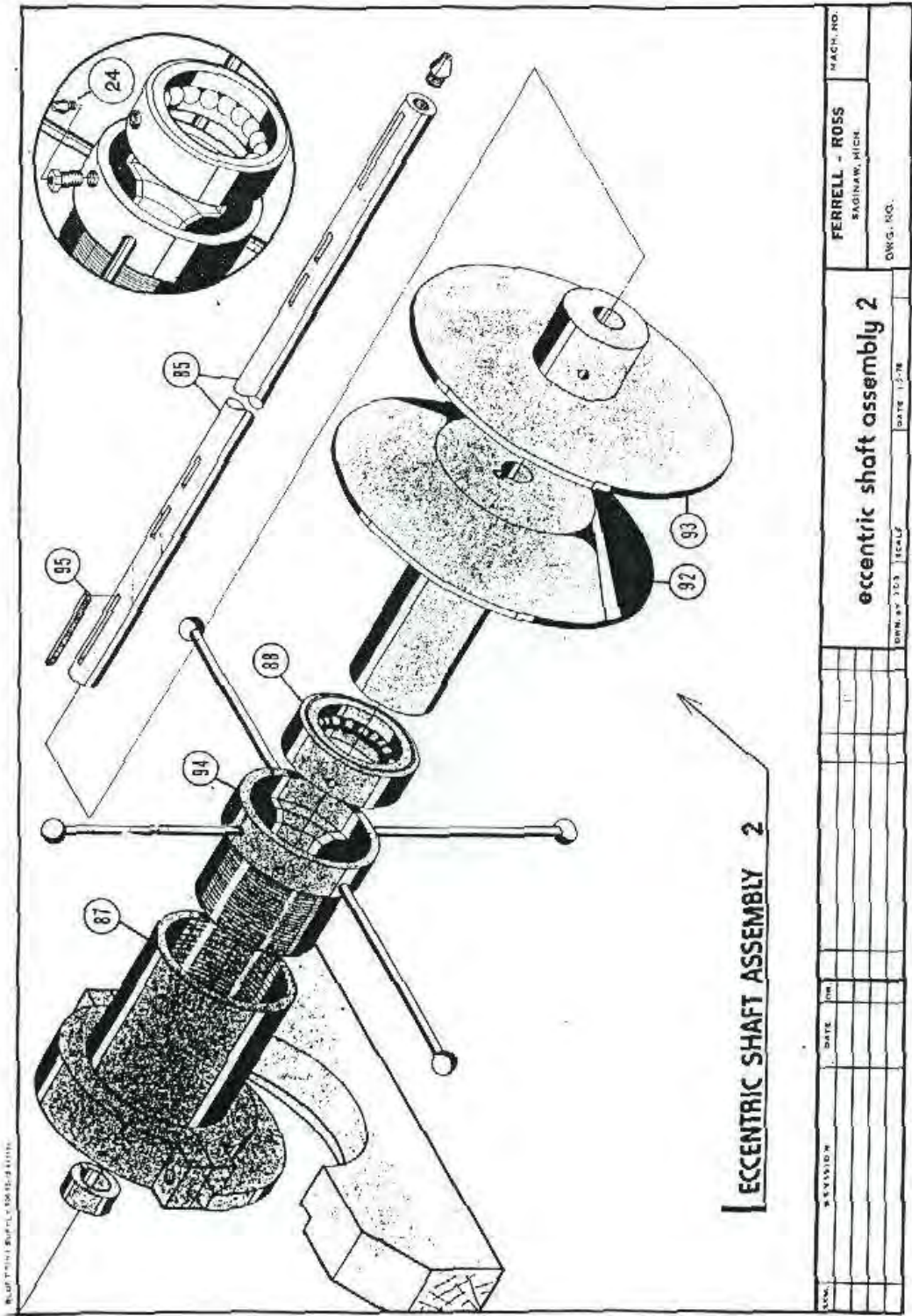


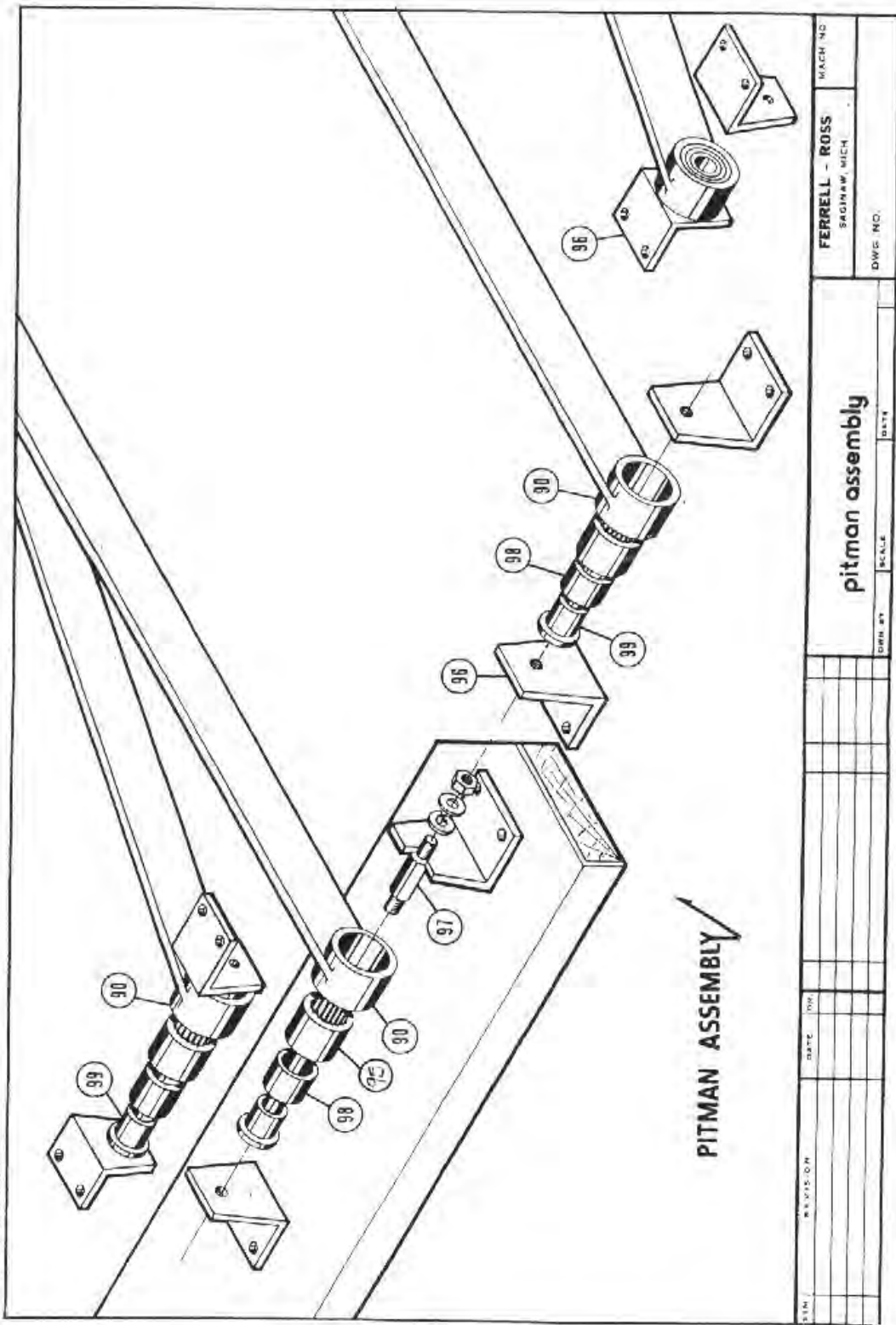
ALL DIMENSIONS UNLESS OTHERWISE NOTED



ECCENTRIC SHAFT ASSEMBLY 1

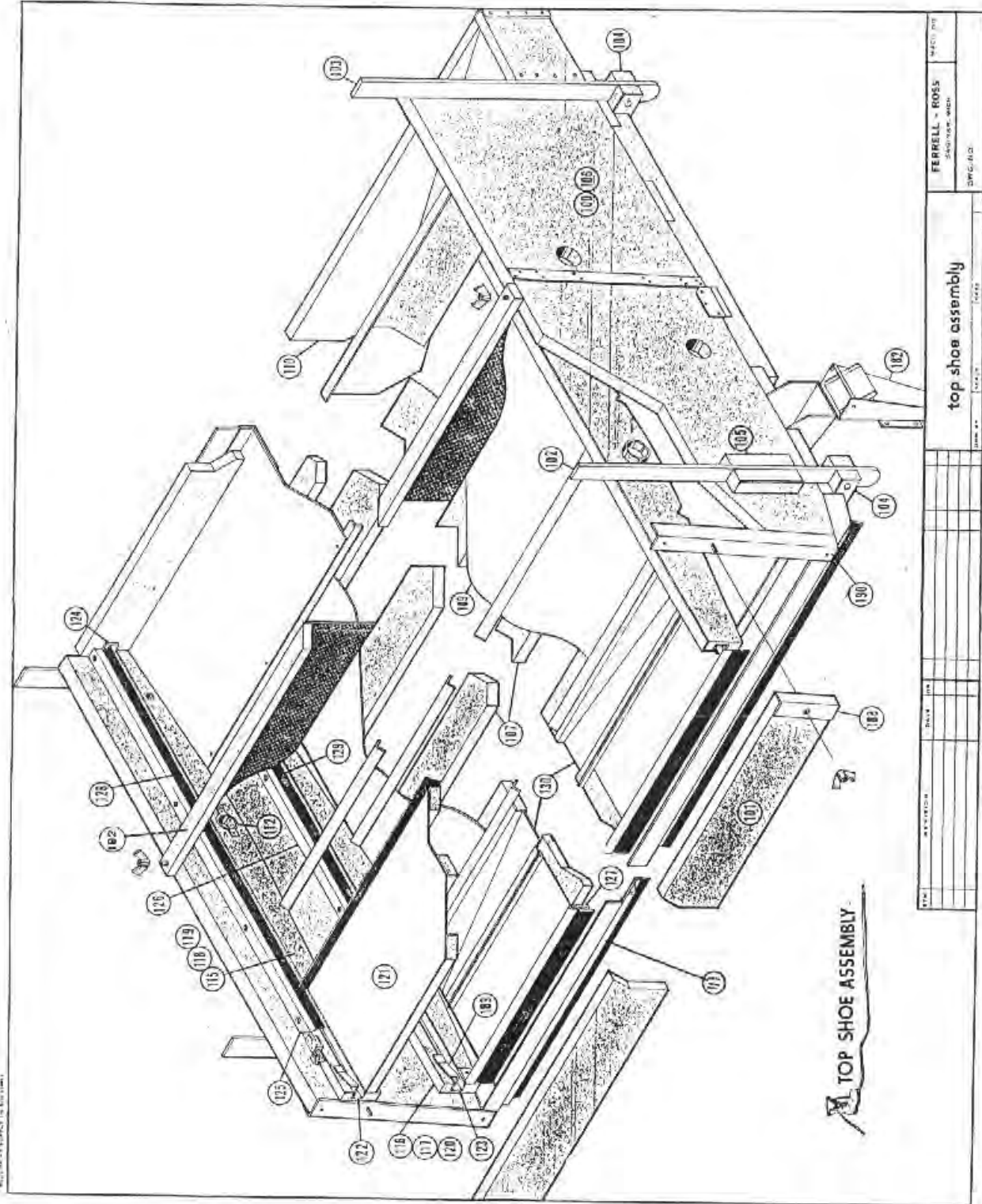
REV	REVISION	DATE	BY	SCALE	DATE	DRN BY	SCALE	DATE	FERRELL - ROSS BAGINAW, MICH.	WACH NO.	DWG NO.





PITMAN ASSEMBLY

DATE				DWG. BY				SCALE				DATE				DWG. NO.				FERRELL - ROSS			
DATE				DWG. BY				SCALE				DATE				DWG. NO.				FERRELL - ROSS			
DATE				DWG. BY				SCALE				DATE				DWG. NO.				FERRELL - ROSS			
DATE				DWG. BY				SCALE				DATE				DWG. NO.				FERRELL - ROSS			
DATE				DWG. BY				SCALE				DATE				DWG. NO.				FERRELL - ROSS			
DATE				DWG. BY				SCALE				DATE				DWG. NO.				FERRELL - ROSS			
DATE				DWG. BY				SCALE				DATE				DWG. NO.				FERRELL - ROSS			
DATE				DWG. BY				SCALE				DATE				DWG. NO.				FERRELL - ROSS			
DATE				DWG. BY				SCALE				DATE				DWG. NO.				FERRELL - ROSS			
DATE				DWG. BY				SCALE				DATE				DWG. NO.				FERRELL - ROSS			
DATE				DWG. BY				SCALE				DATE				DWG. NO.				FERRELL - ROSS			
DATE				DWG. BY				SCALE				DATE				DWG. NO.				FERRELL - ROSS			
DATE				DWG. BY				SCALE				DATE				DWG. NO.				FERRELL - ROSS			
DATE				DWG. BY				SCALE				DATE				DWG. NO.				FERRELL - ROSS			
DATE				DWG. BY				SCALE				DATE				DWG. NO.				FERRELL - ROSS			
DATE				DWG. BY				SCALE				DATE				DWG. NO.				FERRELL - ROSS			
DATE				DWG. BY				SCALE				DATE				DWG. NO.				FERRELL - ROSS			
DATE				DWG. BY				SCALE				DATE				DWG. NO.				FERRELL - ROSS			



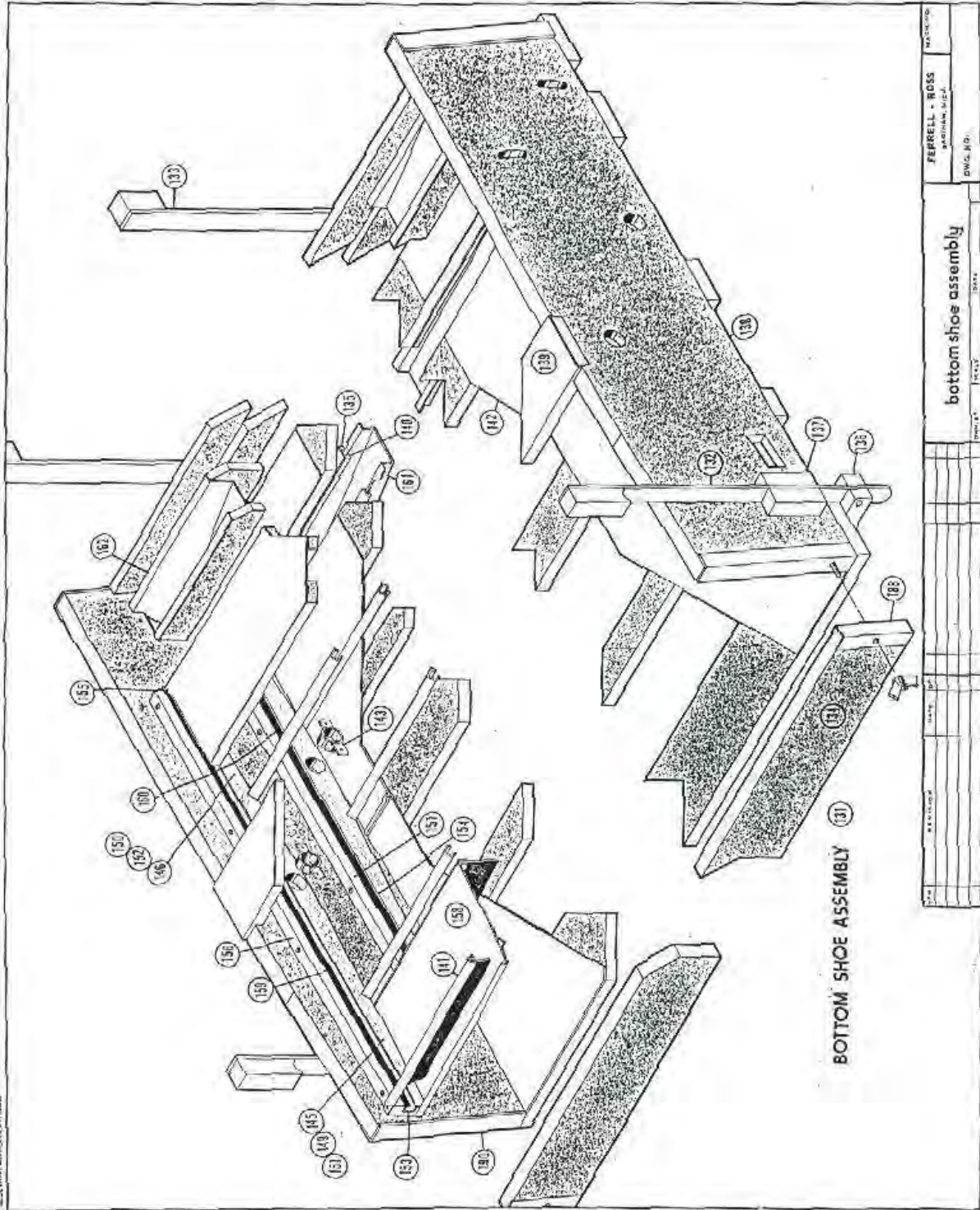
DATE	BY	CHKD	APPD	REV	1	1957	1	1

top shoe assembly

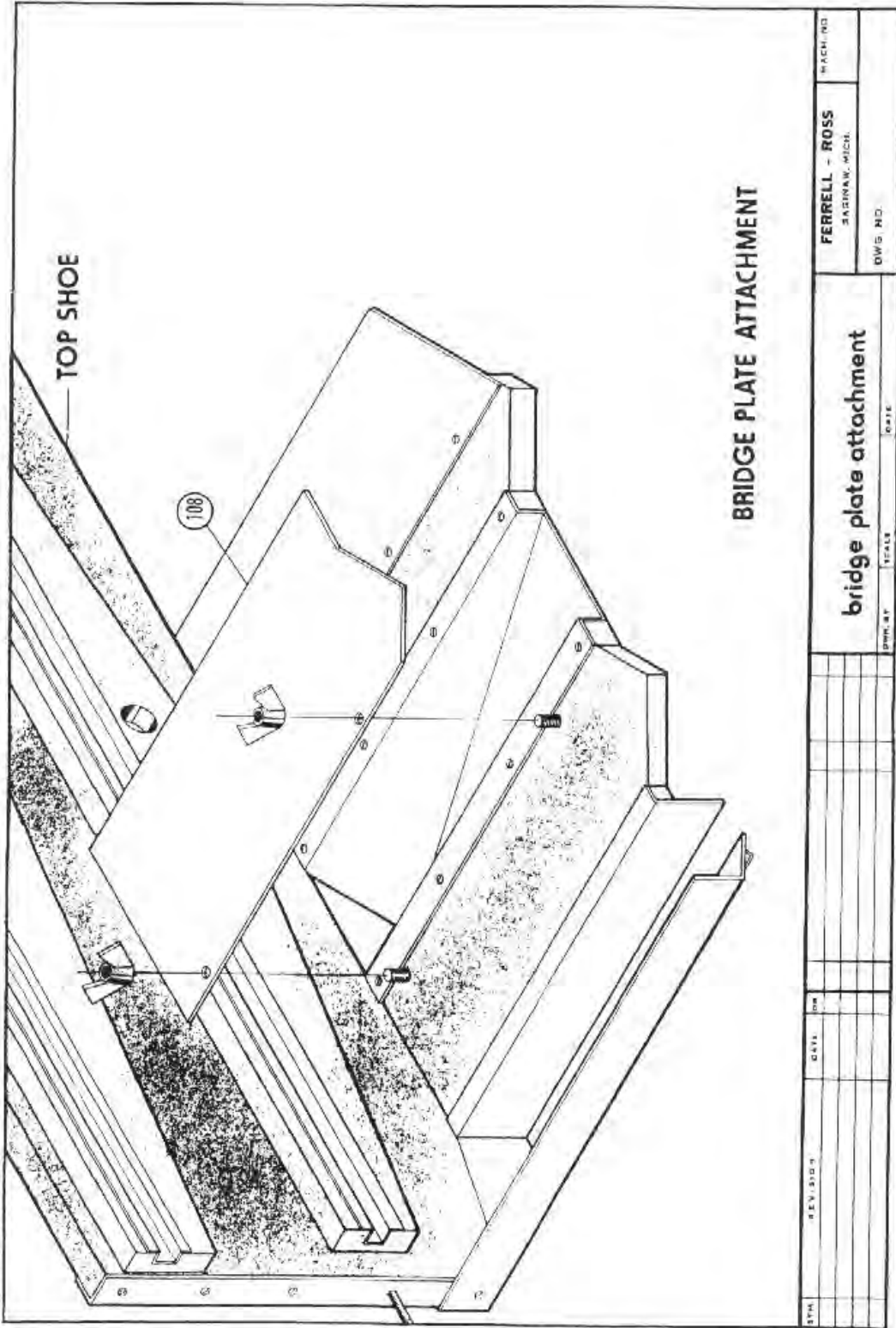
FERRELL & ROSS
250 PARK AVE.
NEW YORK 17, N.Y.

DWG. NO. 100-100

TOP SHOE ASSEMBLY



FERRELL - BOSS	
Sole Plate, Bottom	
DWG. NO. 1000	
bottom shoe assembly	
DWG. NO. 1000	
DWG. NO. 1000	
DWG. NO. 1000	
DWG. NO. 1000	
DWG. NO. 1000	
DWG. NO. 1000	
DWG. NO. 1000	
DWG. NO. 1000	



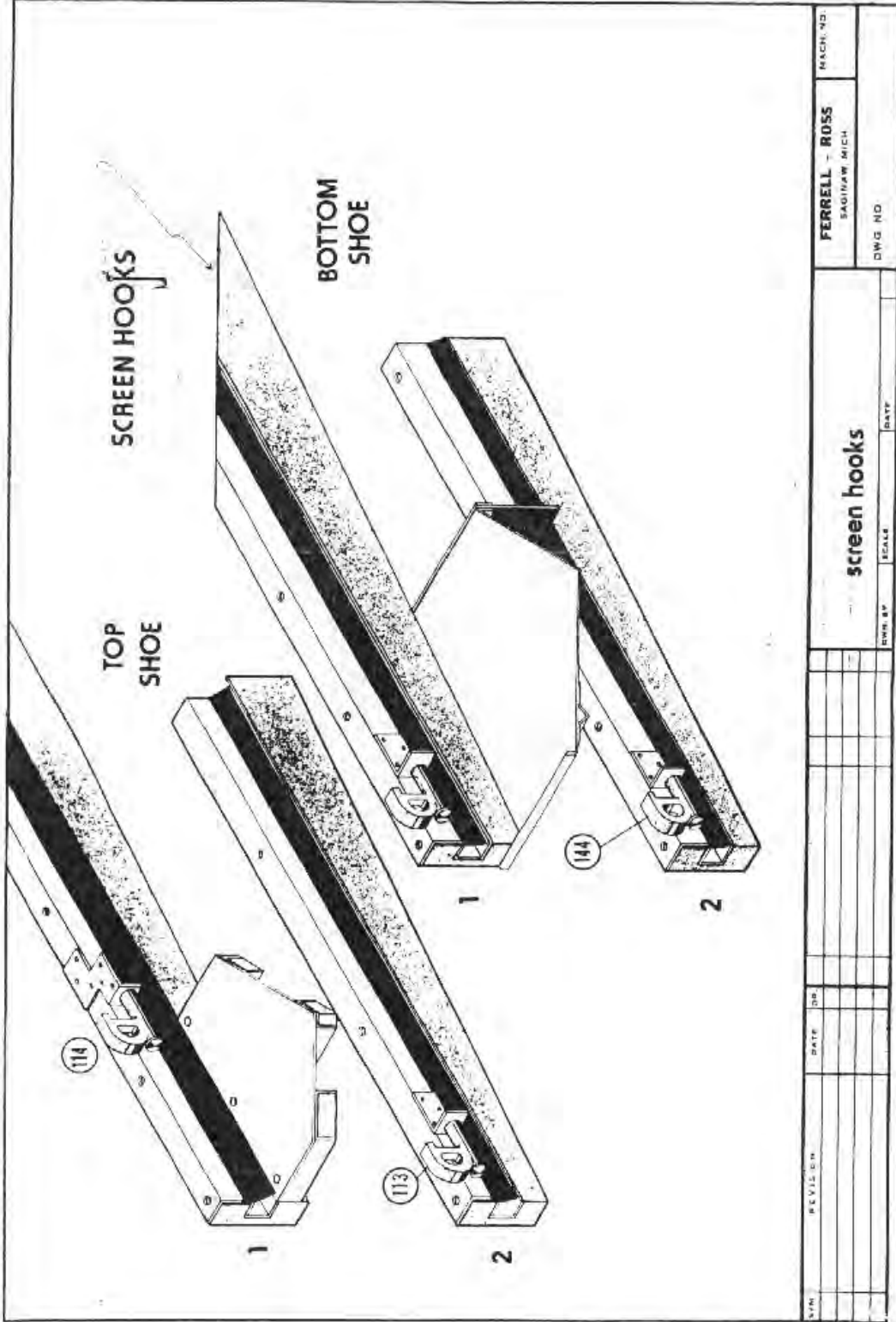
BRIDGE PLATE ATTACHMENT

FERRELL - ROSS	DWG NO.
SARINAW, MICHAEL	

bridge plate attachment

DATE	SCALE	DATE

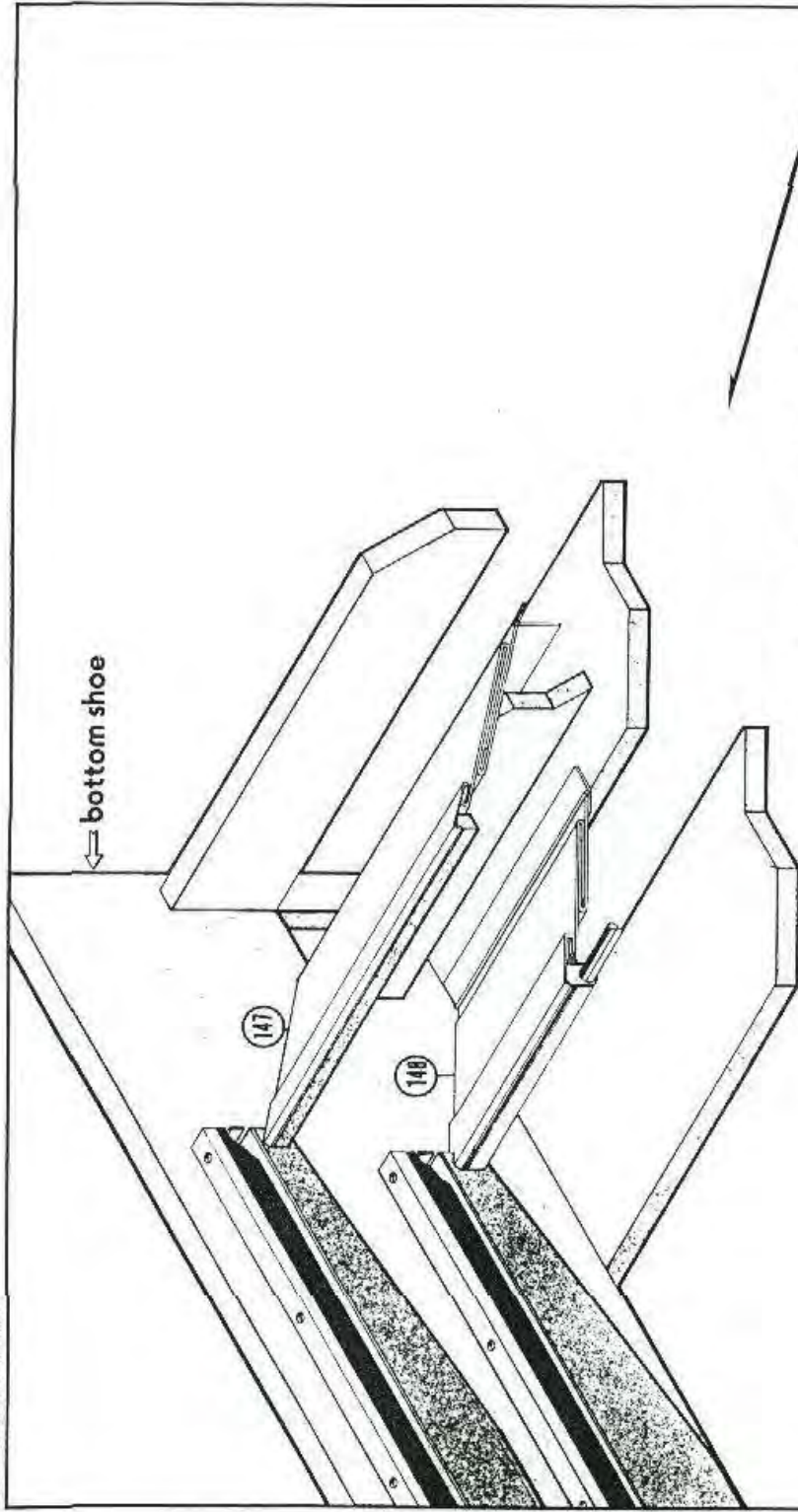
REV.	DATE	BY	CHKD.



REPLACEMENT PARTS DIVISION

DATE	REVISED	DATE	DRAWN BY	SCALE	DATE	FERRELL - ROSS SAGINAW, MICH.	MACH. NO.
						screen hooks	
							DWG. NO.

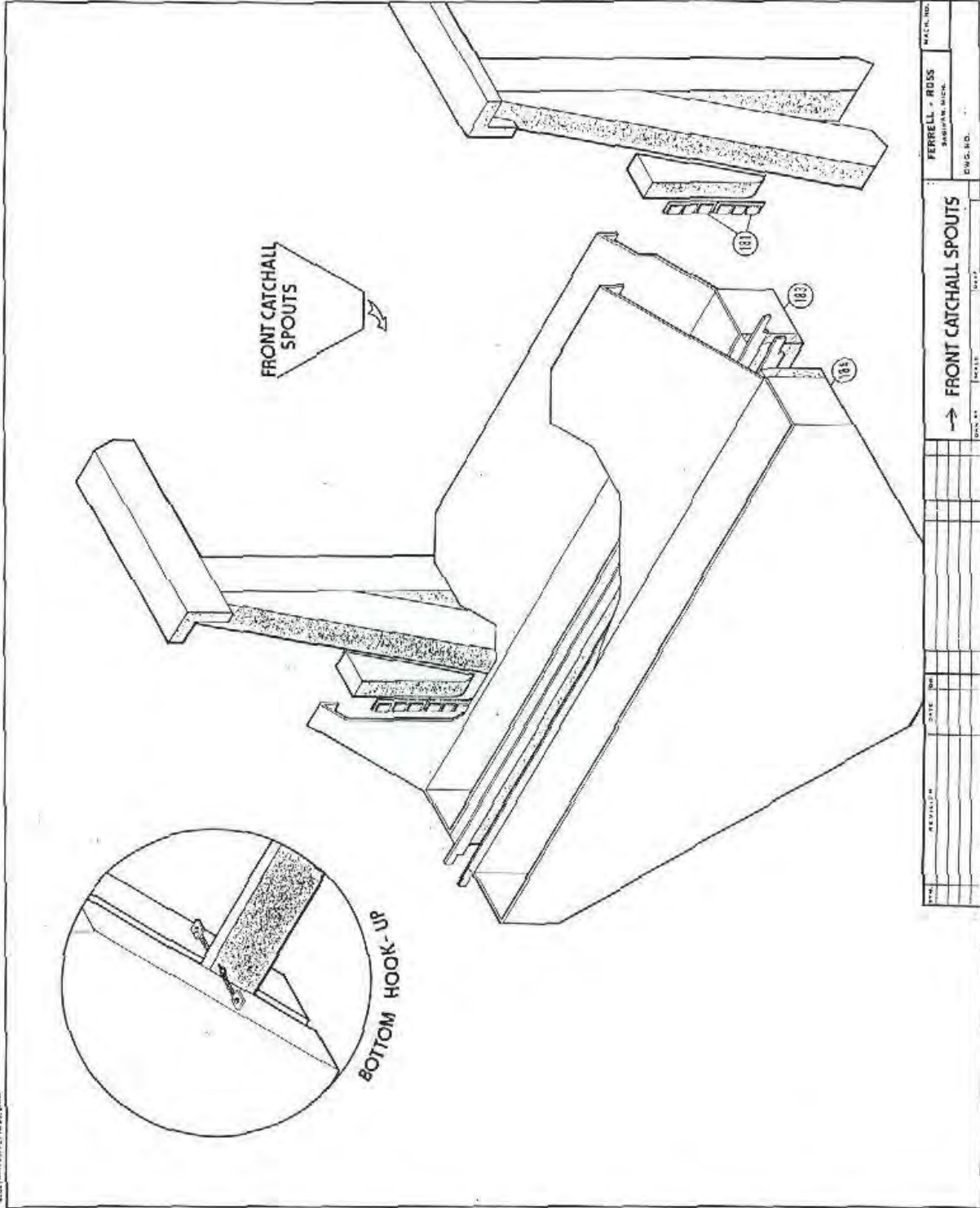
BLUE PRINT SUPPLY COMPANY, INC.



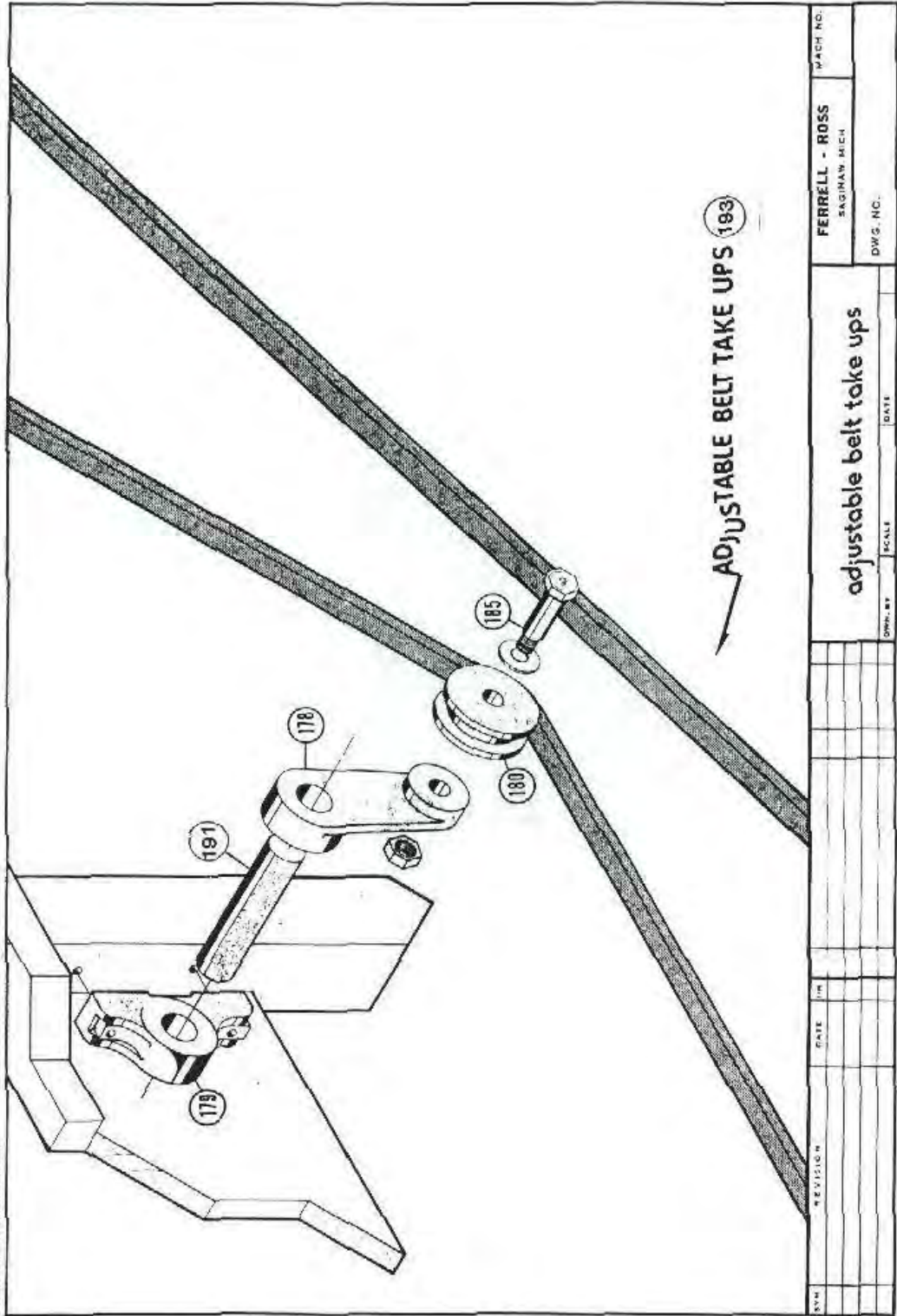
← bottom shoe

ARRANGEMENT FOR TELESCOPIC APRONS

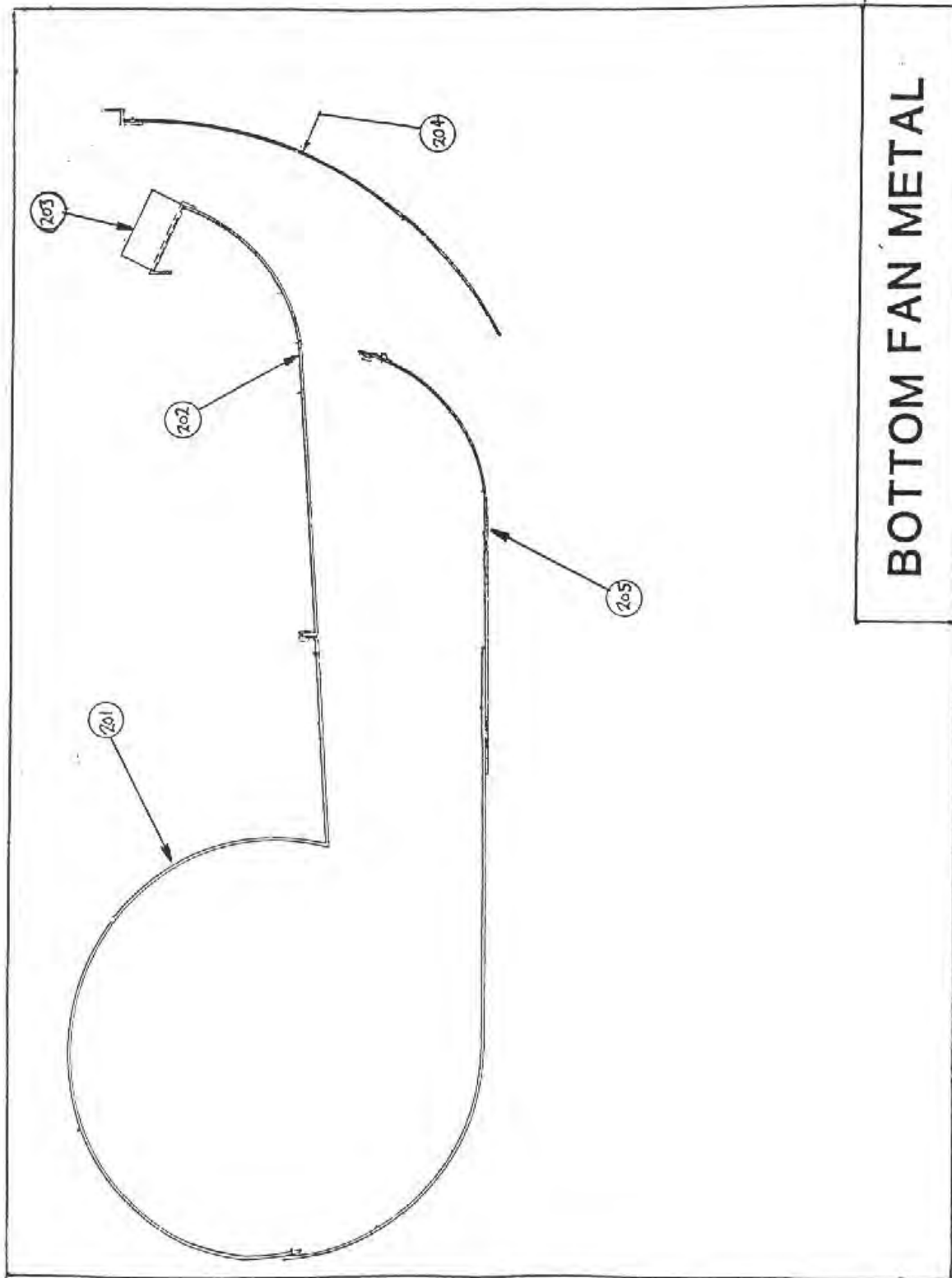
SYM	REVISION	DATE	BY	SCALE	DATE	FERRELL - ROSS		MECH. NO
						SAGINAW, MICH		
DRAWN BY						DWG. NO		
TITLE						arrangement for telescopic aprons,		



DATE		REV		BY		CHKD BY		SCALE		TWT		DWG. NO.		FERRELL - ROSS SHAWAN MICH. ENGR. REG.	

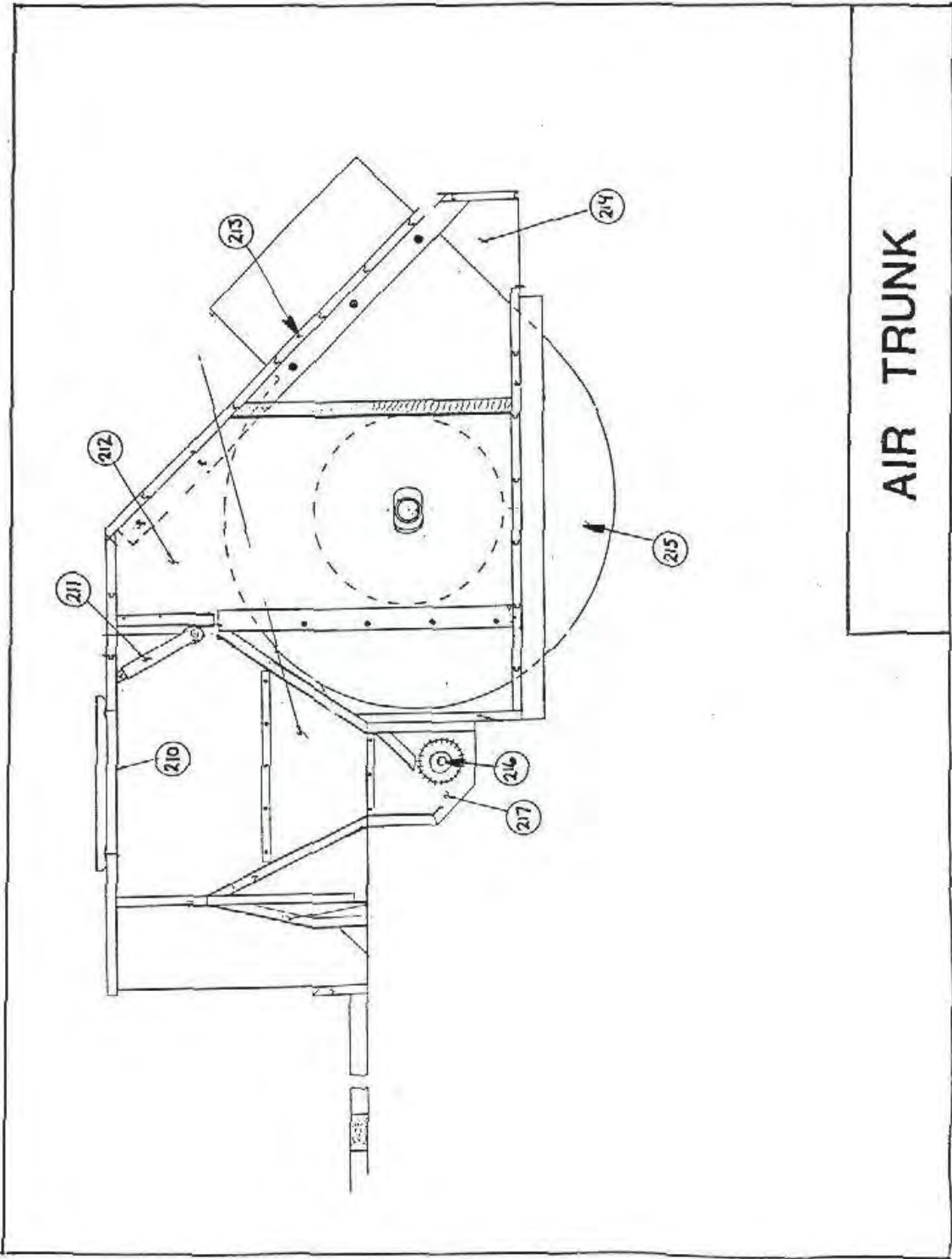


SYN		REVISION		DATE	BY	SCALE	DATE	DWG. NO.		MACH. NO.	
								FERRELL - ROSS		SAGINAW, MICH.	
adjustable belt take ups								DWS - NC.			



BOTTOM FAN METAL

25



AIR TRUNK

Rocker Assembly View Ball Trays

