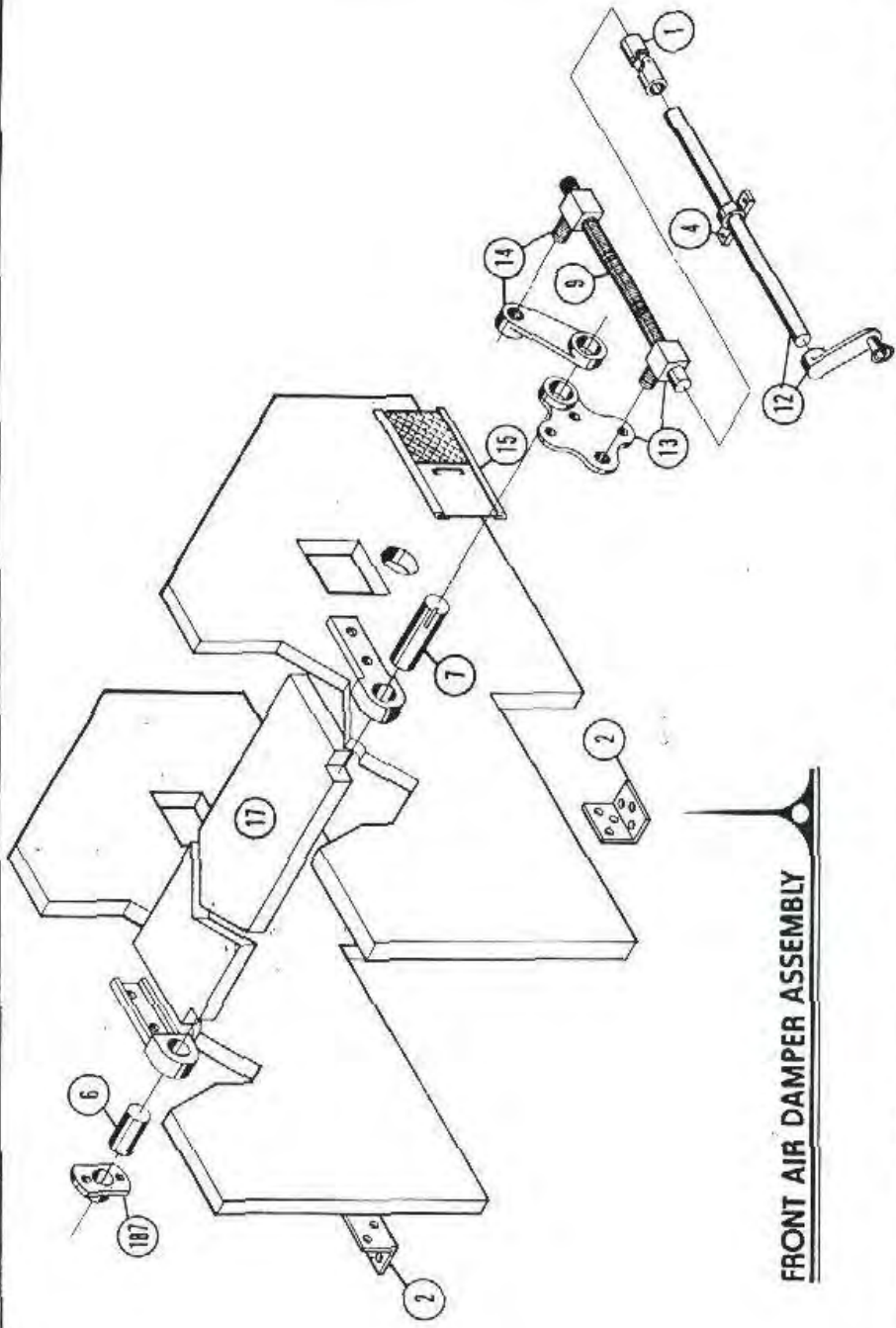


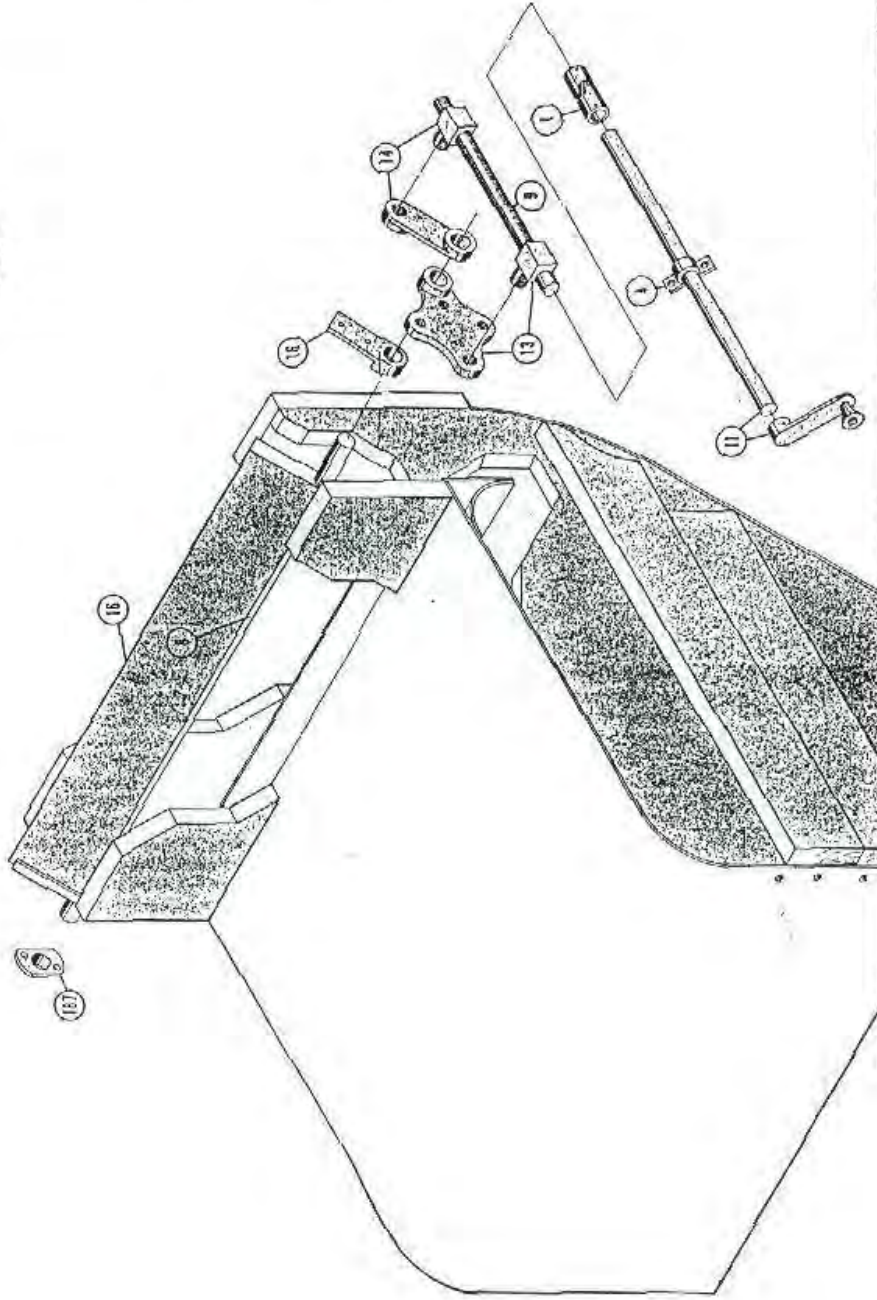
BLUE PRINT SUPPLY & SERVICE CO., INC.



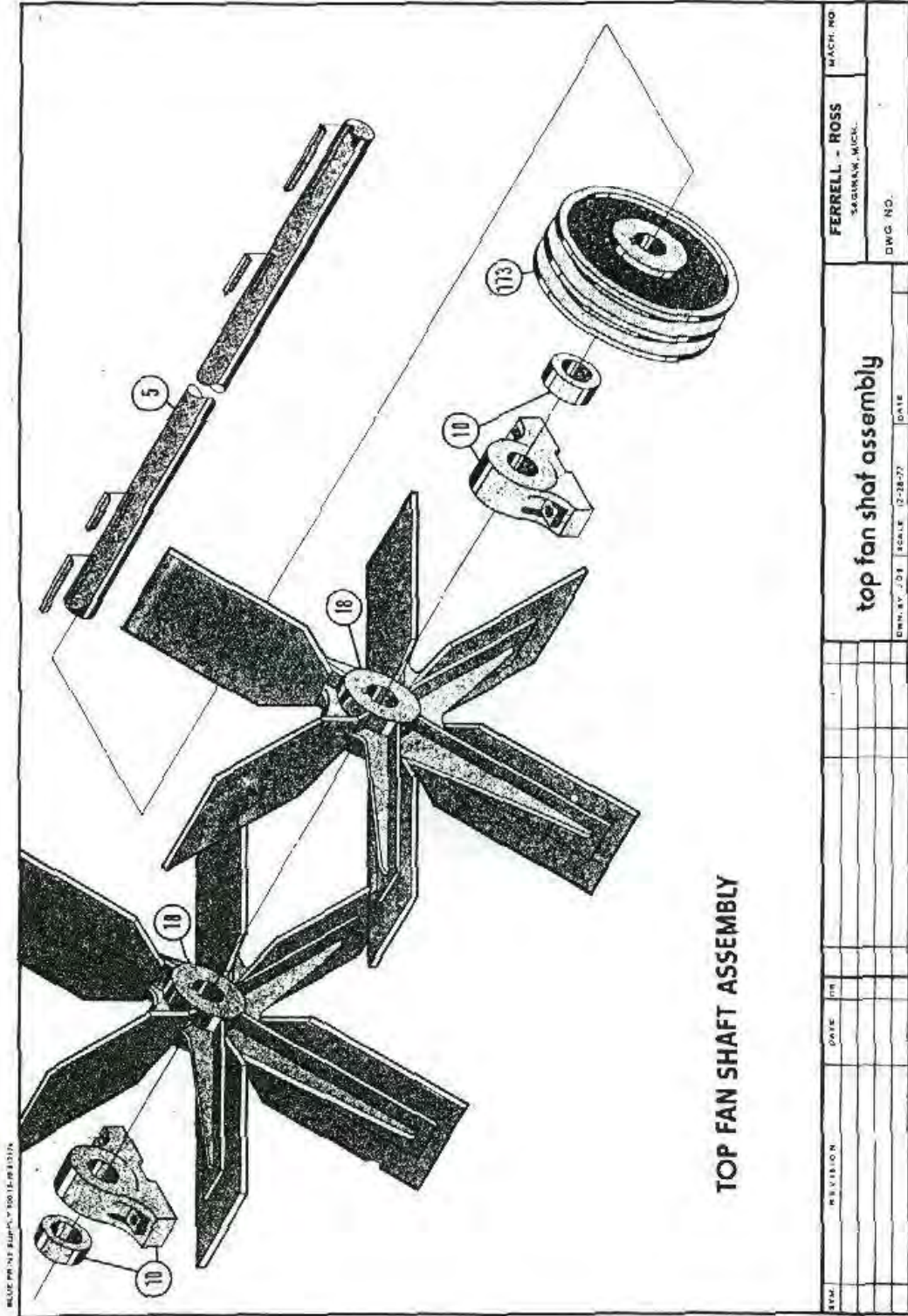
FRONT AIR DAMPER ASSEMBLY

SYM		REVISION		DATE	ON	DRAWN BY		SCALE	DATE
						front air damper assembly			
FERRELL - ROSS						MICH. NO.			
SAGINAW MICH.						DWG. NO.			

BACK AIR DAMPER : TOP FAN SECTION



DATE	BY	CHKD	APP'D	REV	DATE	BY	CHKD	APP'D	REV	DATE	BY	CHKD	APP'D	REV	DATE	BY	CHKD	APP'D	REV	
back air damper										FENNEL - ROSS ENGINEER IN CH.										
										DRAWING NO.										
										REV. NO.										



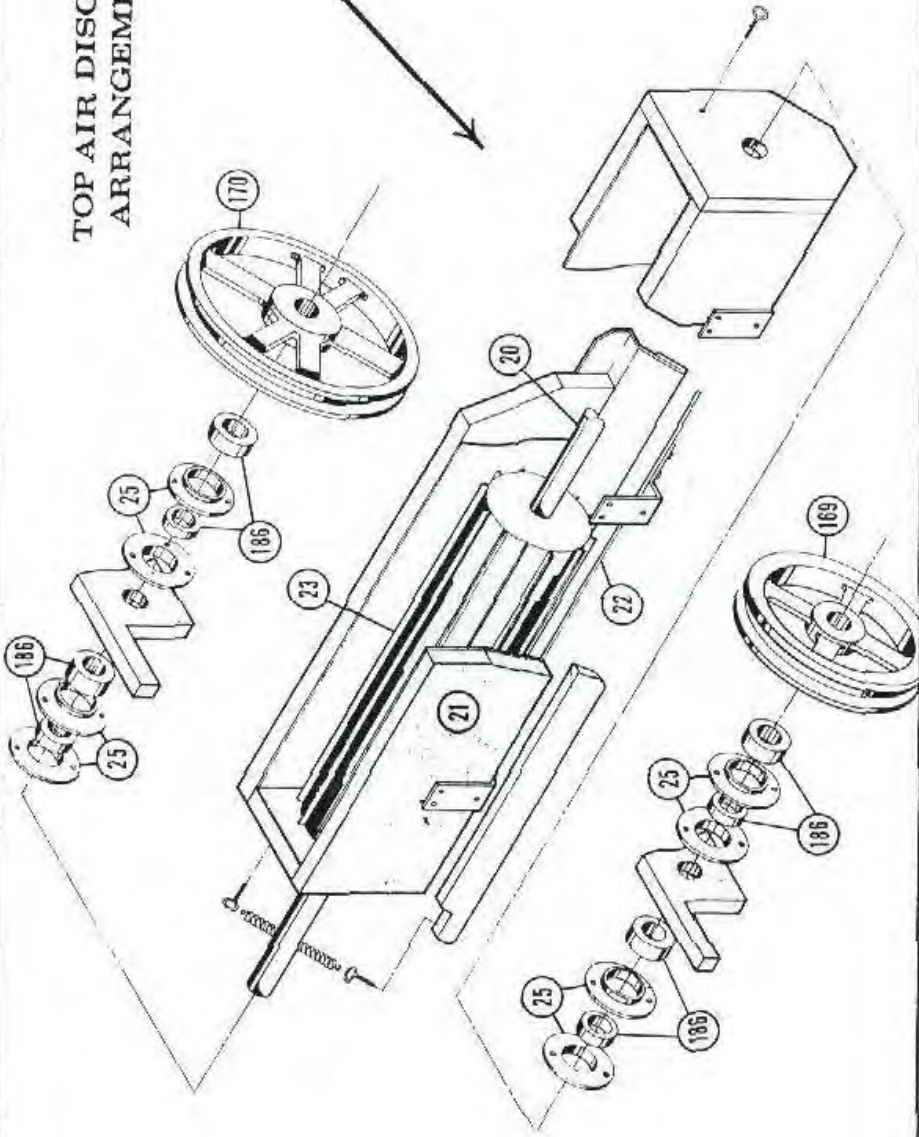
SCALE PRINTED SUPPLY 1500 1/8" = 1" 3/16"

TOP FAN SHAFT ASSEMBLY

REV.	REVISION	DATE	BY	DATE	SCALE	DWG. NO.	DWG. NO.	MACH. NO.
top fan shaft assembly								

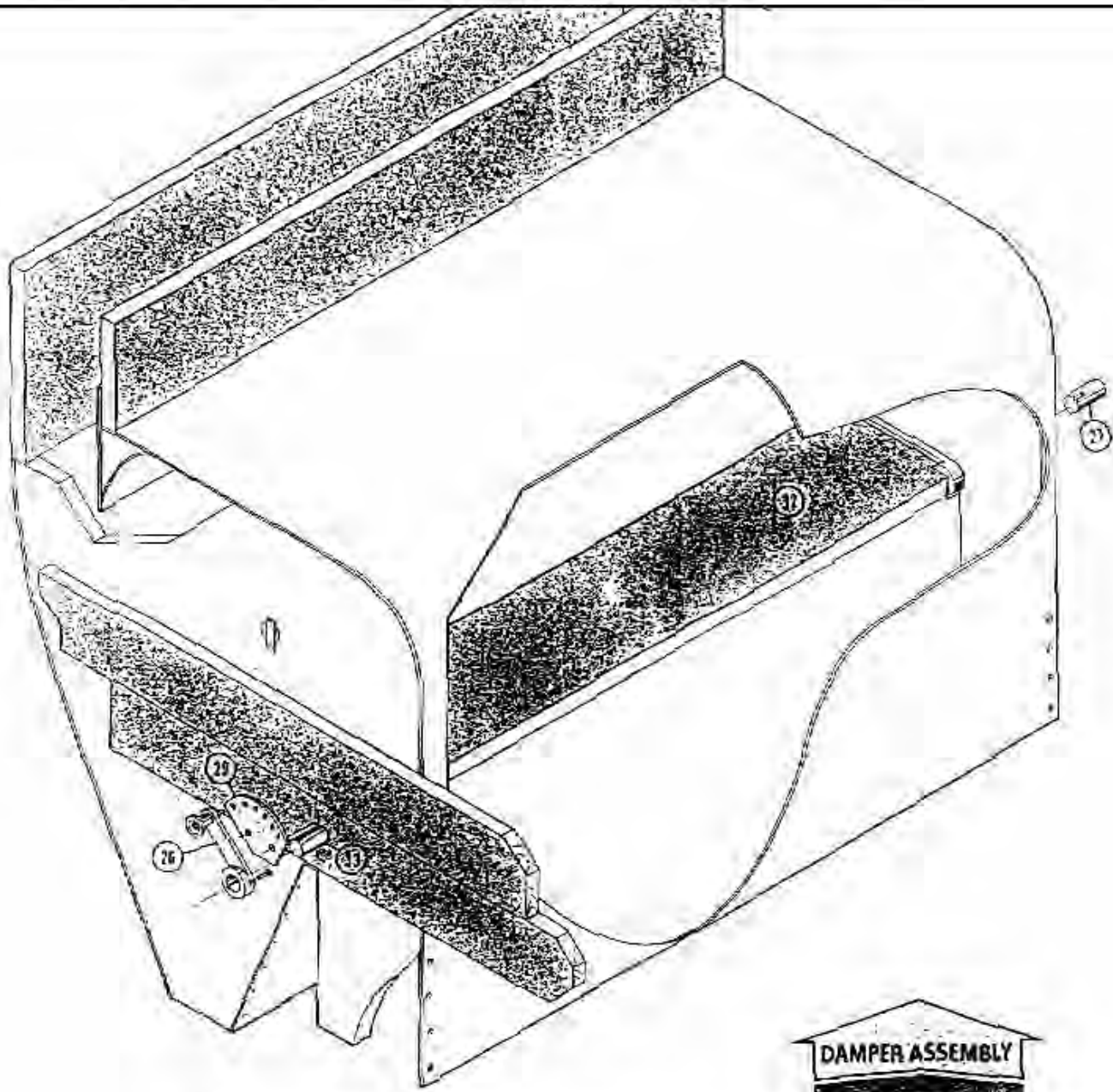
MULTI PRINT SUPPLY CO. 2500 E. 47th St.

TOP AIR DISCHARGE ARRANGEMENT



SYN.	REV. NO.	DATE	BY	DATE	SCALE	DRAWN BY	J. B.	DATE	2-10-17	DWG. NO.		MACH. NO.	
- top air discharge arrangement											FERRELL - ROSS		
											SAGINAW, MICH.		

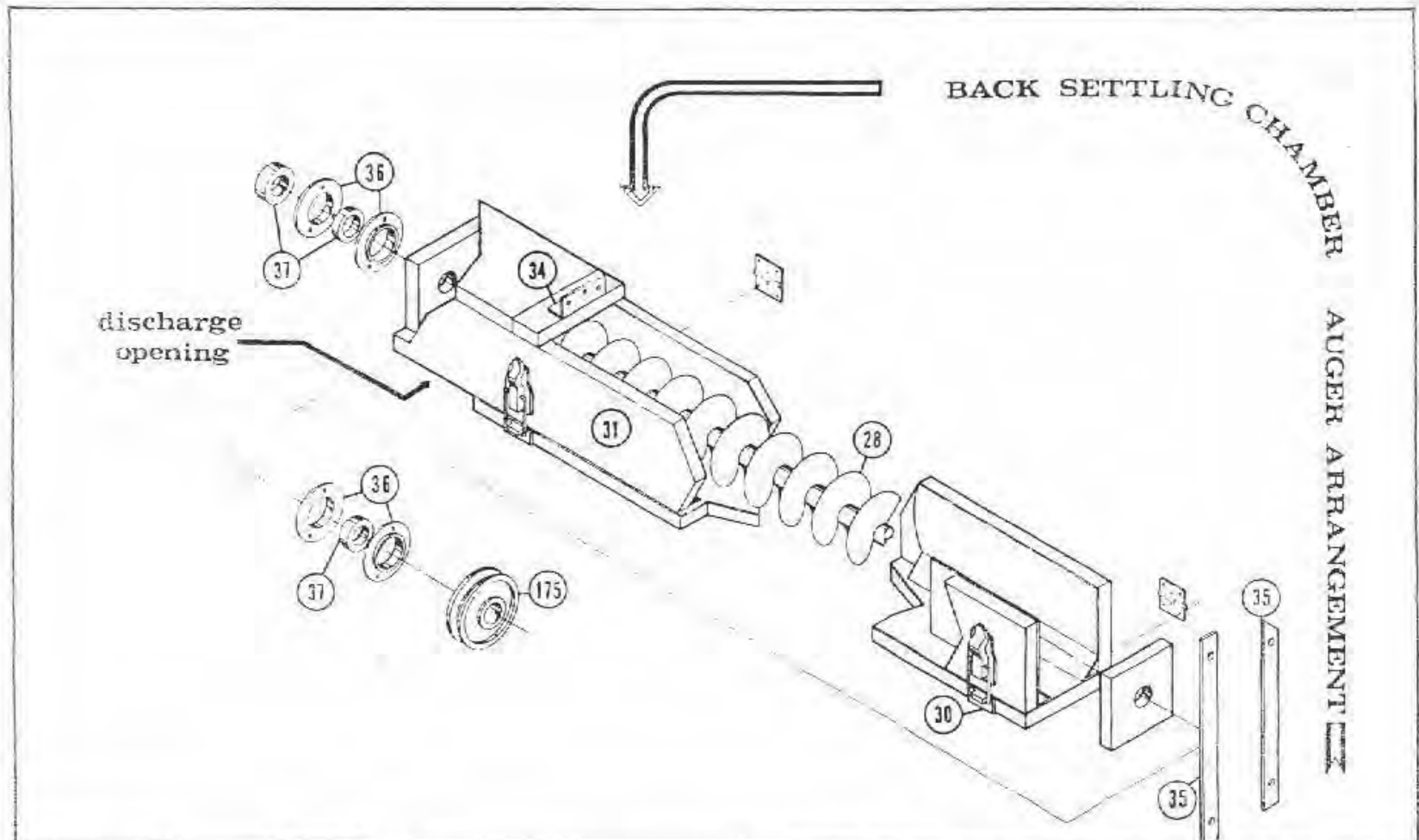
5



DAMPER ASSEMBLY

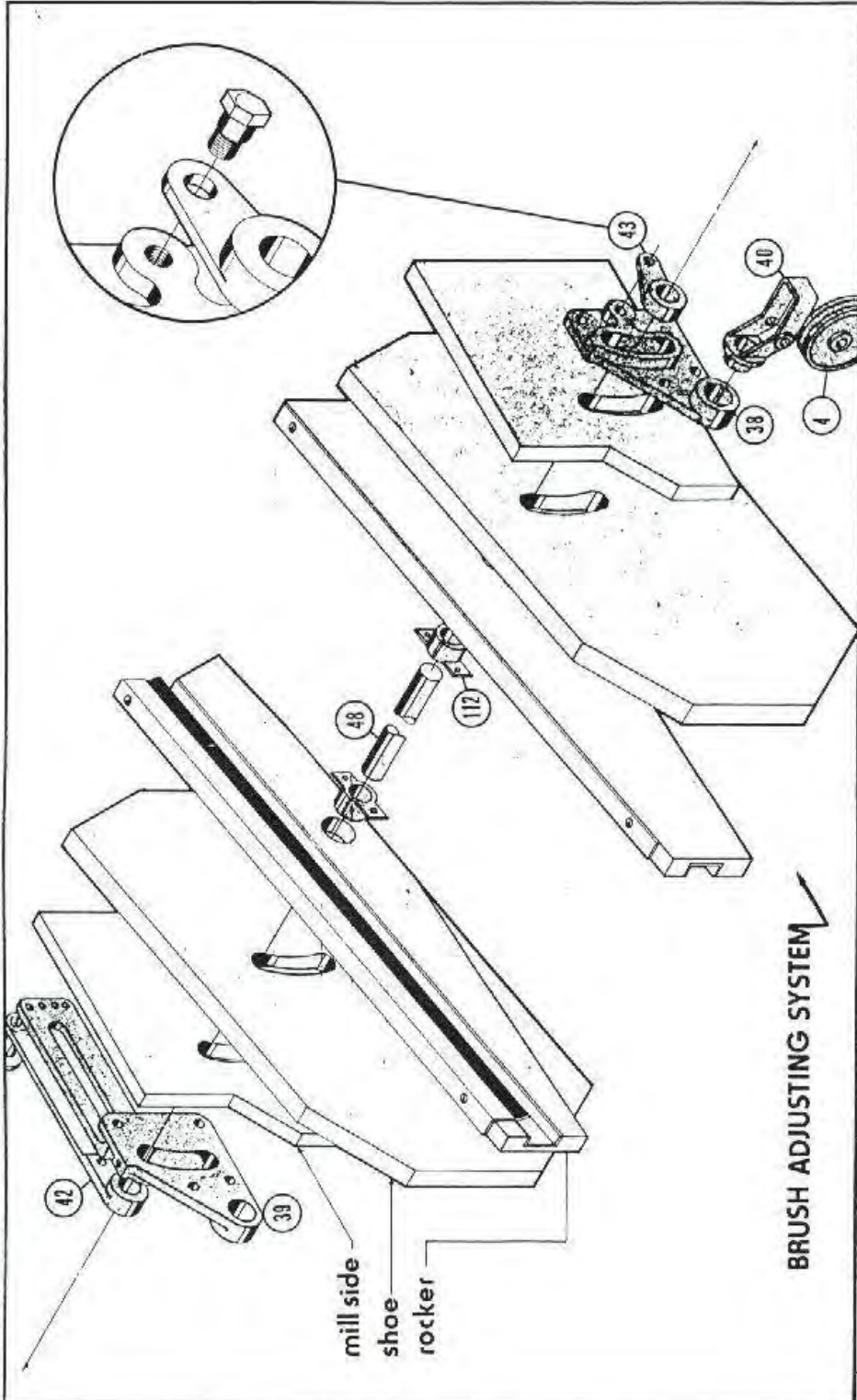
REV	DATE	BY	CHKD	APP'D	DESCRIPTION	FERRELL - ROSS	WORK NO.
					damper assembly	WATER WHEEL	
						DWR NO.	

6



NO.	REVISION	DATE	BY	CHKD.	APPROVED	back settling chamber auger arrangement	FERRELL - ROSS SAGINAW MICH.	MACH. NO.
						DWN BY JDS SCALE	DATE 12-28-72	

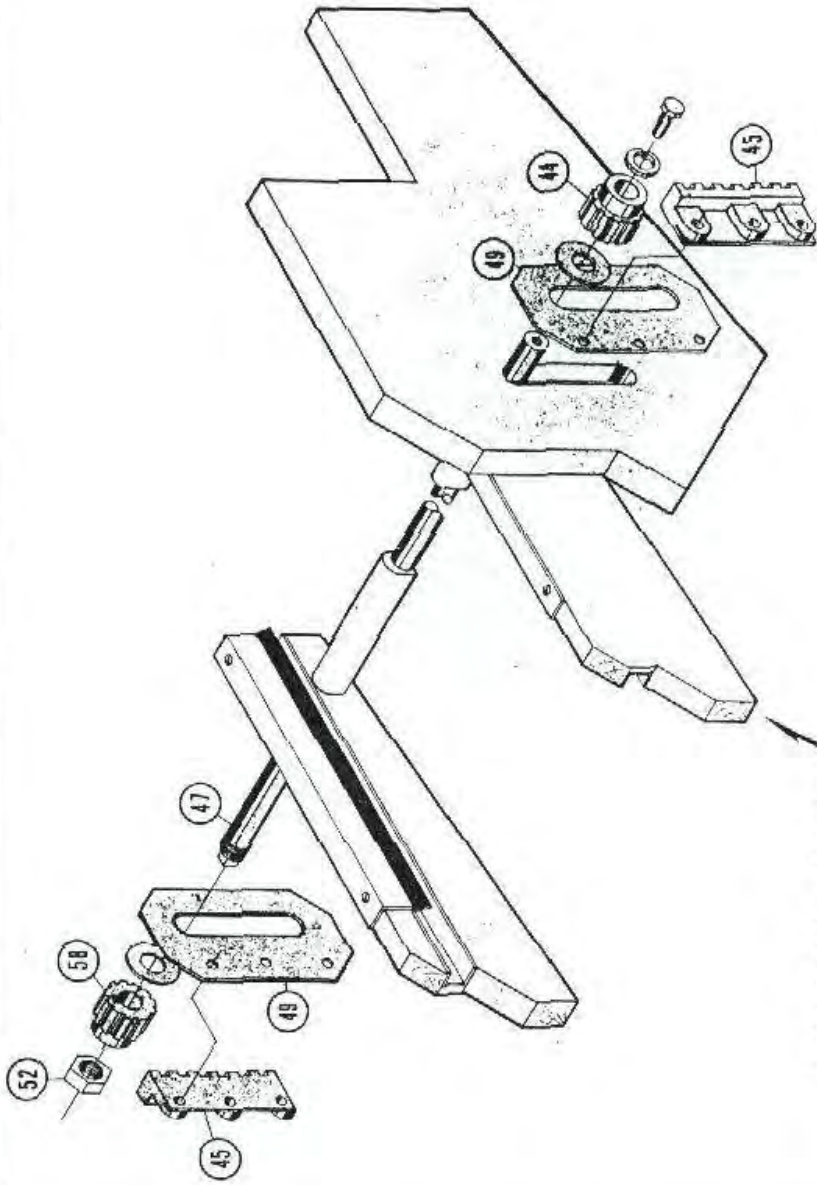
WET-PRINT SUPPLY CO. U.S.A.



BRUSH ADJUSTING SYSTEM

DATE	DATE	DATE	DATE	DATE	DATE	DATE	DATE	DATE	DATE
W. E. VAN DYKE	DATE	DATE	DATE	DATE	DATE	DATE	DATE	DATE	DATE
OWNR. #	SCALE	DATE	brush adjusting system						
FERRELL - ROSS		MACH. NO.		DWG. NO.					
BAGINAW, MICH.									

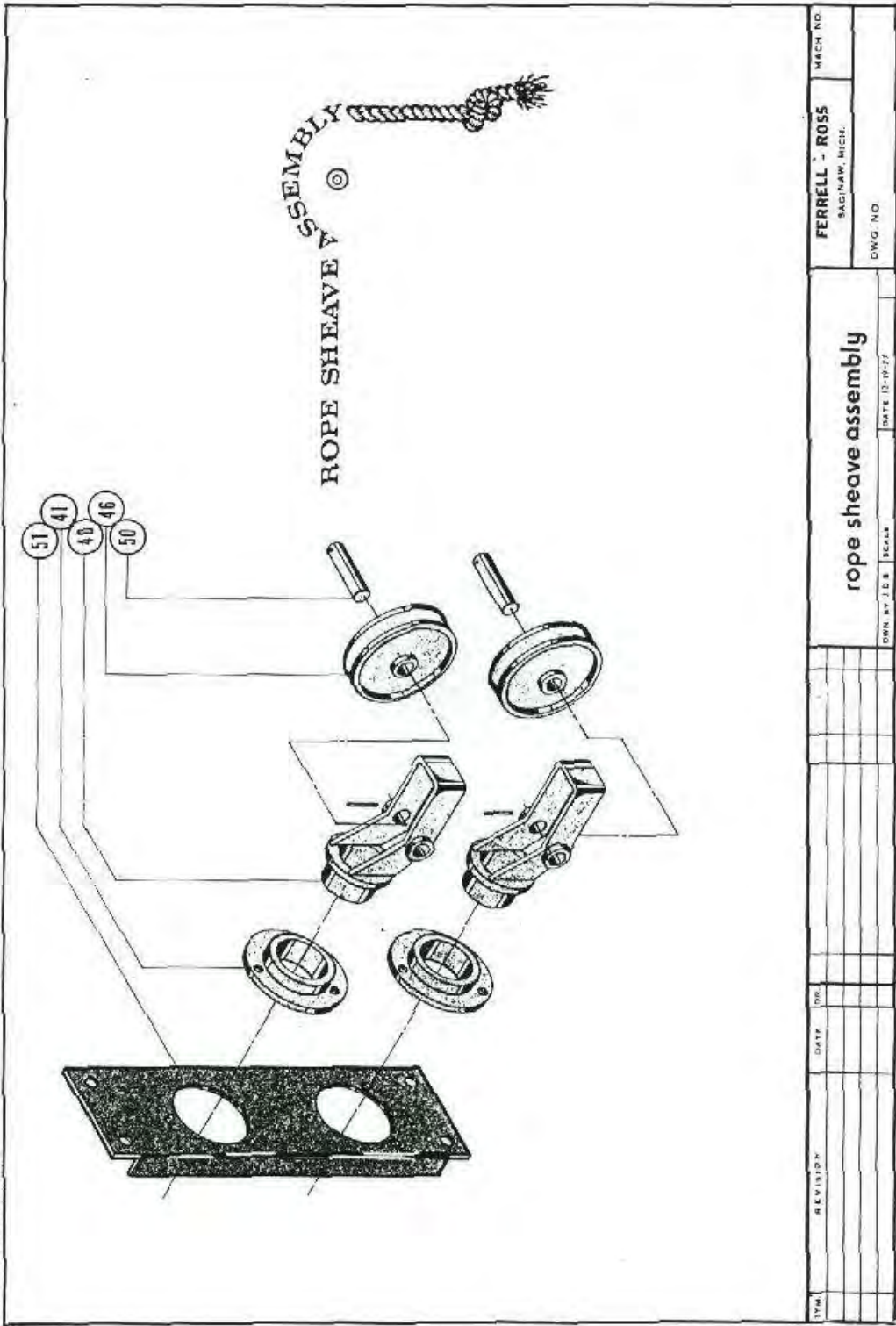
BLADE PRINT SUPPLY - NO. 12-10-8-1124



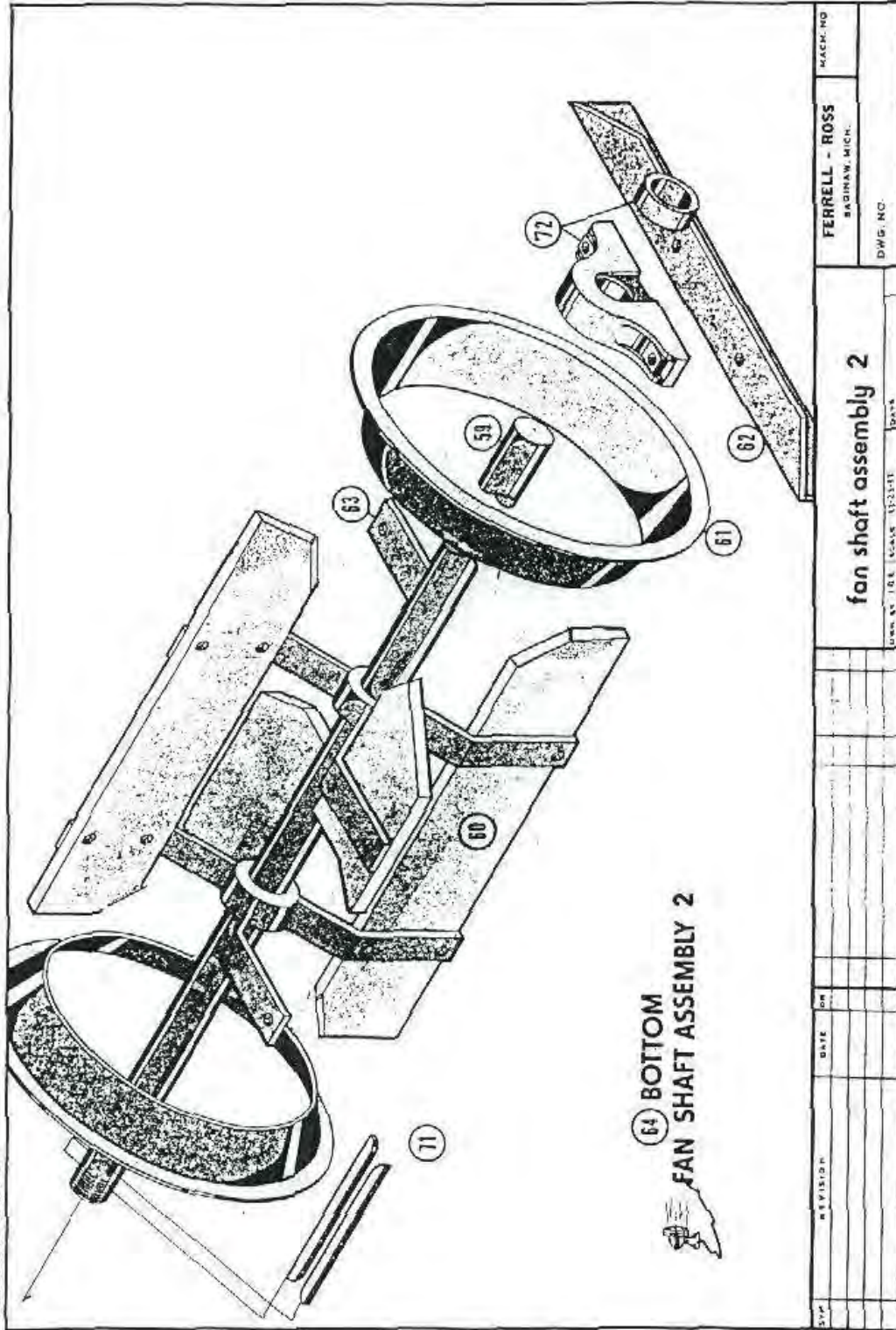
TILTING ROD ASSEMBLY

SYN.		REV. NO.		DATE		DWG. NO.		SCALE		DATE	
FERRELL - ROSS SAGINAW, MICH.						DWG. NO.					
MACH. NO.						tilting rod assembly					

BLUE PRINT & SUPPLY CO. (249) 51174

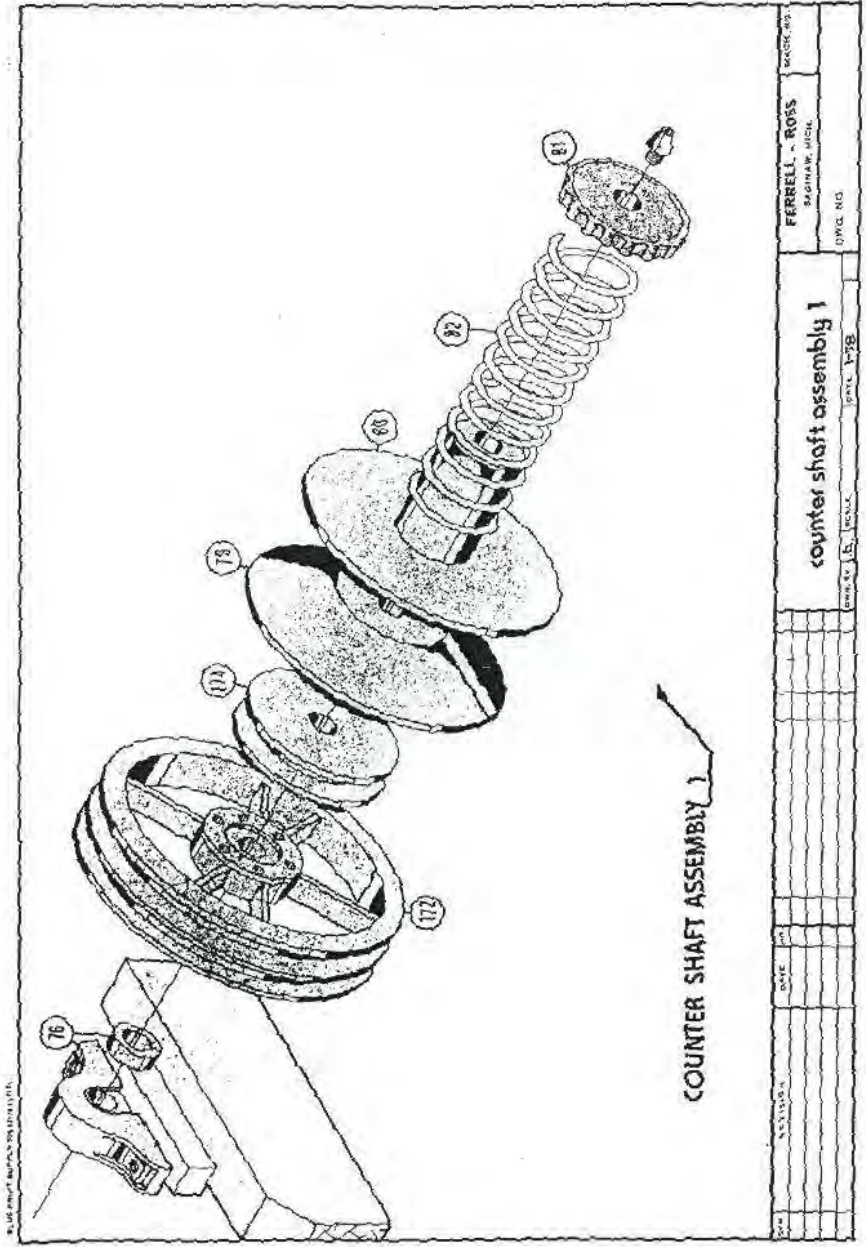


NO.	REV.	DATE	BY	SCALE	DATE	DESCRIPTION	DWG. NO.	MACH. NO.
						rope sheave assembly		
						DOWN BY J. E. B.		
						DATE 12-19-27		
						FERRELL - ROSS		
						SAGINAW, MICH.		



64 BOTTOM
FAN SHAFT ASSEMBLY 2

SYN		REVISION	DATE	BY	DWG. NO. 100-1-10000-132311	DATE	DWB, INC.	MACH. NO.
					fan shaft assembly 2		FERRELL - ROSS	
							BADINAW, MICH.	

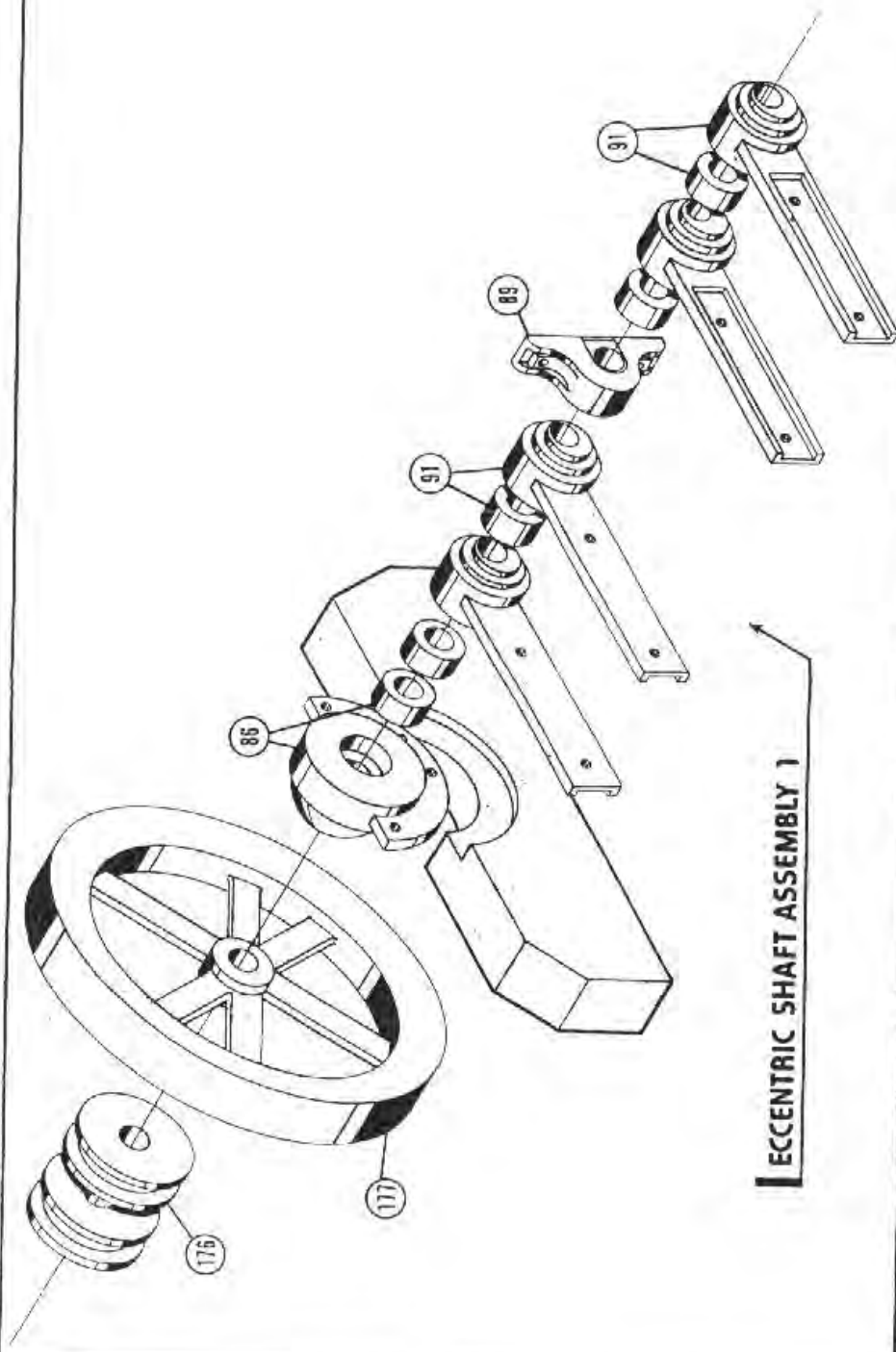


DATE		DRAWN BY		CHECKED BY		DATE		DWG. NO.	
DATE		DRAWN BY		CHECKED BY		DATE		DWG. NO.	
DATE		DRAWN BY		CHECKED BY		DATE		DWG. NO.	

FERRELL - ROSS
 SAGINAW, MICH.
 DWG. NO.

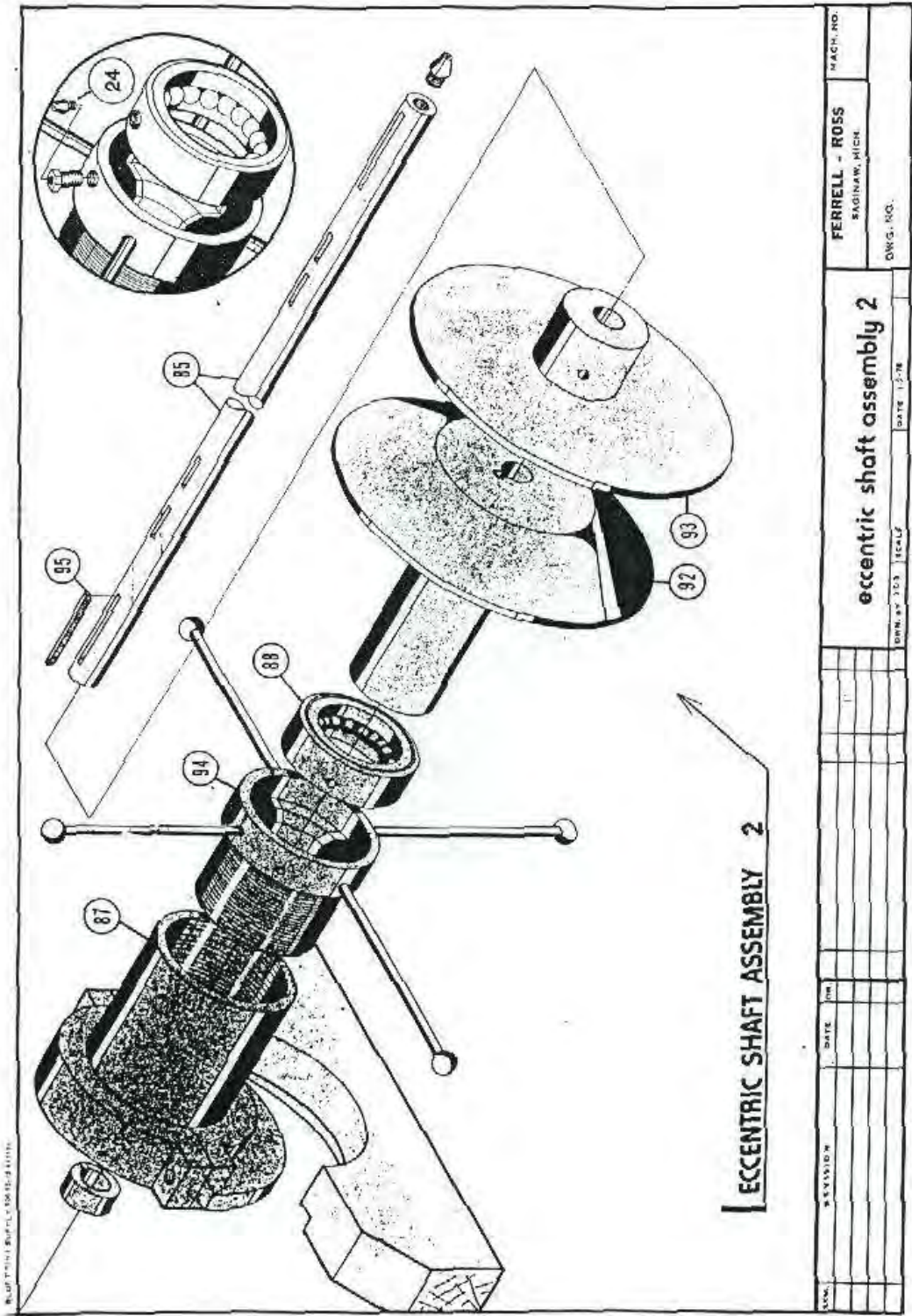
counter shaft assembly 1
 DATE: 1-28

MULTIPLE VIEWS SUBMITTED BY 8/1/74

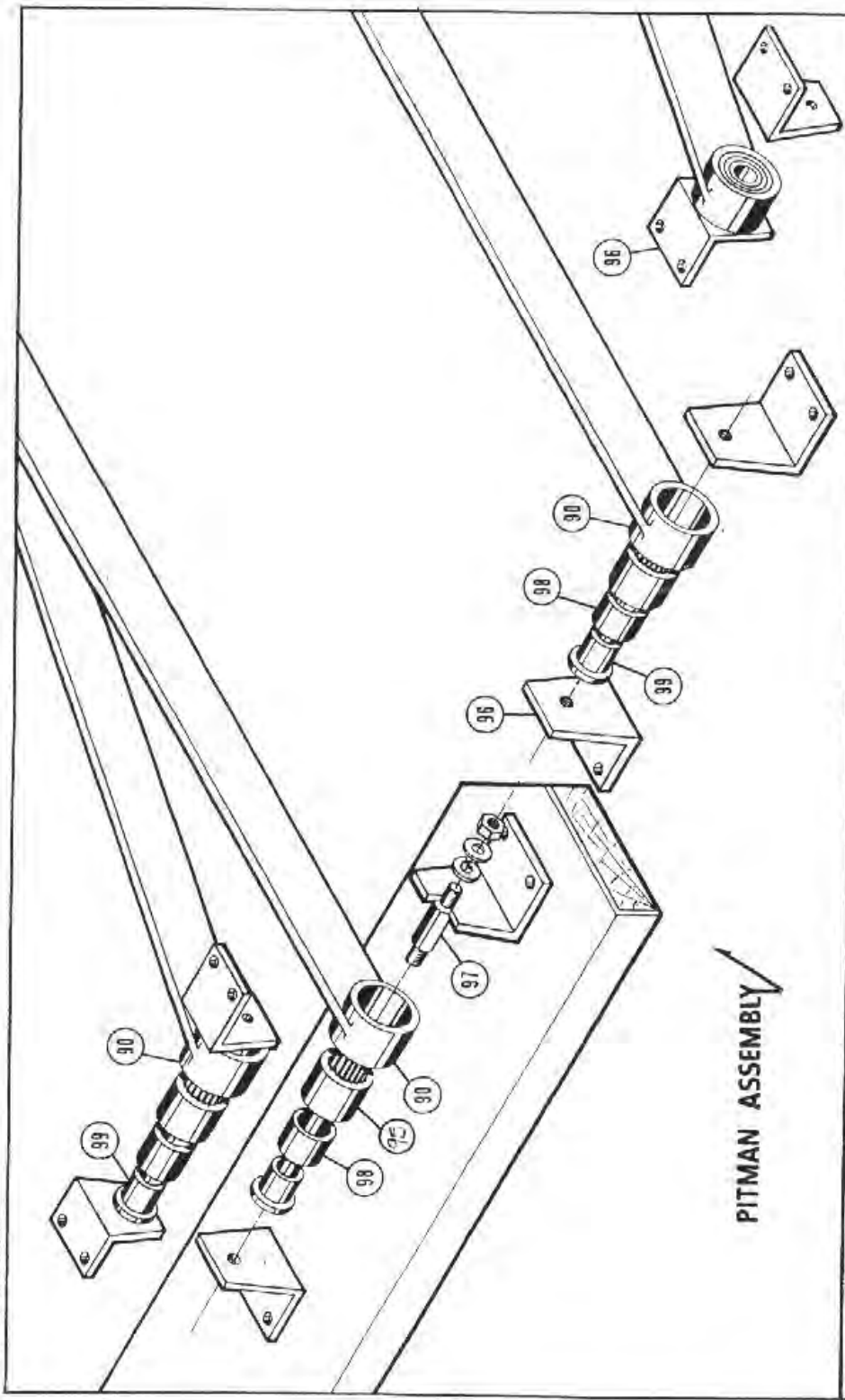


ECCENTRIC SHAFT ASSEMBLY 1

DWG NO.		DATE		DWG NO.		DATE	
FERRELL - ROSS		RAGINAW, MICH.		WACH NO.			
eccentric shaft assembly 1				SCALE			
REV	REVISION	DATE	BY	REV	REVISION	DATE	BY

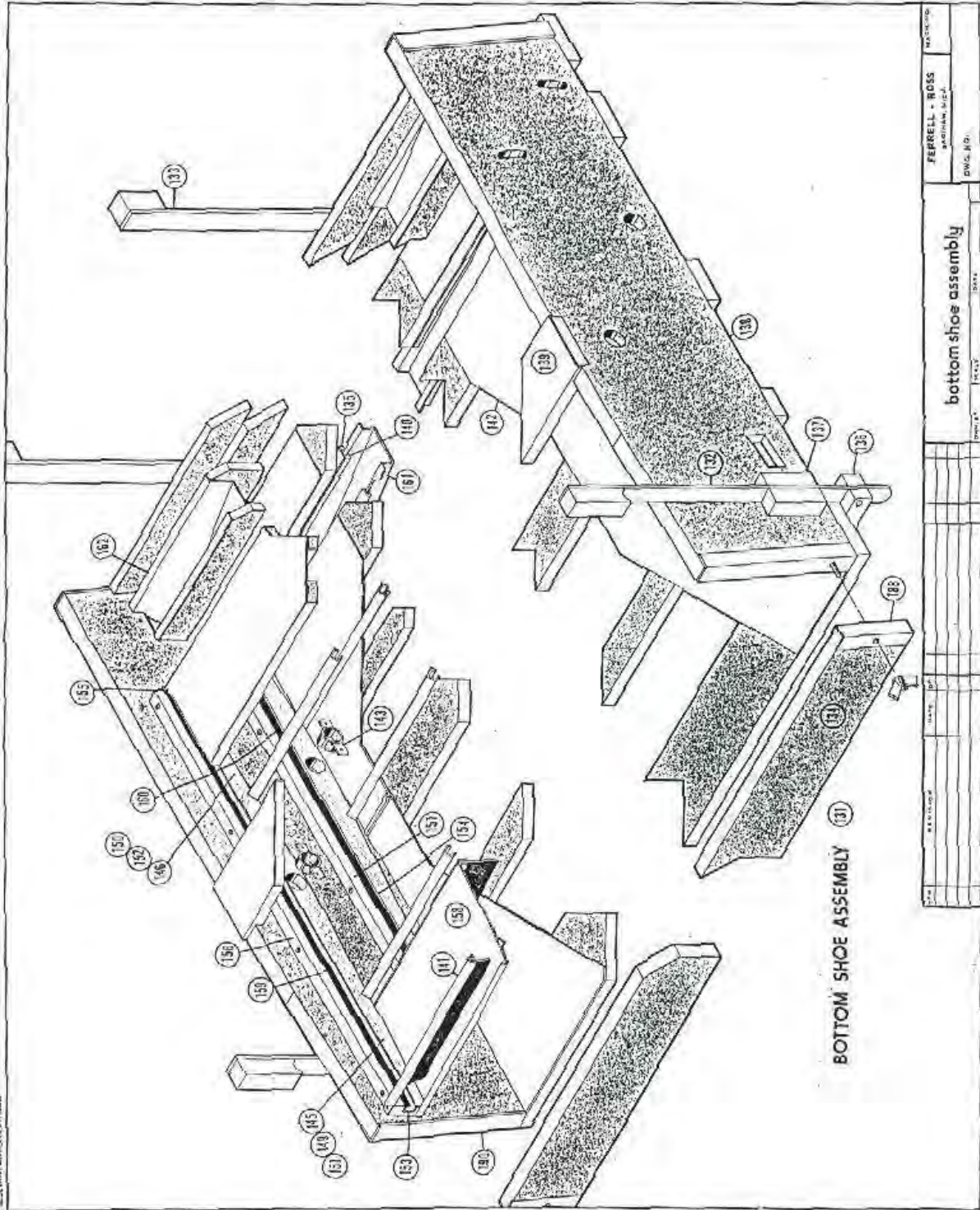


BLUE PRINT NUMBER FOR THIS DRAWING

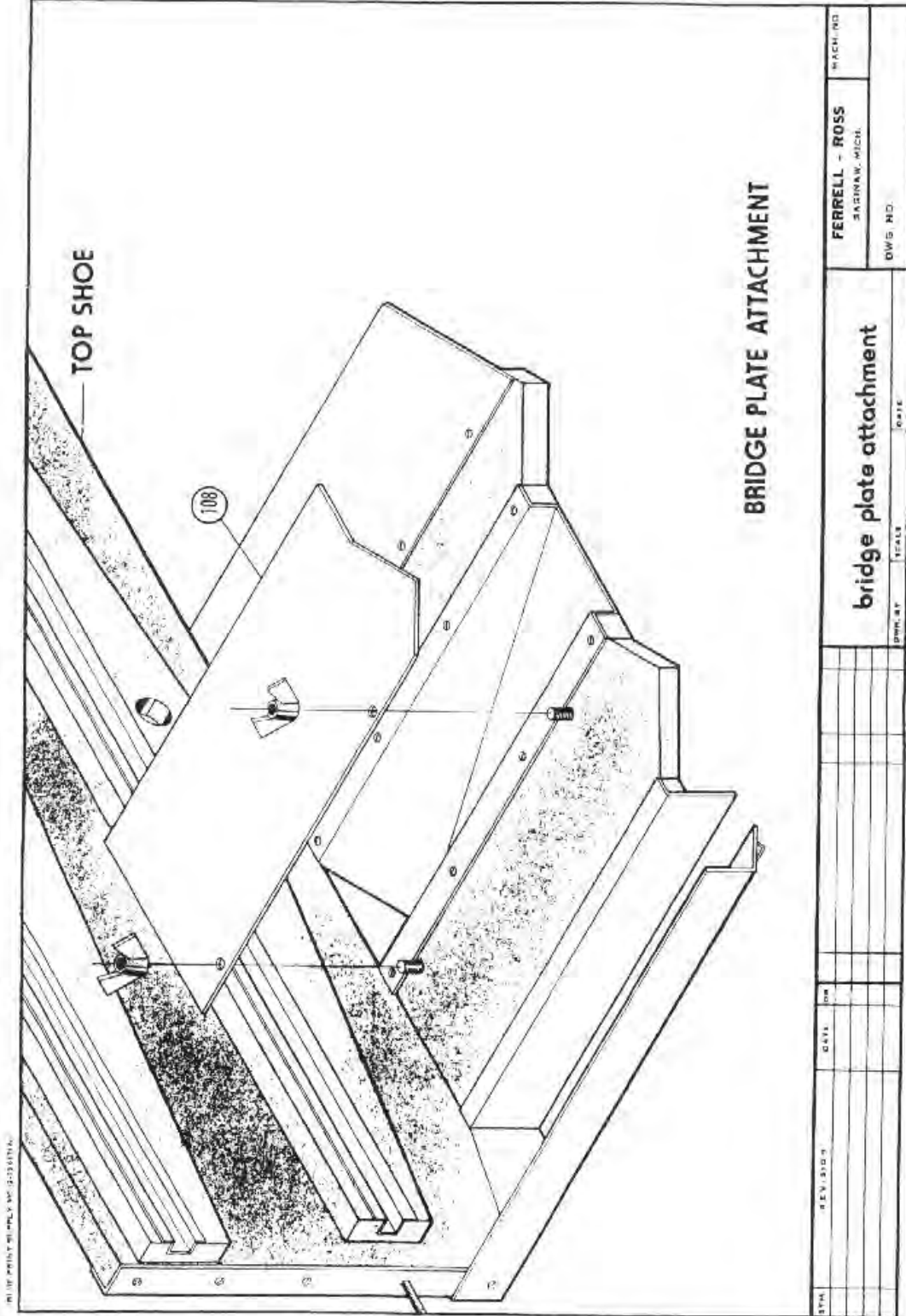


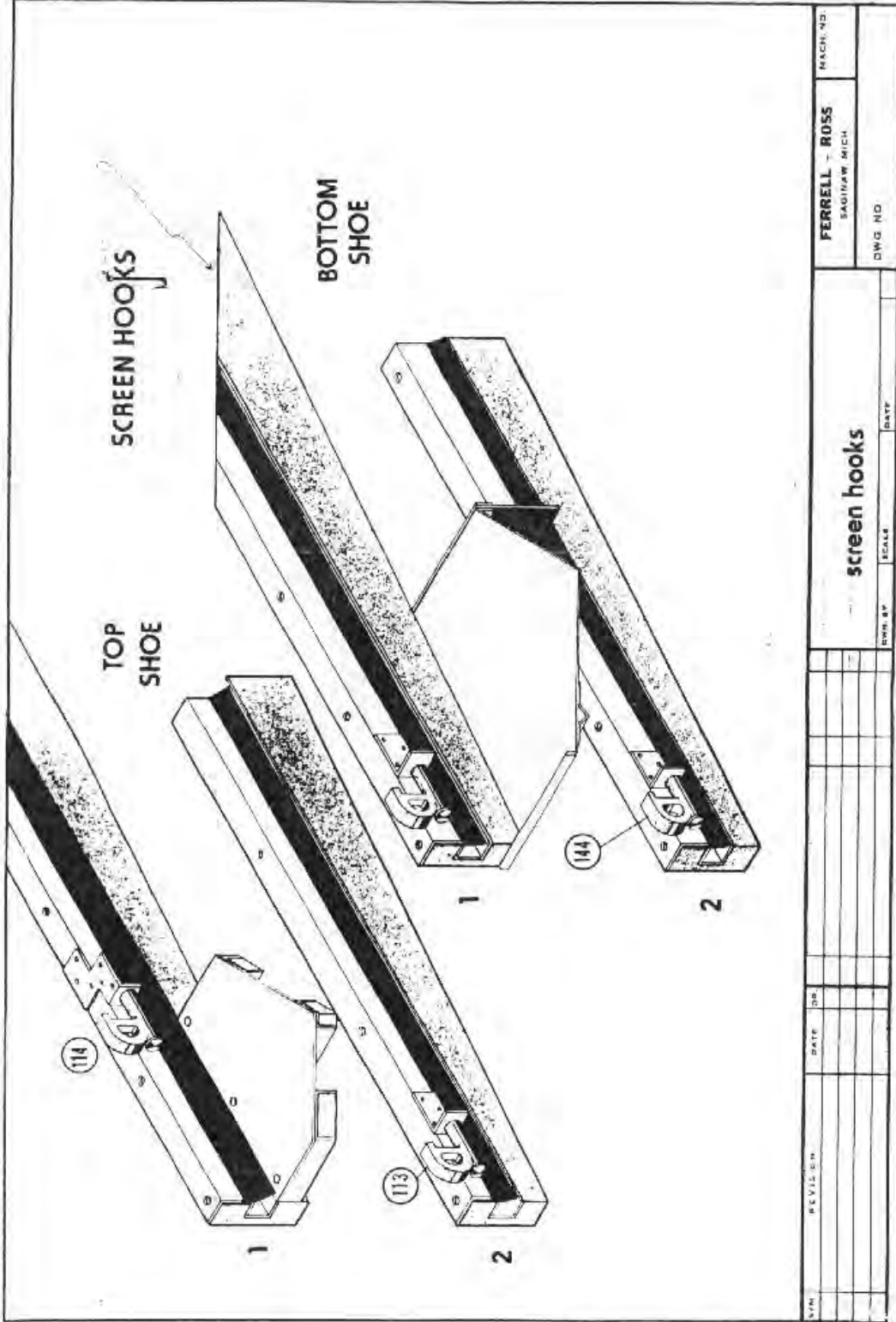
PITMAN ASSEMBLY ✓

DATE	SCALE	DATE	SCALE	DATE	SCALE	DATE	SCALE	DATE	SCALE
<p>FERRELL - ROSS SAGINAW, MICH</p>					<p>DWG. NO.</p>				
<p>pitman assembly</p>					<p>MACH. NO.</p>				



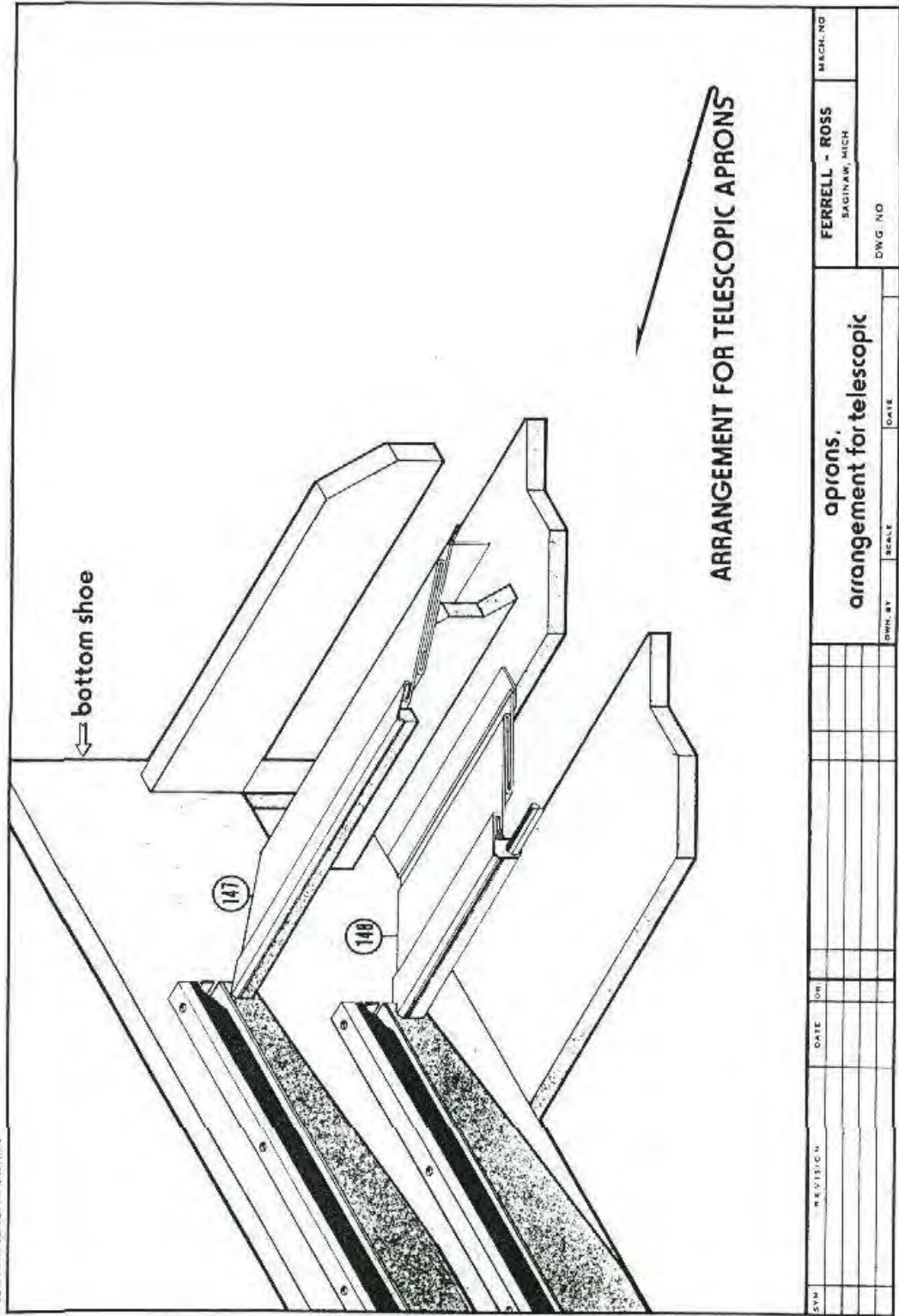
FERRELL - BOSS	
bottom shoe assembly	
DWG. NO.	
DATE	
REV.	
BY	
CHK	
APP	
MATERIAL	
QUANTITY	
REMARKS	





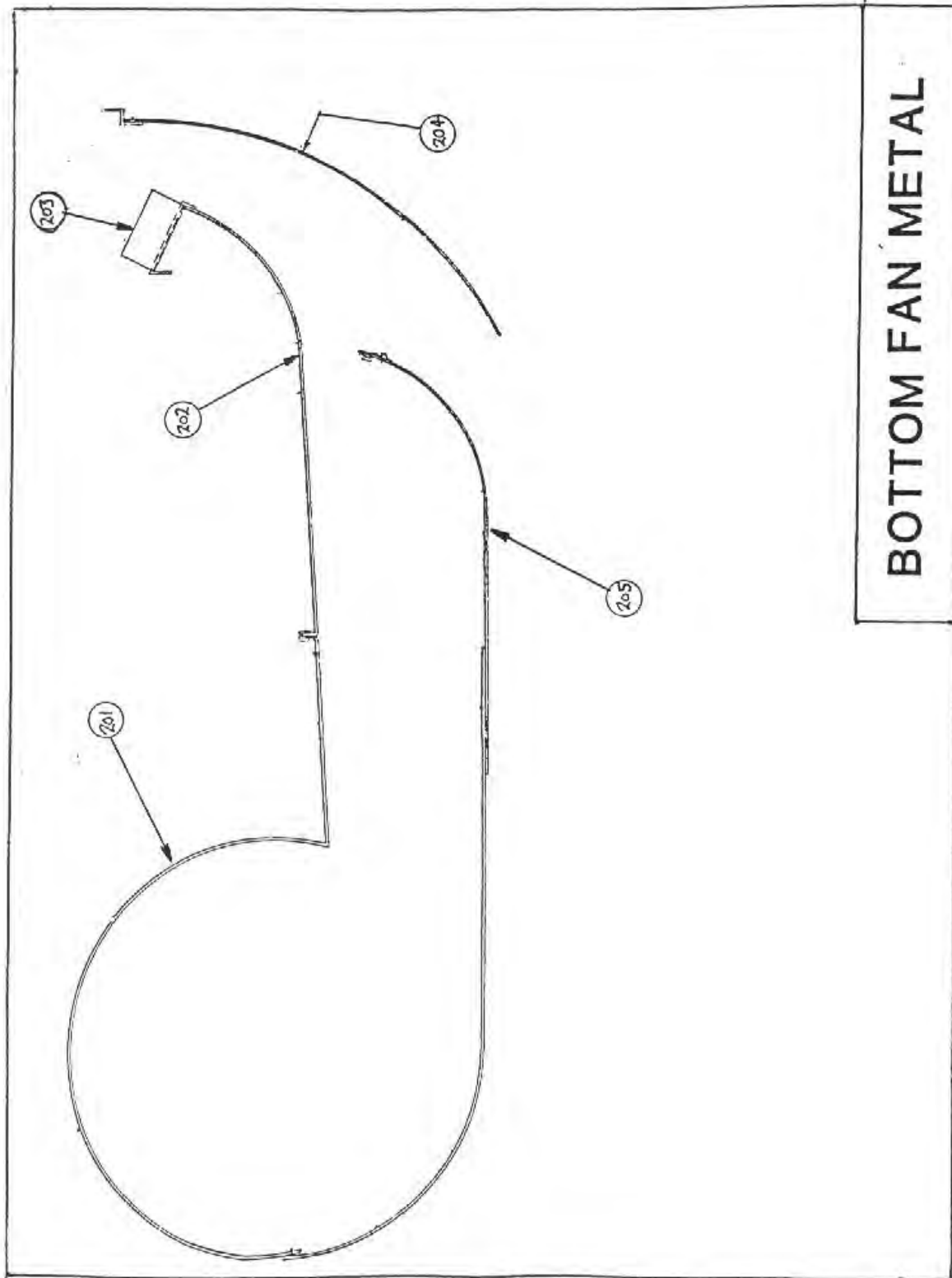
REV. NO.		DATE		REV. NO.		DATE		DRAWN BY		SCALE		DATE	
screen hooks												FERRELL - ROSS	MACH. NO.
												SAGINAW, MICH.	
												DWG. NO.	

BLUE PRINT SUPPLY CO. 1211 1/2 N. 7TH ST. ST. LOUIS, MO.



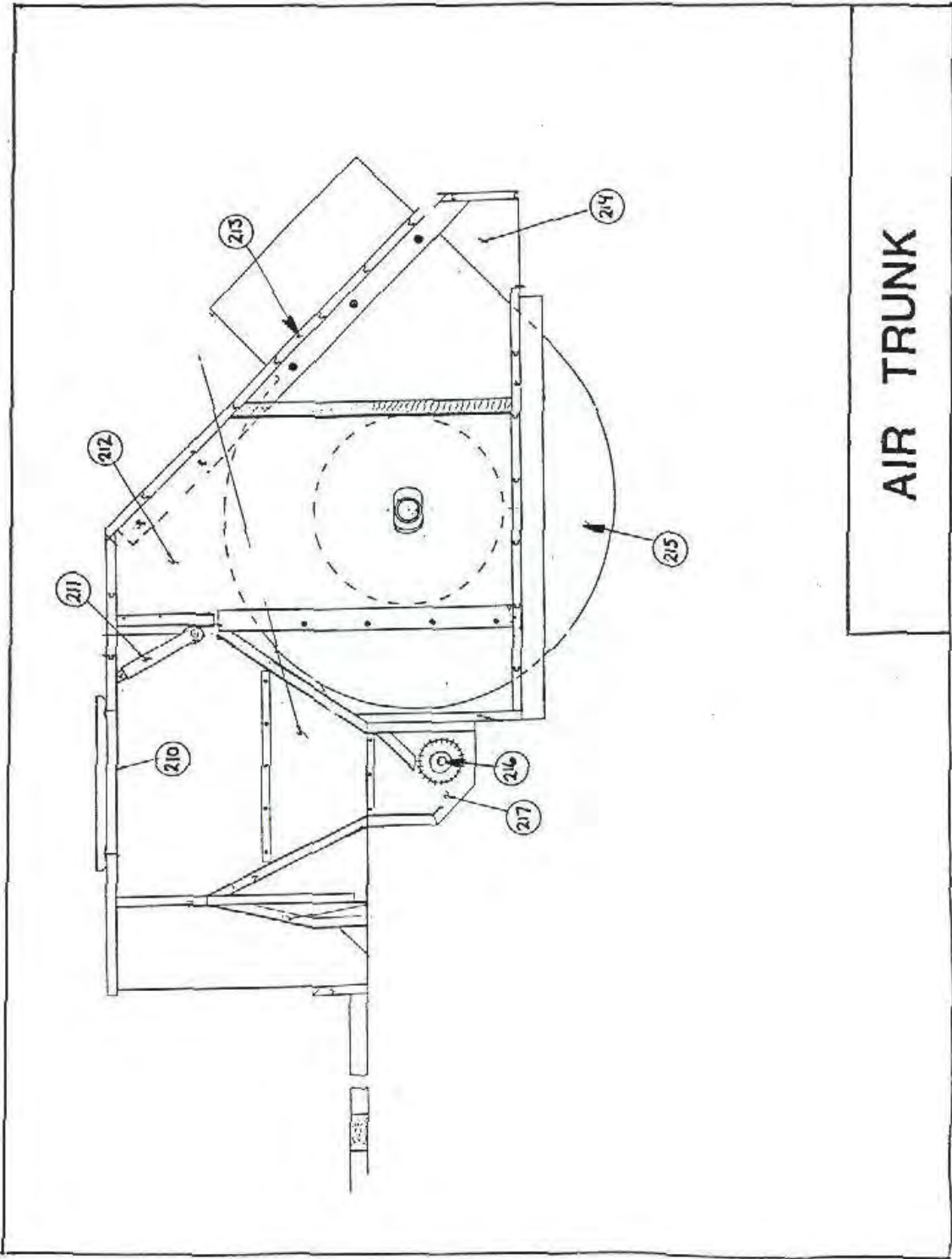
ARRANGEMENT FOR TELESCOPIC APRONS

SYN	REVISION	DATE	BY	SCALE	DATE	FERRELL - ROSS		MECH. NO.
						SAGINAW, MICH		DWG. NO.
arrangement for telescopic						aprons,		
DRAWN BY						SCALE	DATE	



BOTTOM FAN METAL

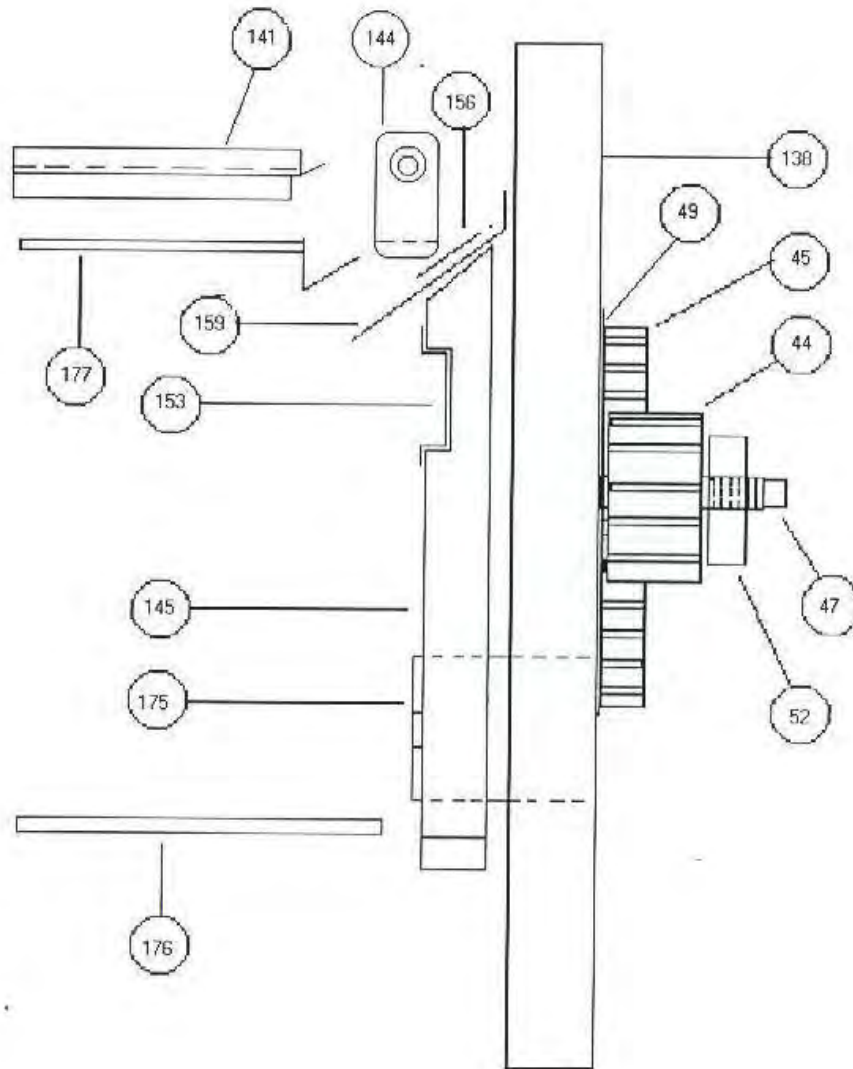
25

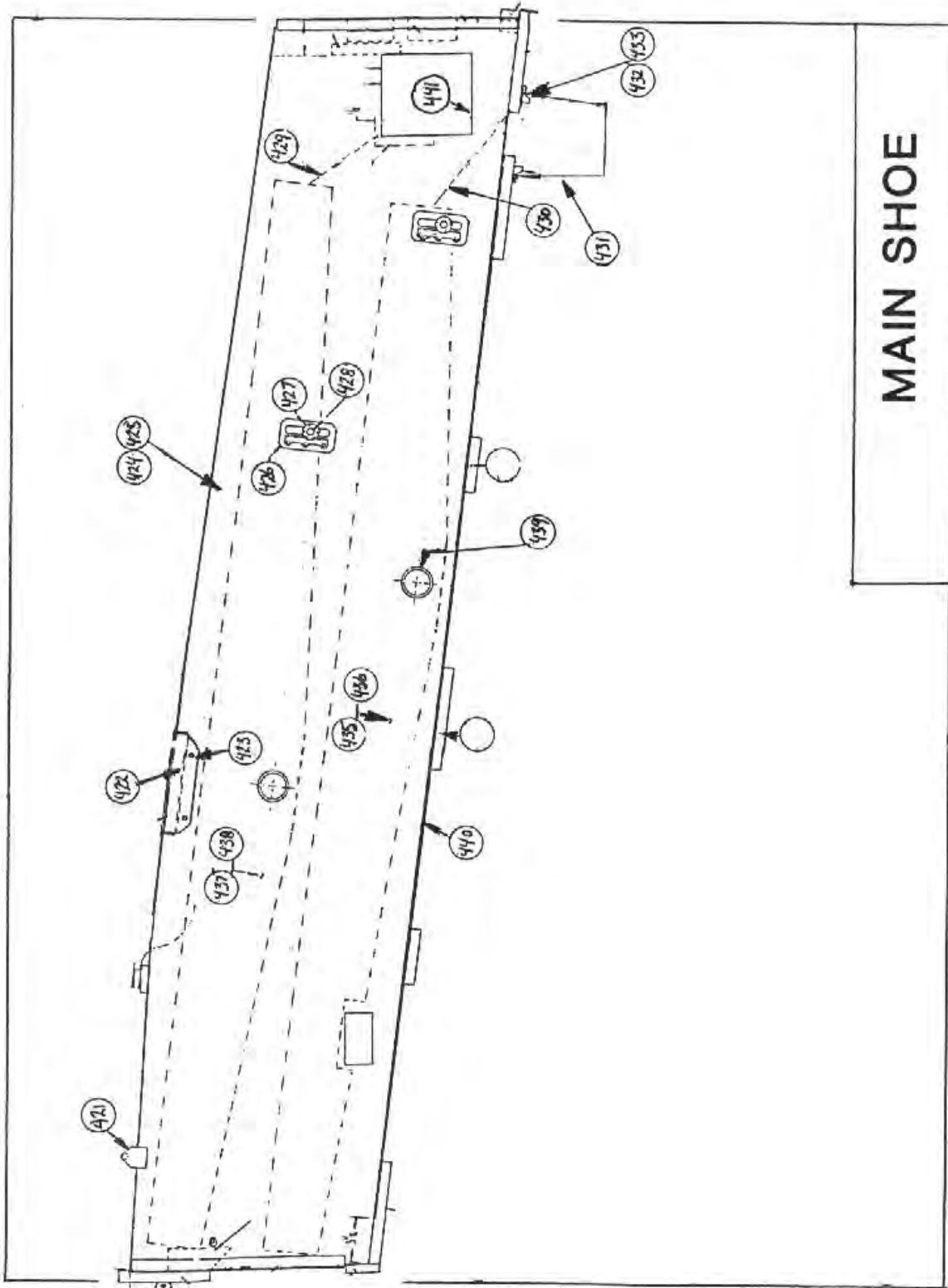


AIR TRUNK

Rocker Assembly View

Brush Style





MAIN SHOE