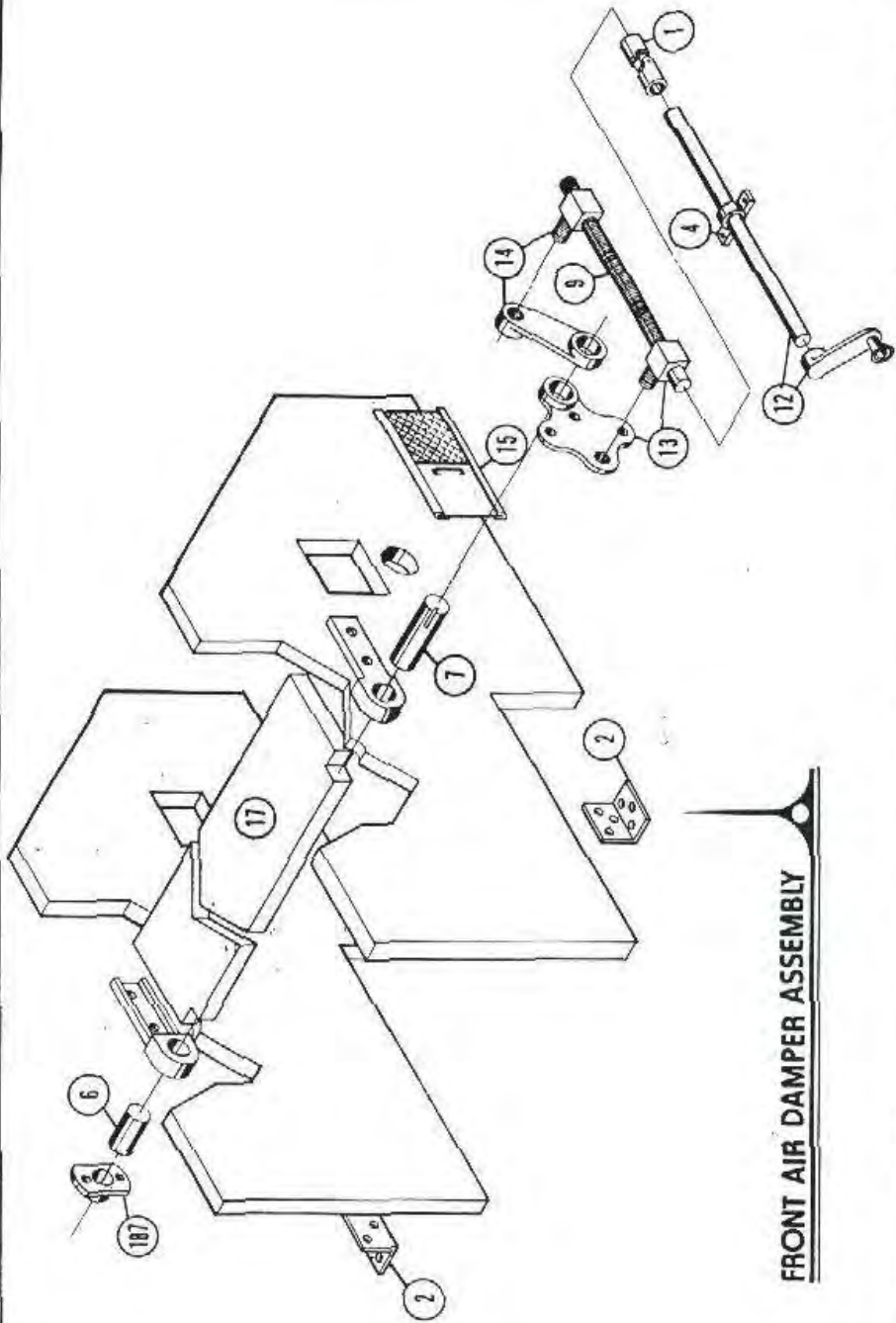


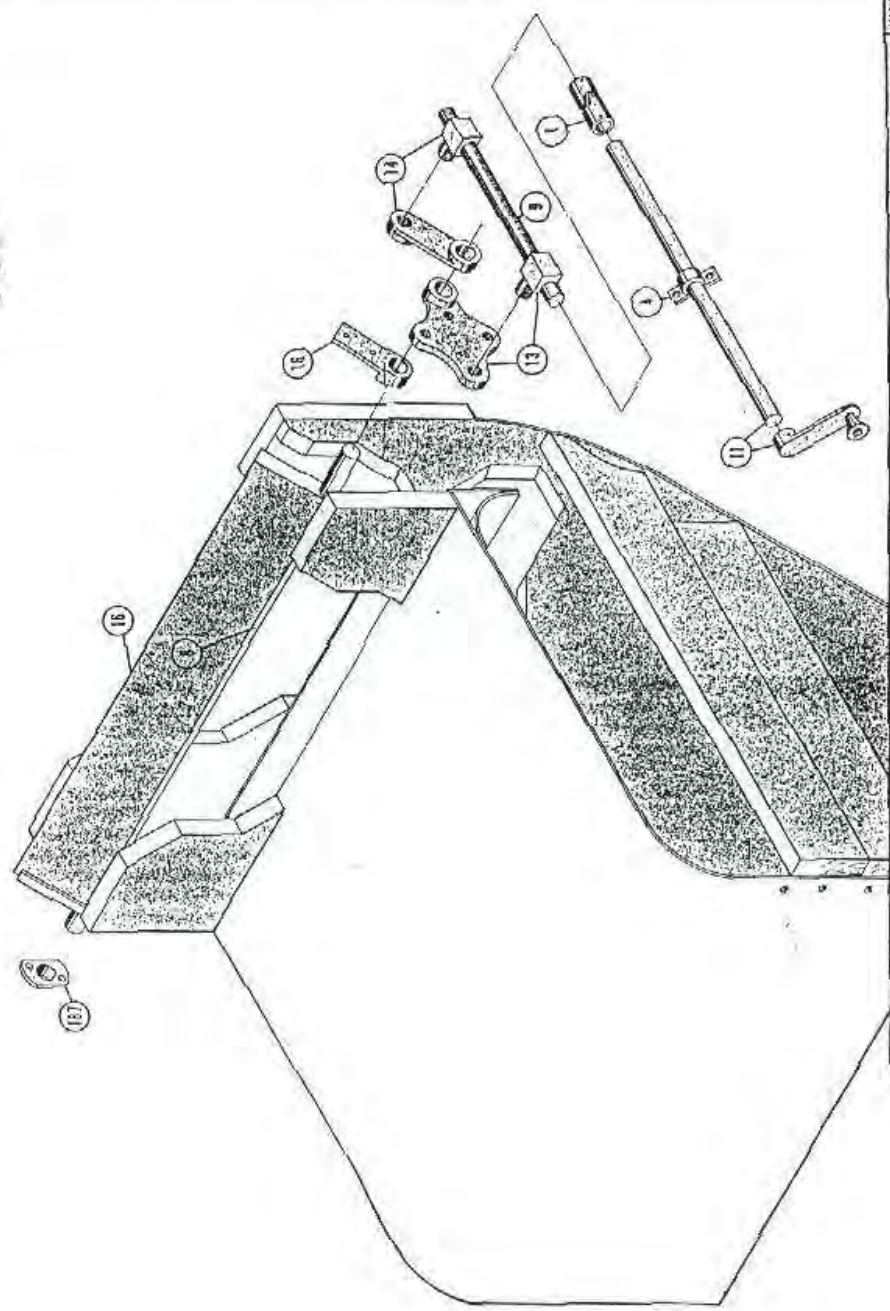
BLUE PRINT SUPPLY & JOB CO. INC.



FRONT AIR DAMPER ASSEMBLY

SYM		REVISION	DATE	ON	DATE	SCALE	DATE	
front air damper assembly								
FERRELL - ROSS				MICH. NO.				
SAGINAW MICH.				DWG. NO.				

BACK AIR DAMPER : TOP FAN SECTION



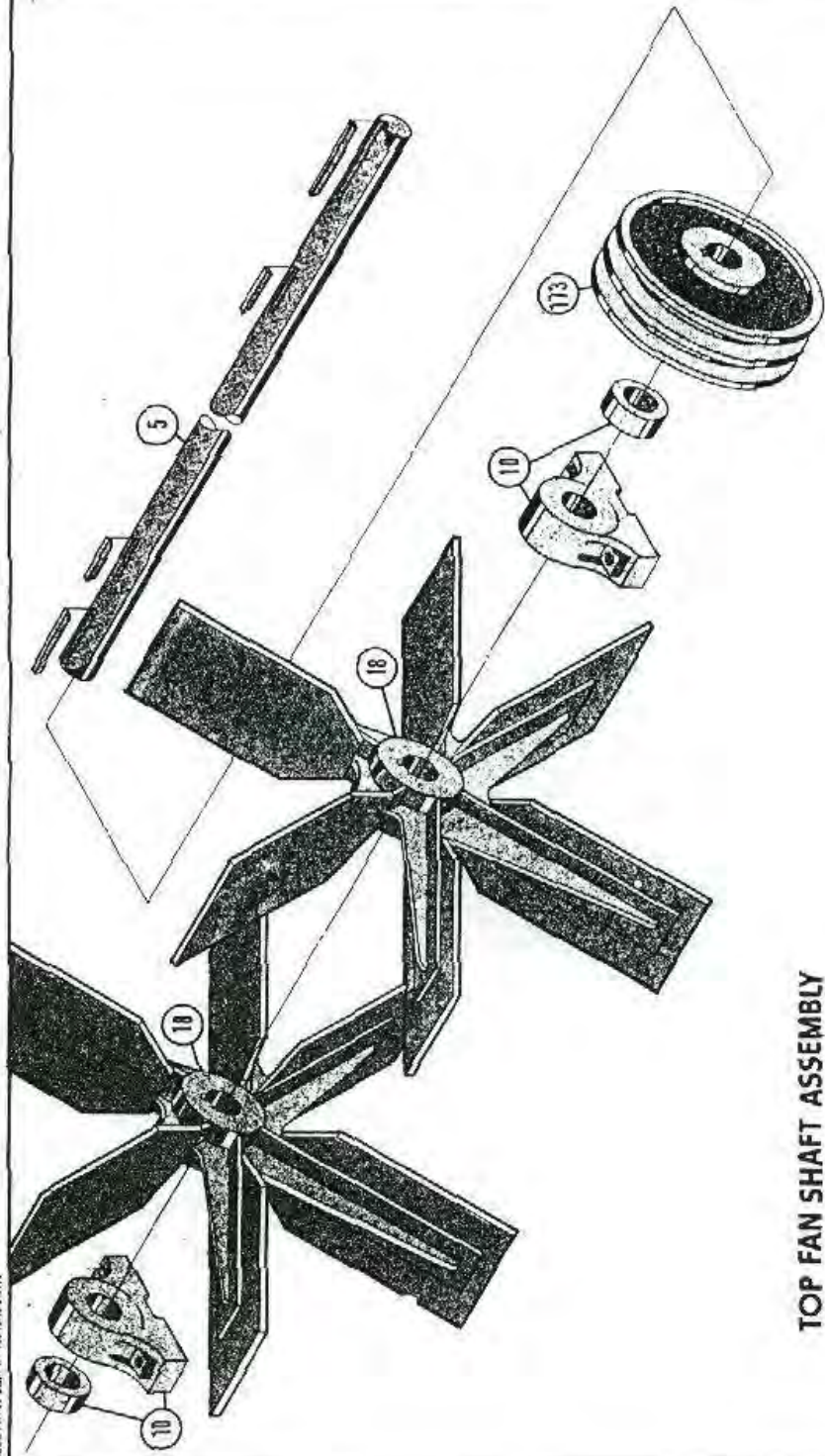
DATE	BY	CHKD BY	APP'D BY

back air damper

FENNELL - ROSS
ENGINEERS & ARCHITECTS
BUREAU NO. 100-1117

MADE IN U.S.A.

SCALE PER NET SUPPLY © 1991 FERRELL-ROSS

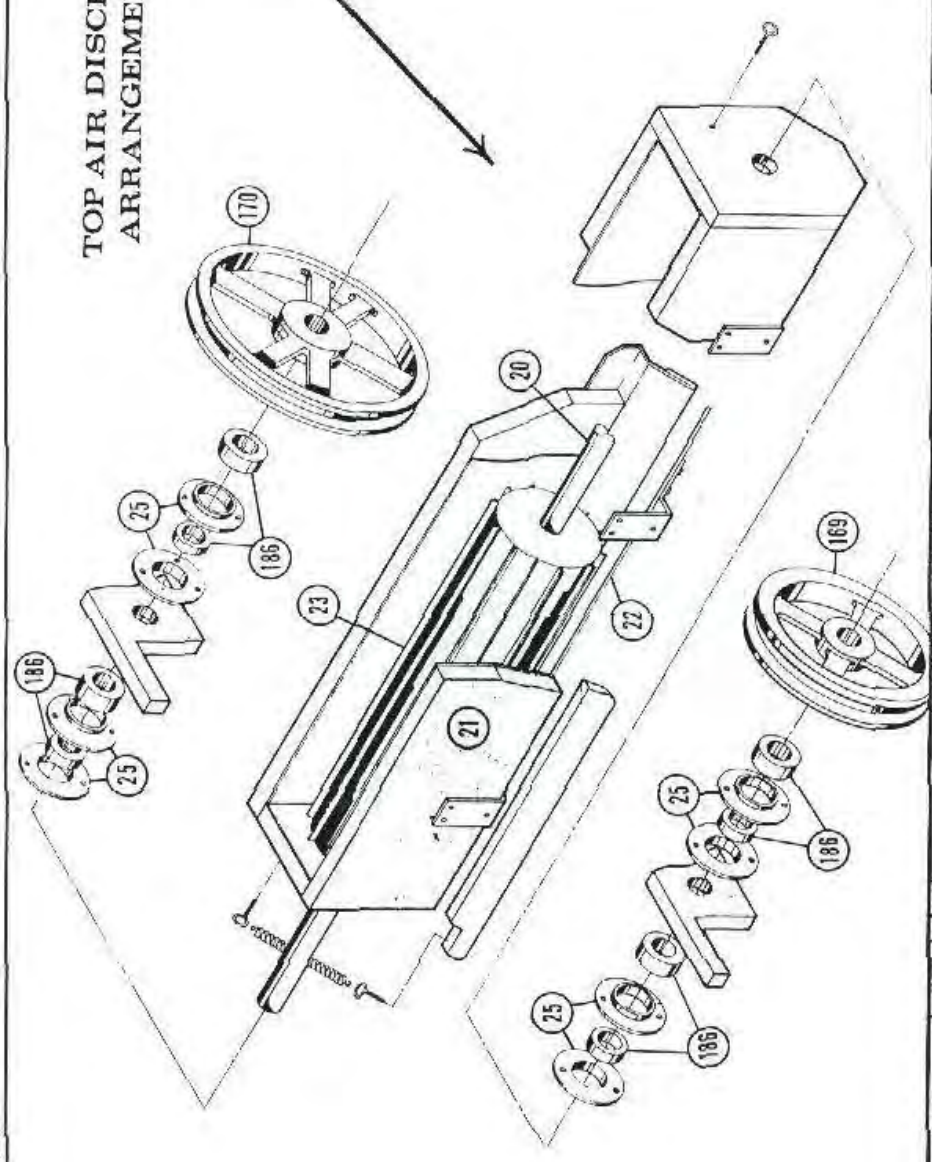


TOP FAN SHAFT ASSEMBLY

REV.	REVISION	DATE	BY	DATE	SCALE	DATE	DWG. NO.	DRAWN BY	MACH. NO.
top fan shaft assembly									
					0-28-77				

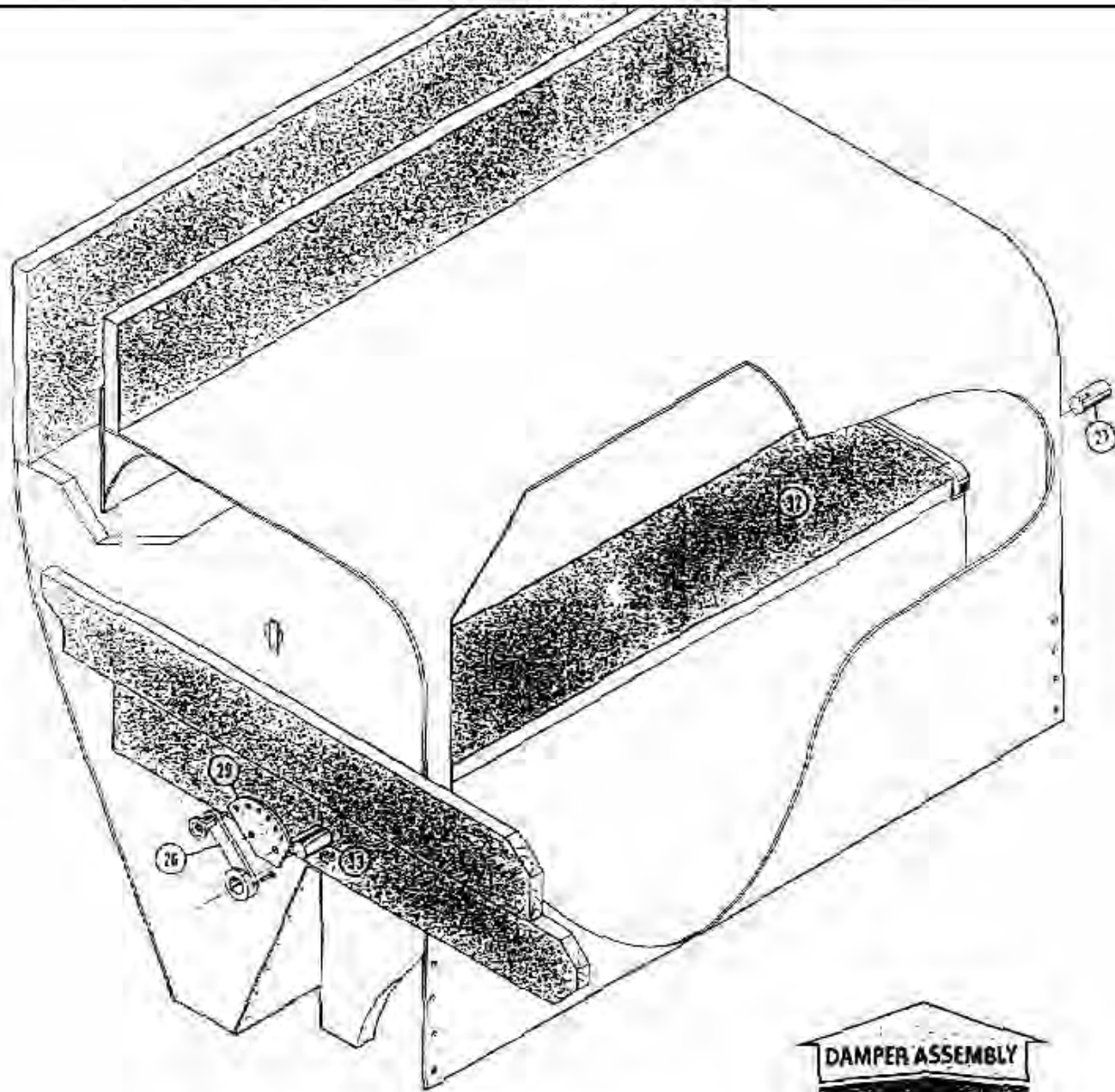
MULTI-PHASE SUPPLY - 2500 1/2" x 11 1/2"

TOP AIR DISCHARGE ARRANGEMENT



SYN.	REV.	DATE	BY	DATE	SCALE	DRAWN BY	J. B.	DATE	2-10-17	DWG. NO.		MACH. NO.	
						- top air discharge arrangement							
						FERRELL - ROSS							
						SAGINAW, MICH.							

5



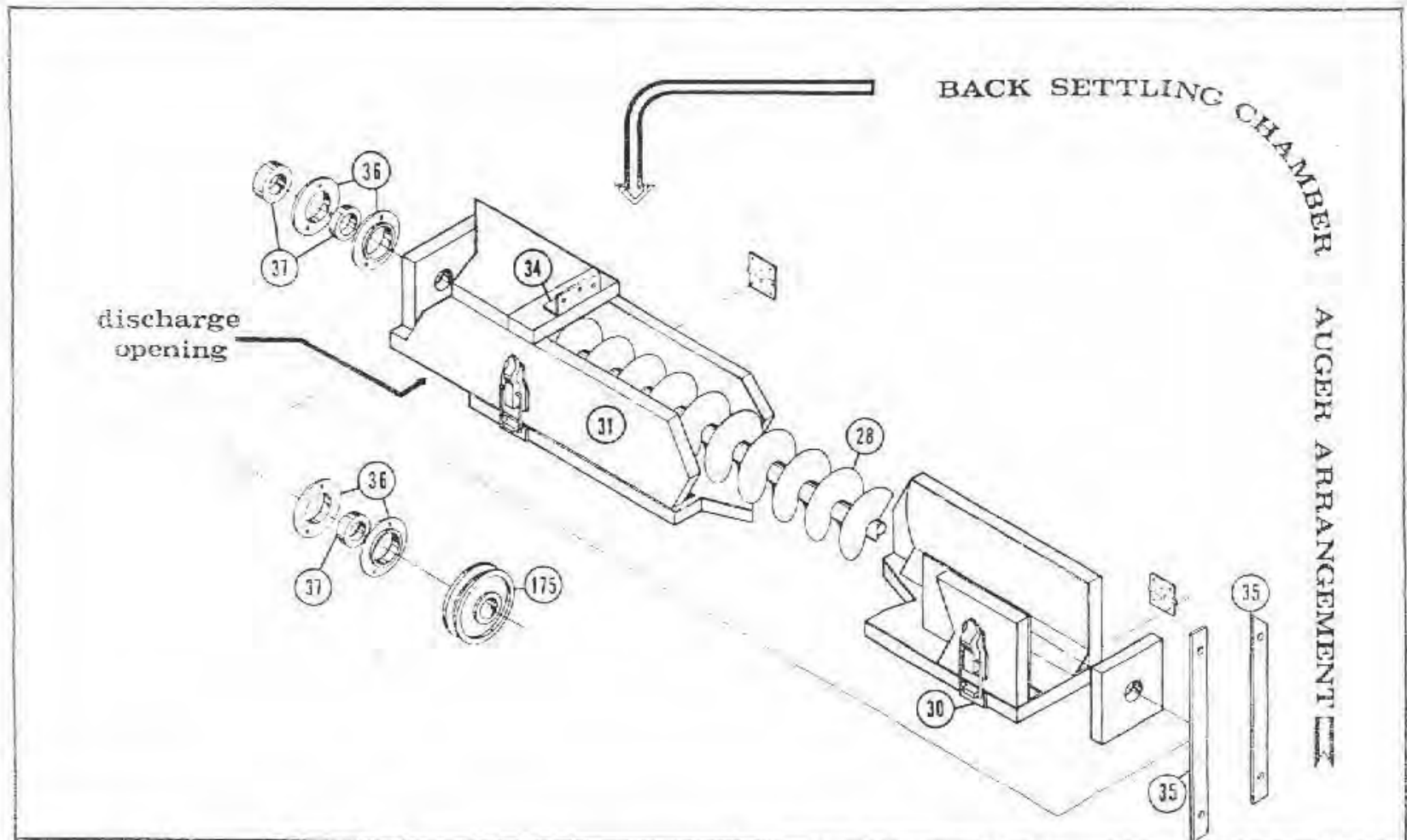
DAMPER ASSEMBLY

REV	DESCRIPTION	DATE	BY	CHKD

damper assembly

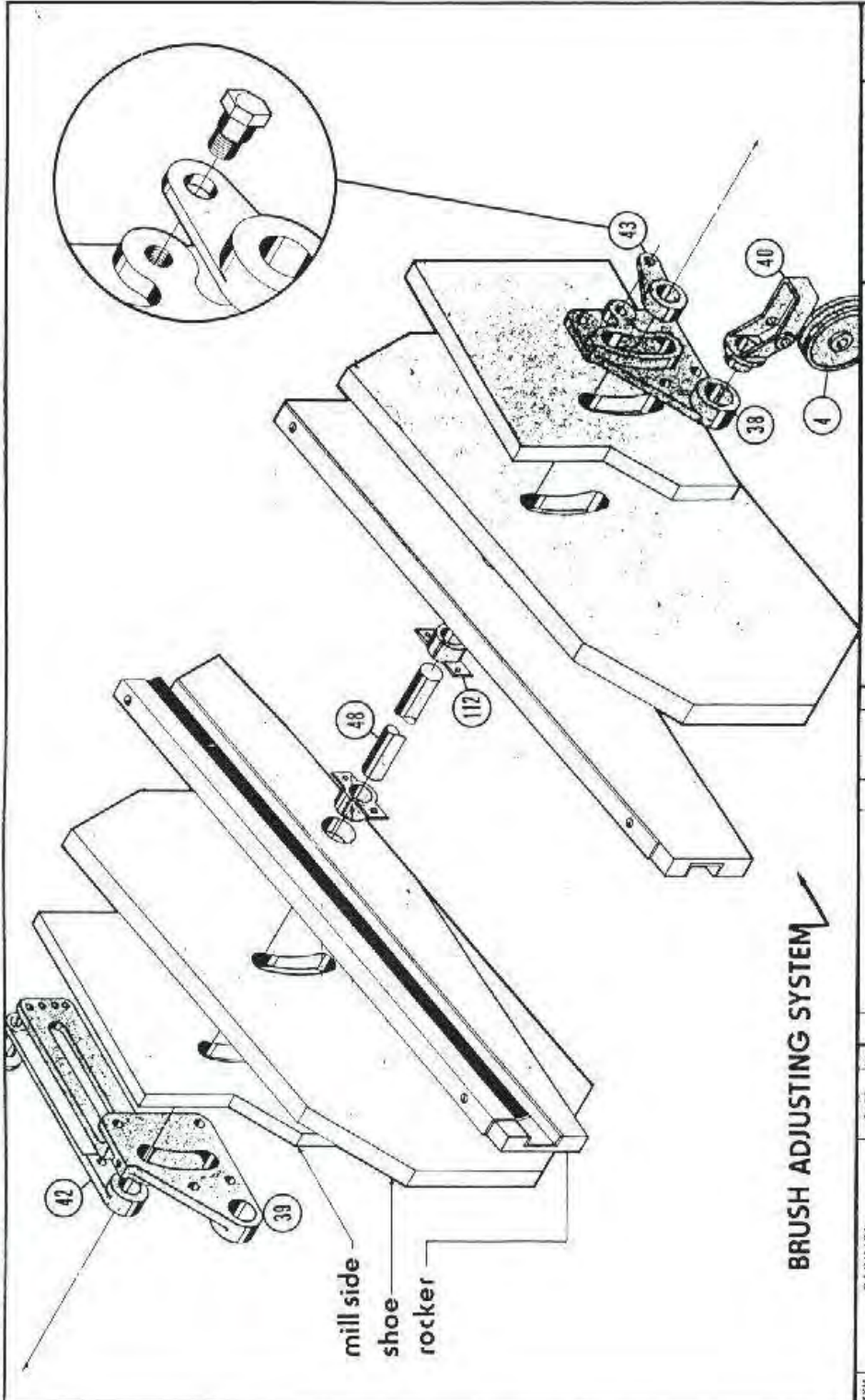
FERRELL - ROSS
 WORKS NUMBER
 DWR NO.

6



REV	REVISION	DATE	BY	APP	back settling chamber auger arrangement	FERRELL - ROSS SAGINAW MICH.	DWG NO
					OWN BY JDS	SCALE	DATE 12-28-72

WEST-PRINT SUPPLY CO. U.S.A.

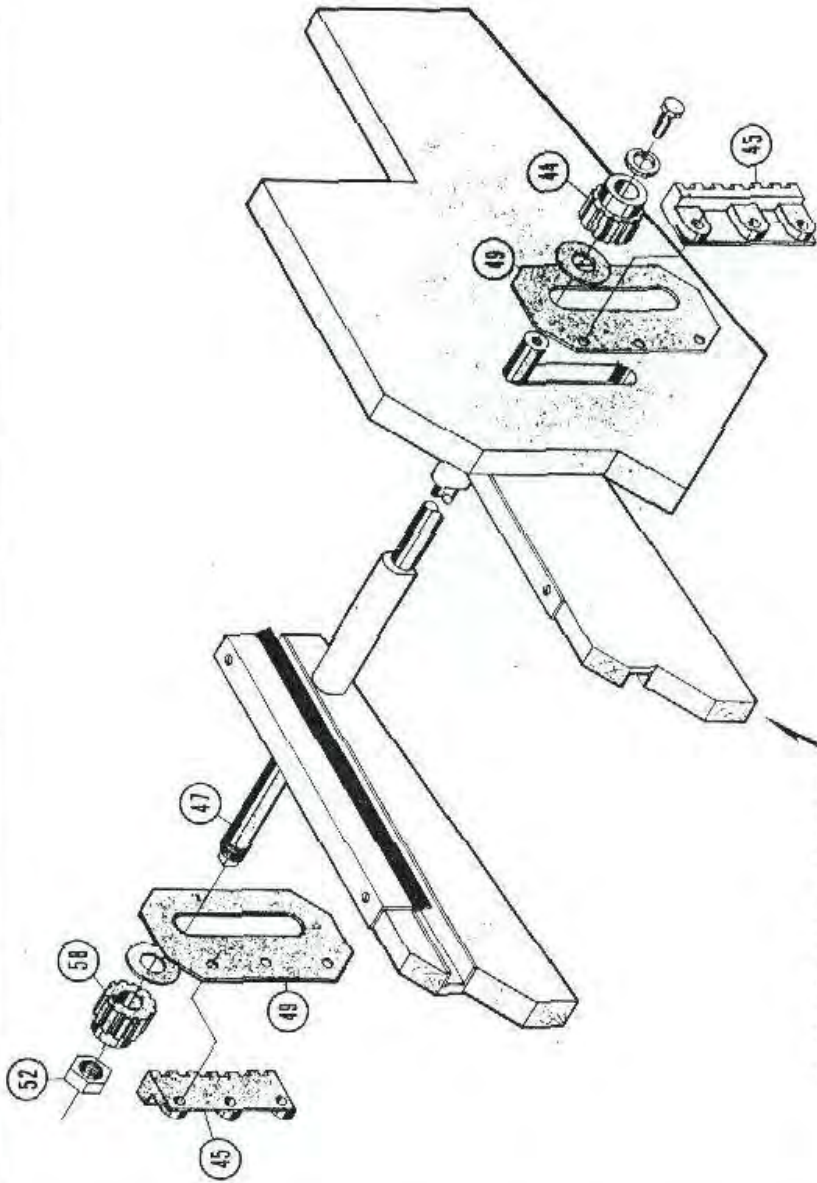


mill side
shoe
rocker

BRUSH ADJUSTING SYSTEM

SYM.	REV.	DATE	BY	DATE	SCALE	DATE
brush adjusting system				DATE	SCALE	DATE
FERRELL - ROSS				DWG. NO.		
SAGINAW MICH.				MACH. NO.		

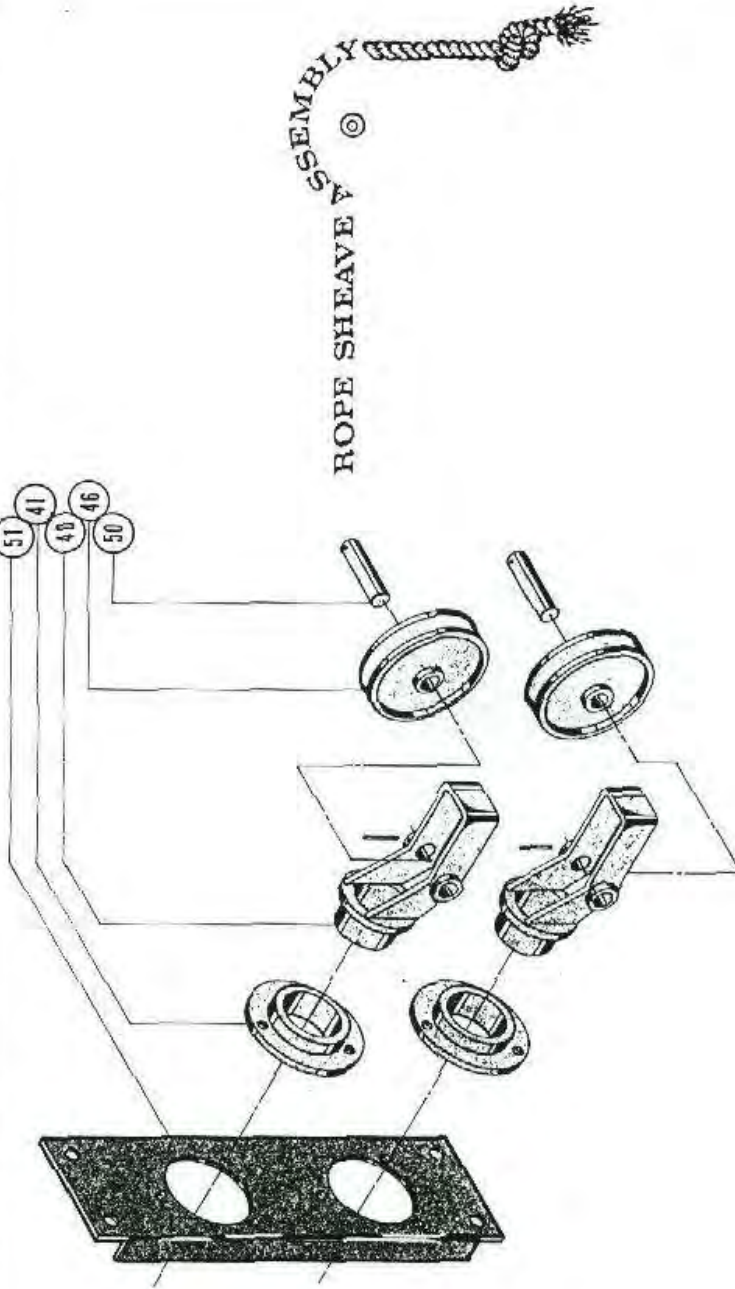
WALSH PRINT SUPPLY CO. IS-R-8-3124



TILTING ROD ASSEMBLY

DATE	REV.	DATE	REV.	DATE	REV.	DATE	REV.	DATE	REV.	DATE	REV.
<p style="text-align: center;">DWG. NO. tilting rod assembly MACH. NO. FERRELL - ROSS</p> <p style="text-align: center;">SCALE: _____ DATE: _____ SAGINAW, MICH.</p>											

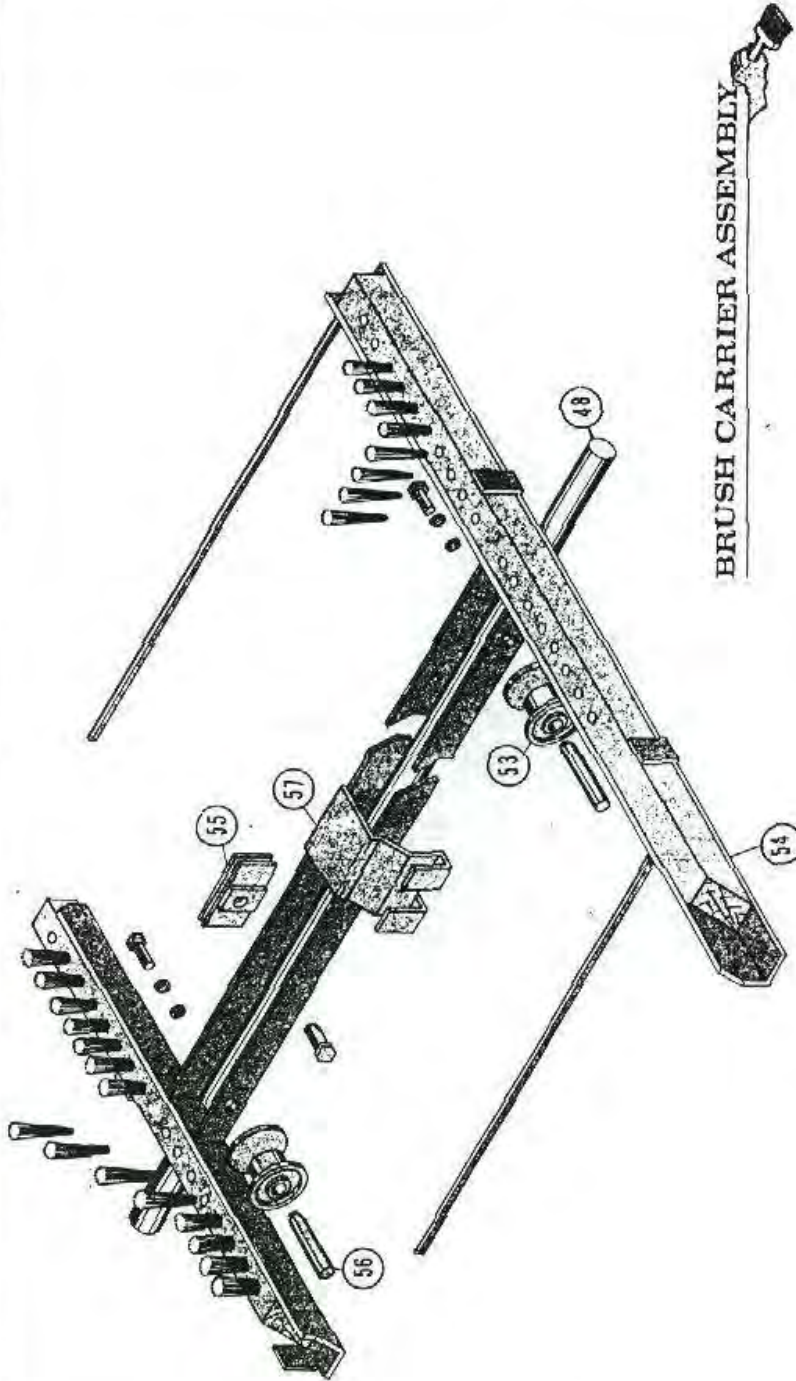
BLUE PRINT & SHIPMENT NO. 1249-21724



ROPE SHEAVE ASSEMBLY
©

TYPE	REV.	DATE	BY	CHK.	MACH. NO.
rope sheave assembly					FERRELL - ROSS
					SAGINAW, MICH.
DATE 12-10-27					DWG. NO.
DOWN BY J. E. S. SCALE					

ALL RIGHTS RESERVED BY THE DESIGNER

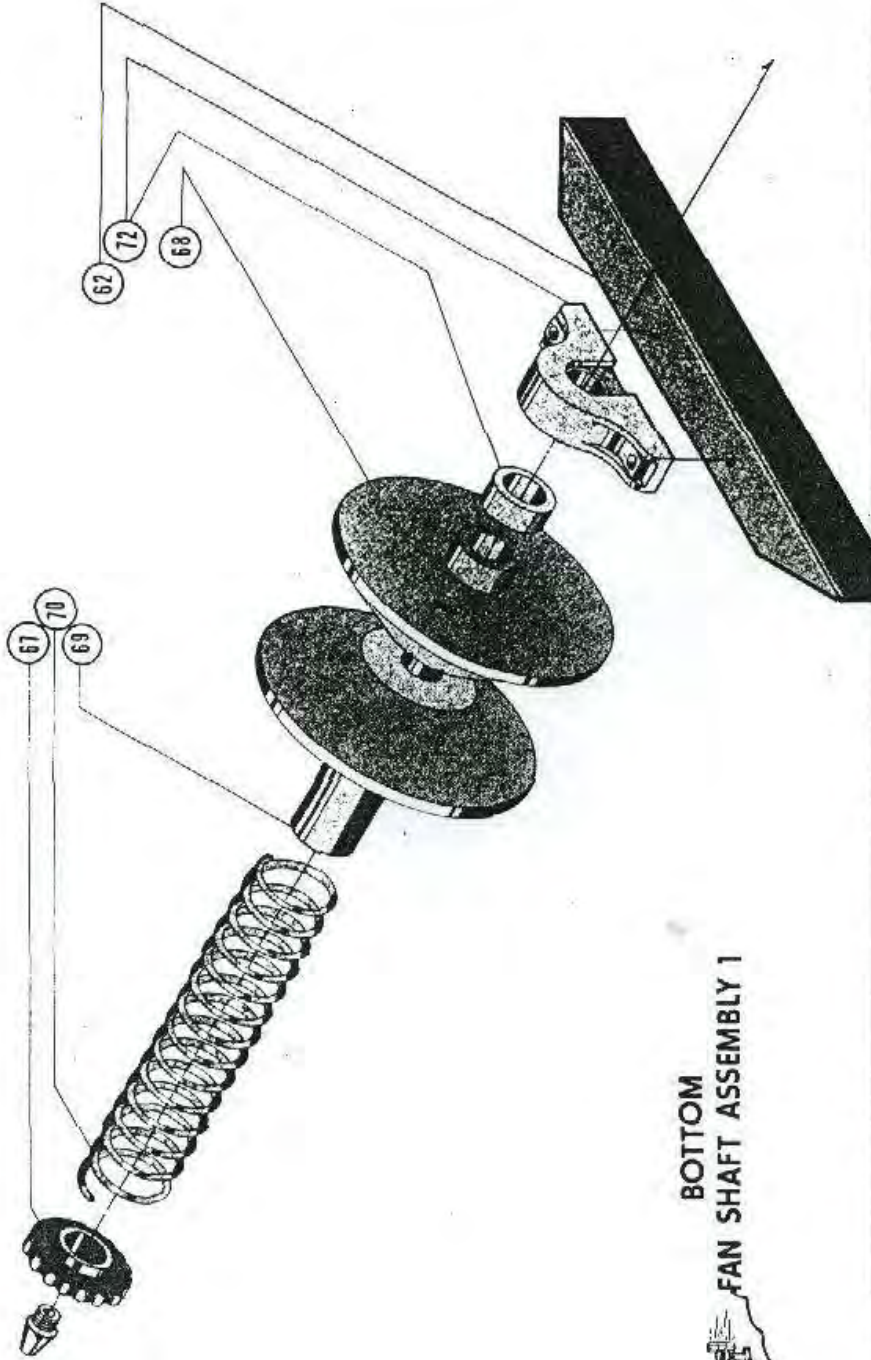


BRUSH CARRIER ASSEMBLY



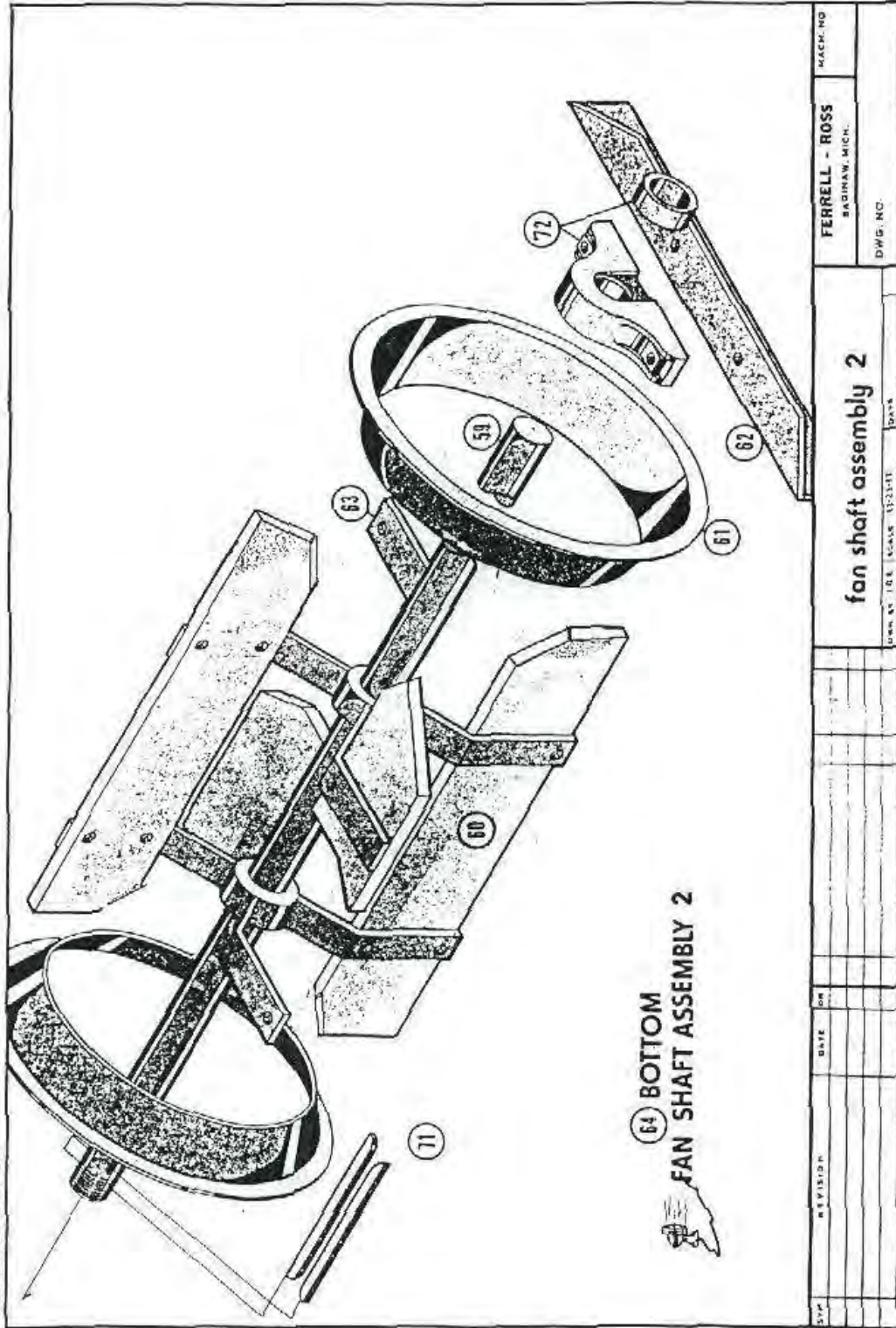
REV.	DESCRIPTION	DATE	BY	DATE	BY	SCALE	DATE	BY	DWG. NO.	MACH. NO.
	brush carrier assembly						12-18-77			

11/20/2014 10:43:47 AM



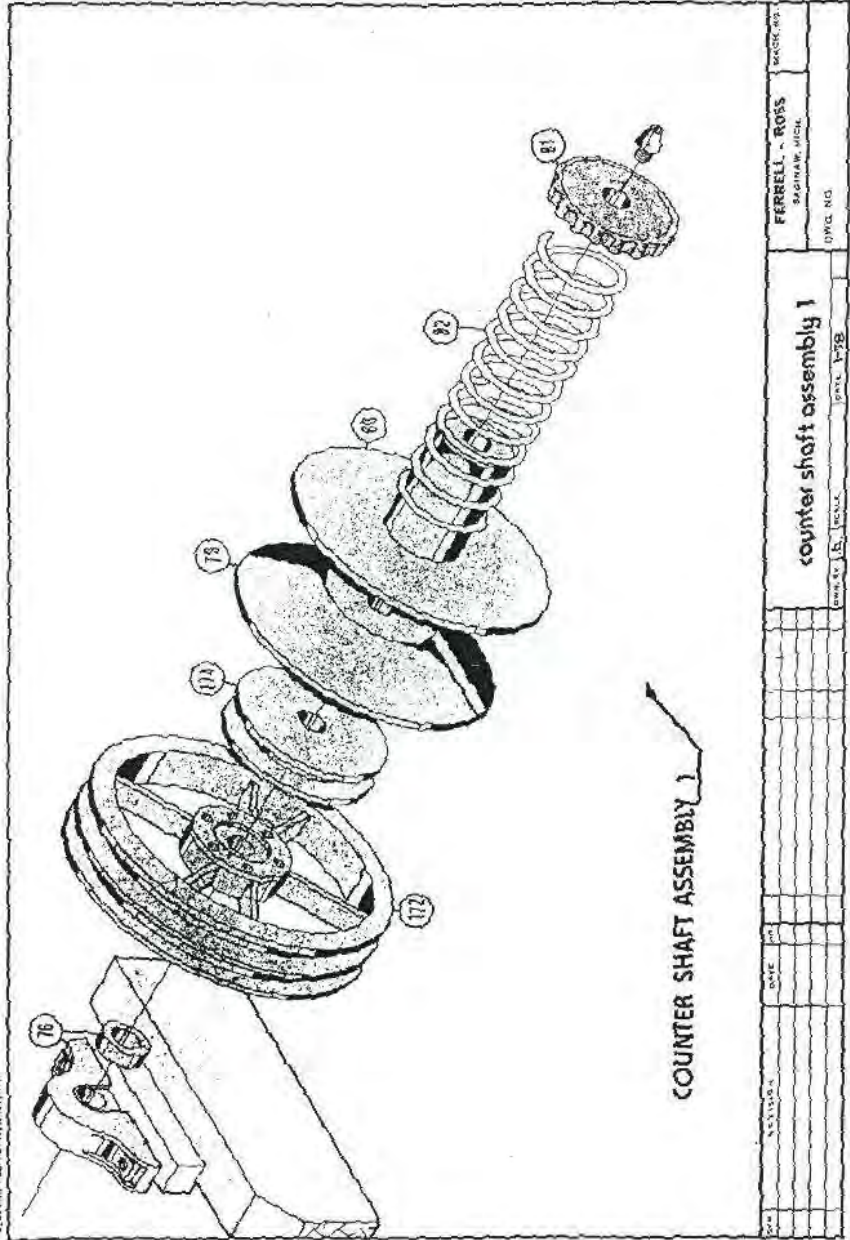
**BOTTOM
FAN SHAFT ASSEMBLY 1**

SYMBOL	DATE	BY	DATE	BY	DATE	SCALE	DWS, NC
fan shaft assembly 1							
FERRELL - ROSS							
SACINAW, MICH							
MACH. NO.							



64 BOTTOM
FAN SHAFT ASSEMBLY 2

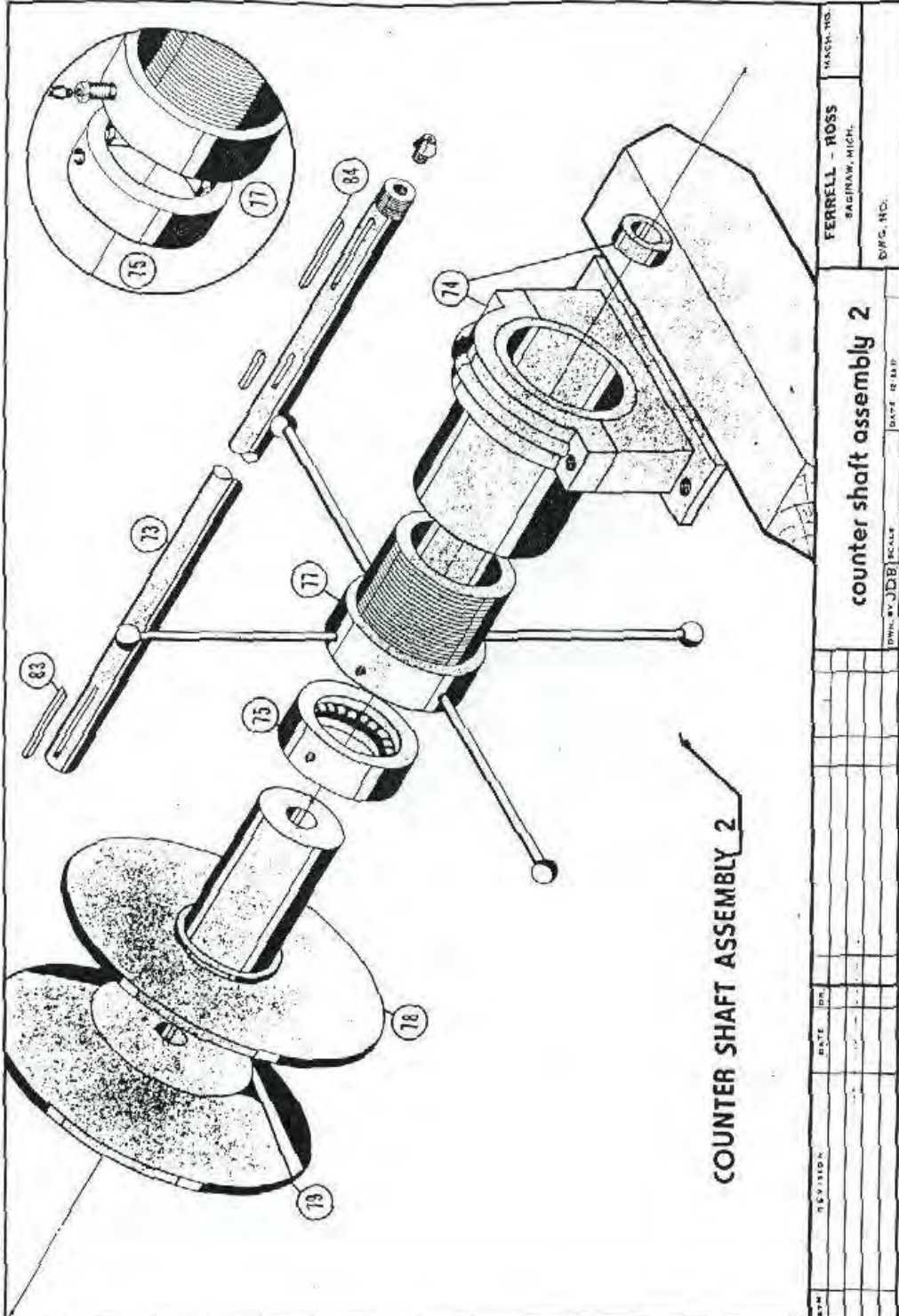
SYN		REVISION	DATE	BY	DWG. NO. 100-1-10000-132311	DATE
		fan shaft assembly 2			DWG. NO.	
		FERRELL - ROSS			MACH. NO.	
		BAGINAW, MICH.			DWB, INC.	



COUNTER SHAFT ASSEMBLY 1

DATE	BY	NO.	REV.	DATE	BY	NO.

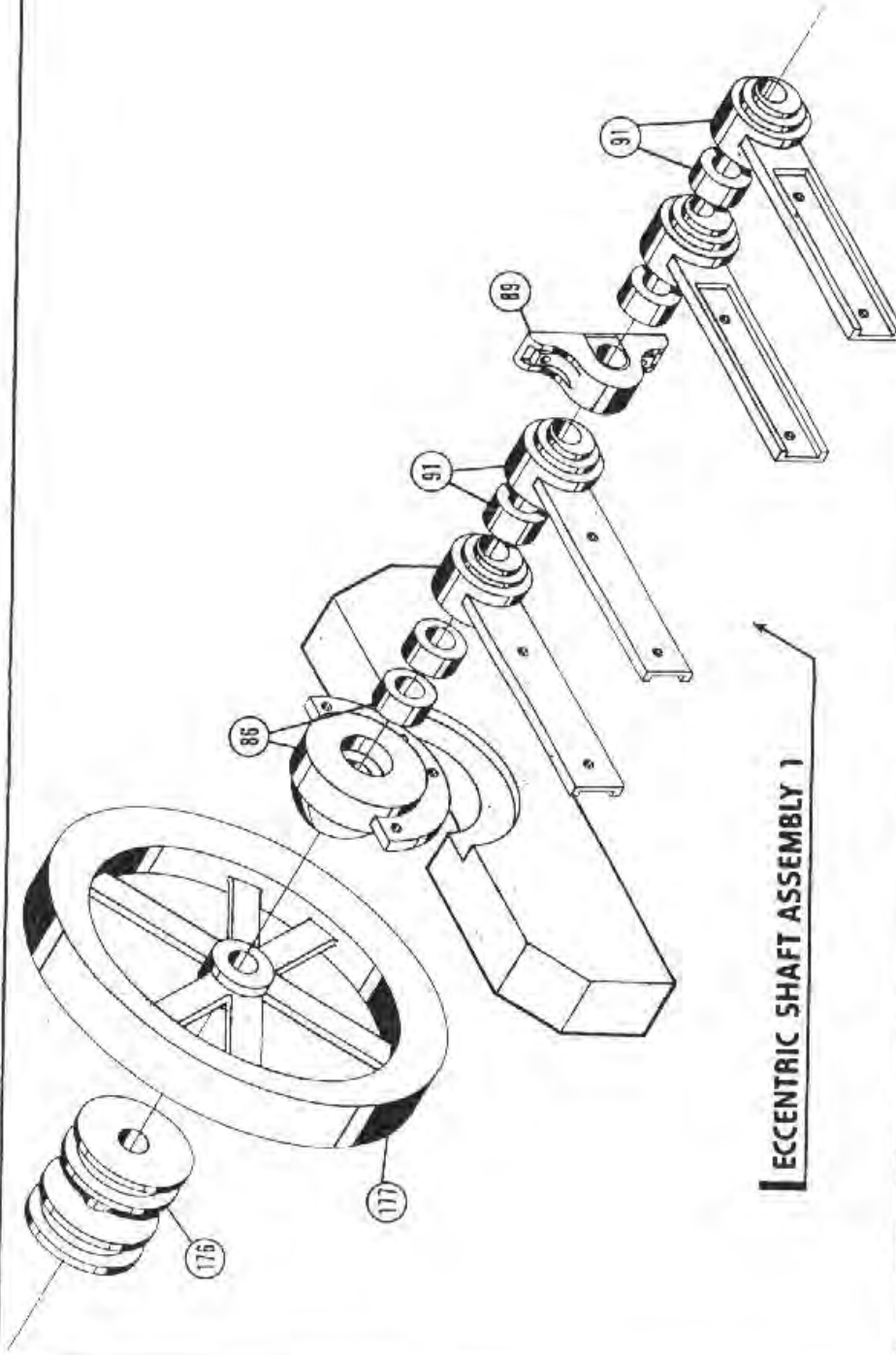
FERRELL - ROSS
 SAGINAW, MICH.
 DWG. NO. DATE: 1-25-58



REV		REVISION	DATE	BY	DRAWN BY: JDB		SCALE	DATE: 12-23-50	FERRELL - ROSS SAGINAW, MICH. D/WG. NO.	
COUNTER SHAFT ASSEMBLY 2										

COUNTER SHAFT ASSEMBLY 2

ALL DIMENSIONS UNLESS OTHERWISE NOTED

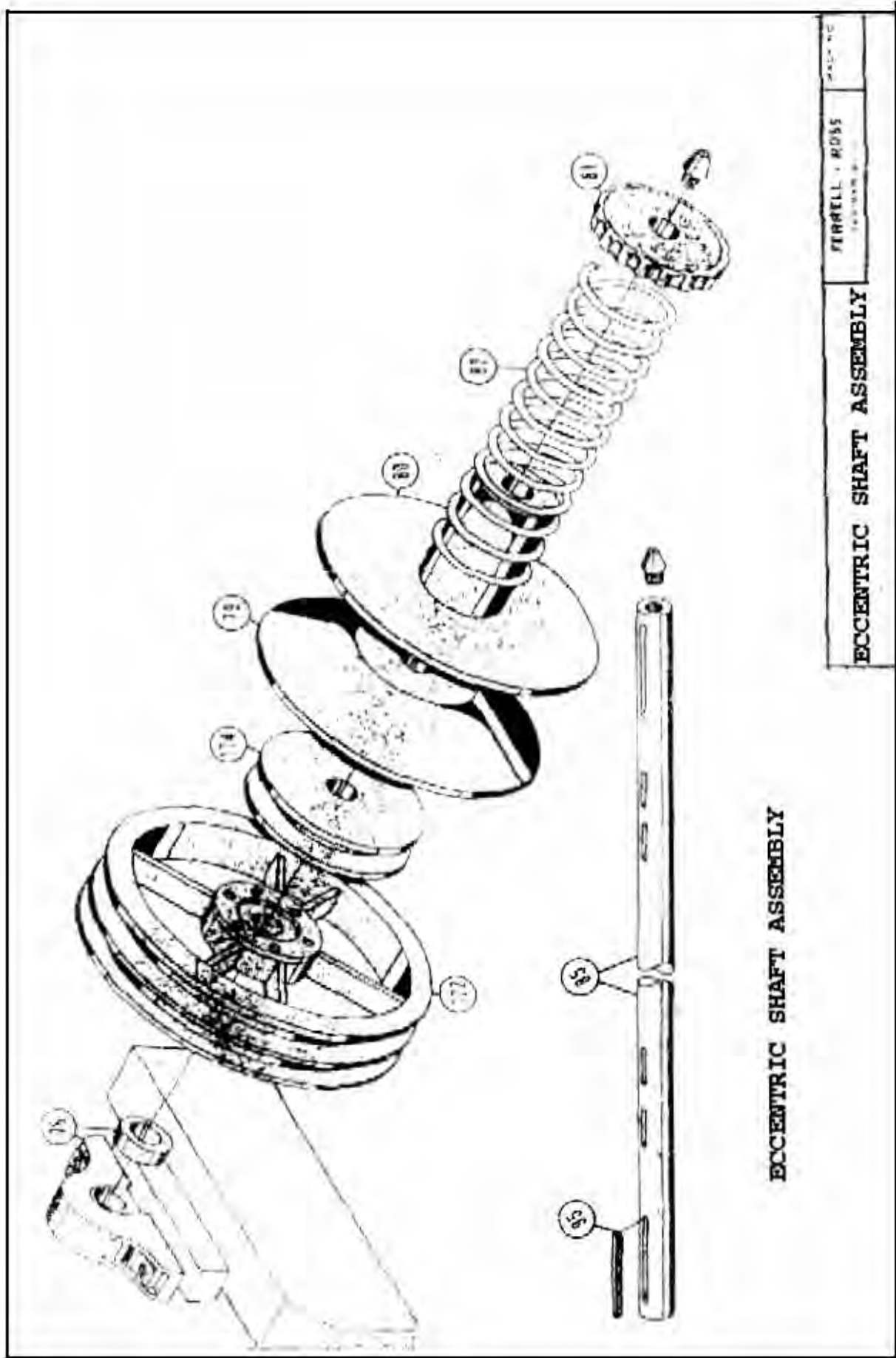


ECCENTRIC SHAFT ASSEMBLY 1

REV	REVISION	DATE	BY	SCALE	DATE	DRN BY	DWG NO.	WACH NO.

FERRELL - ROSS
RAGINAW, MICH.

eccentric shaft assembly 1

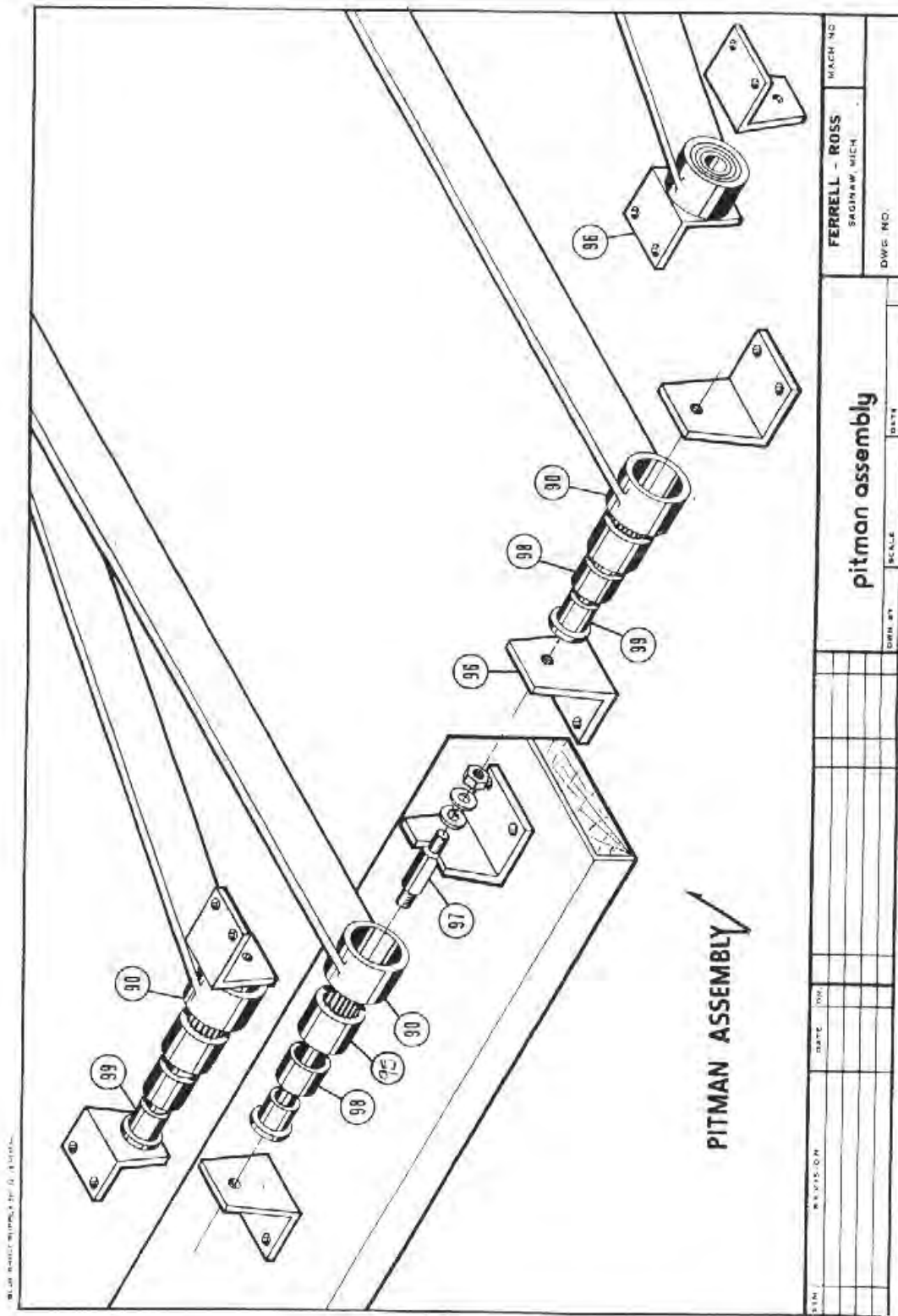


FERRELL - ROSS
INDUSTRIAL

ECENTRIC SHAFT ASSEMBLY

ECENTRIC SHAFT ASSEMBLY

16A



PITMAN ASSEMBLY

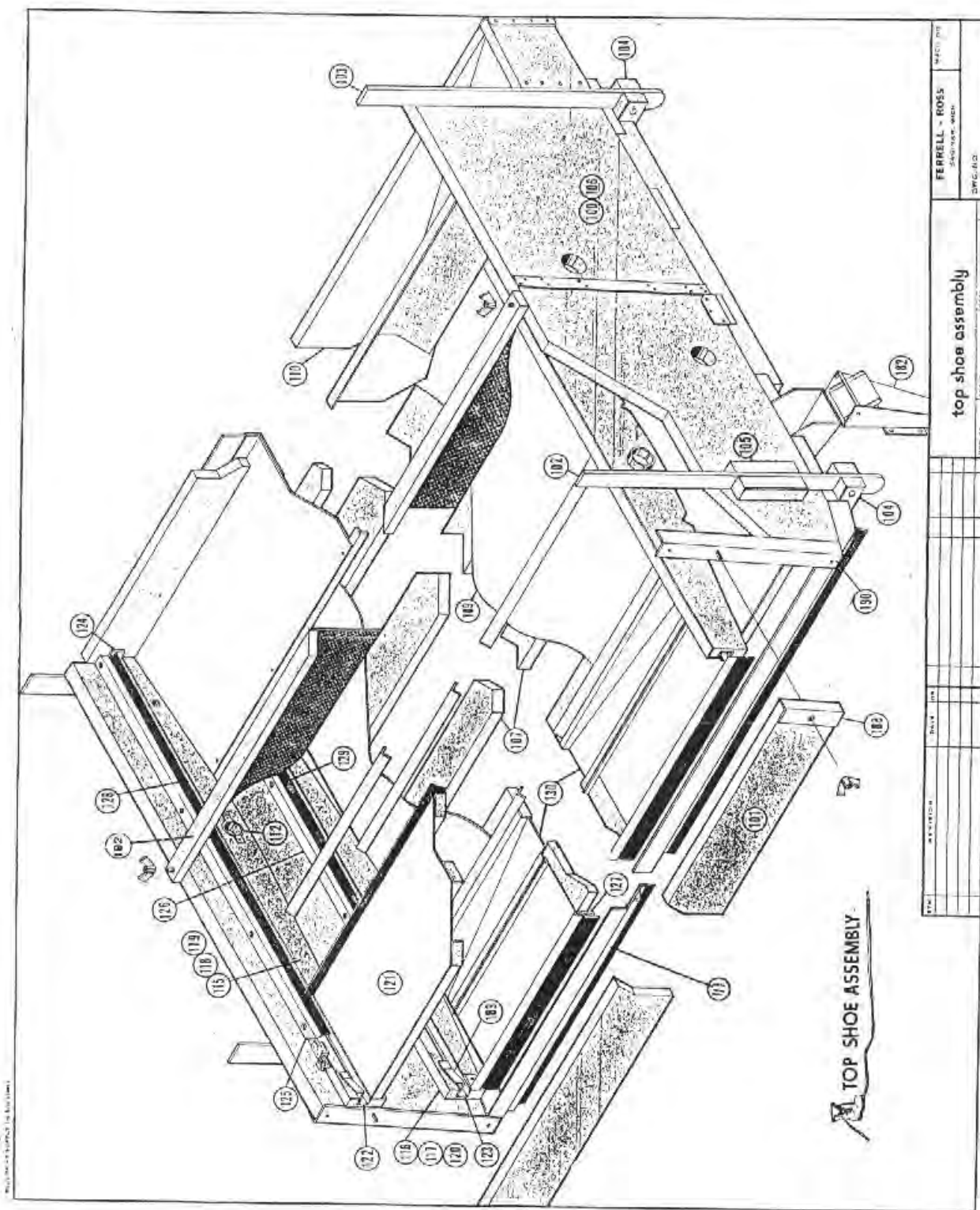
FERRELL - ROSS
 SAGINAW, MICH

pitman assembly

DATE	NO.	DATE	NO.	DATE	NO.	DATE	NO.	DATE	NO.	DATE	NO.	DATE	NO.
------	-----	------	-----	------	-----	------	-----	------	-----	------	-----	------	-----

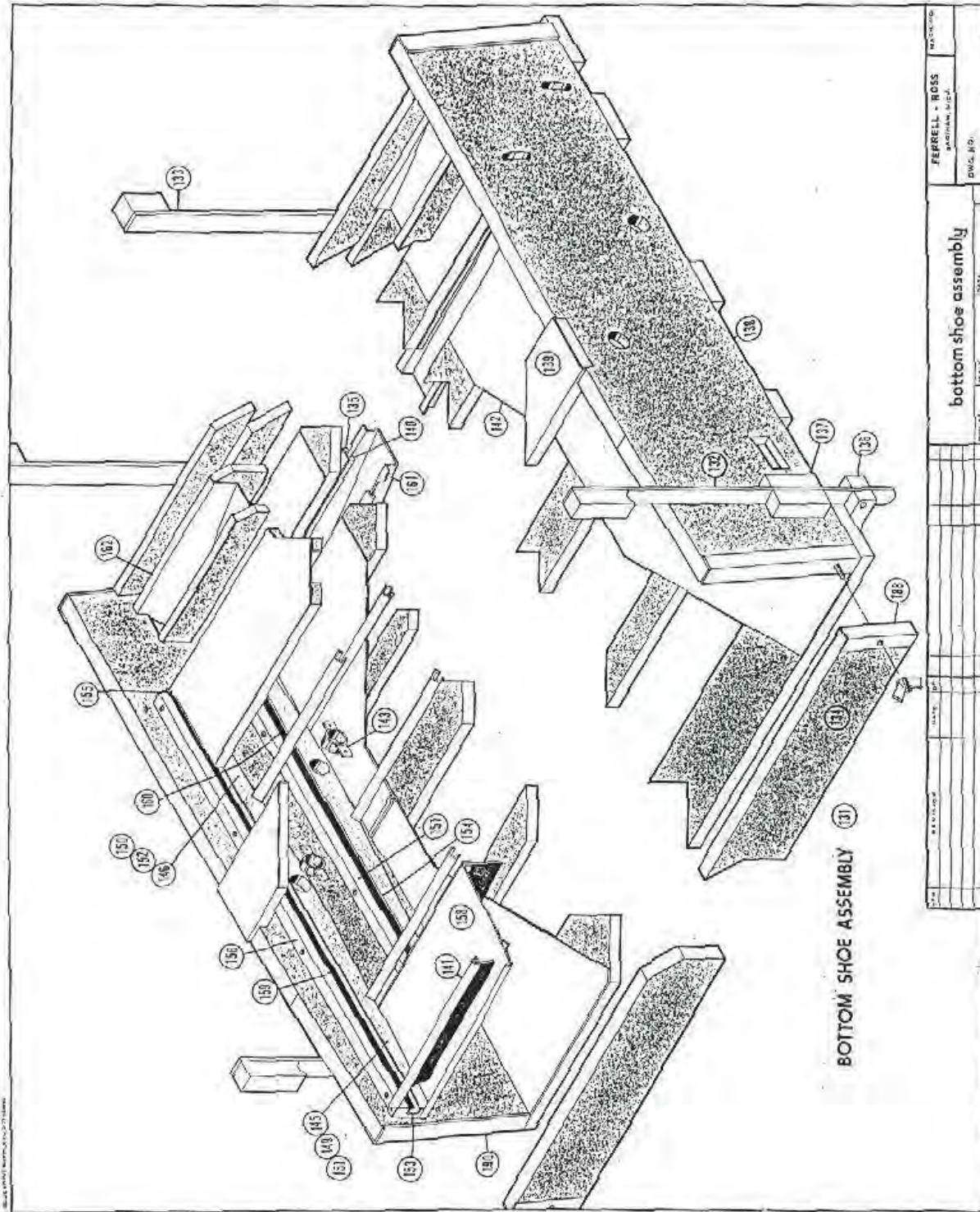
SCALE

DWG. NO. _____



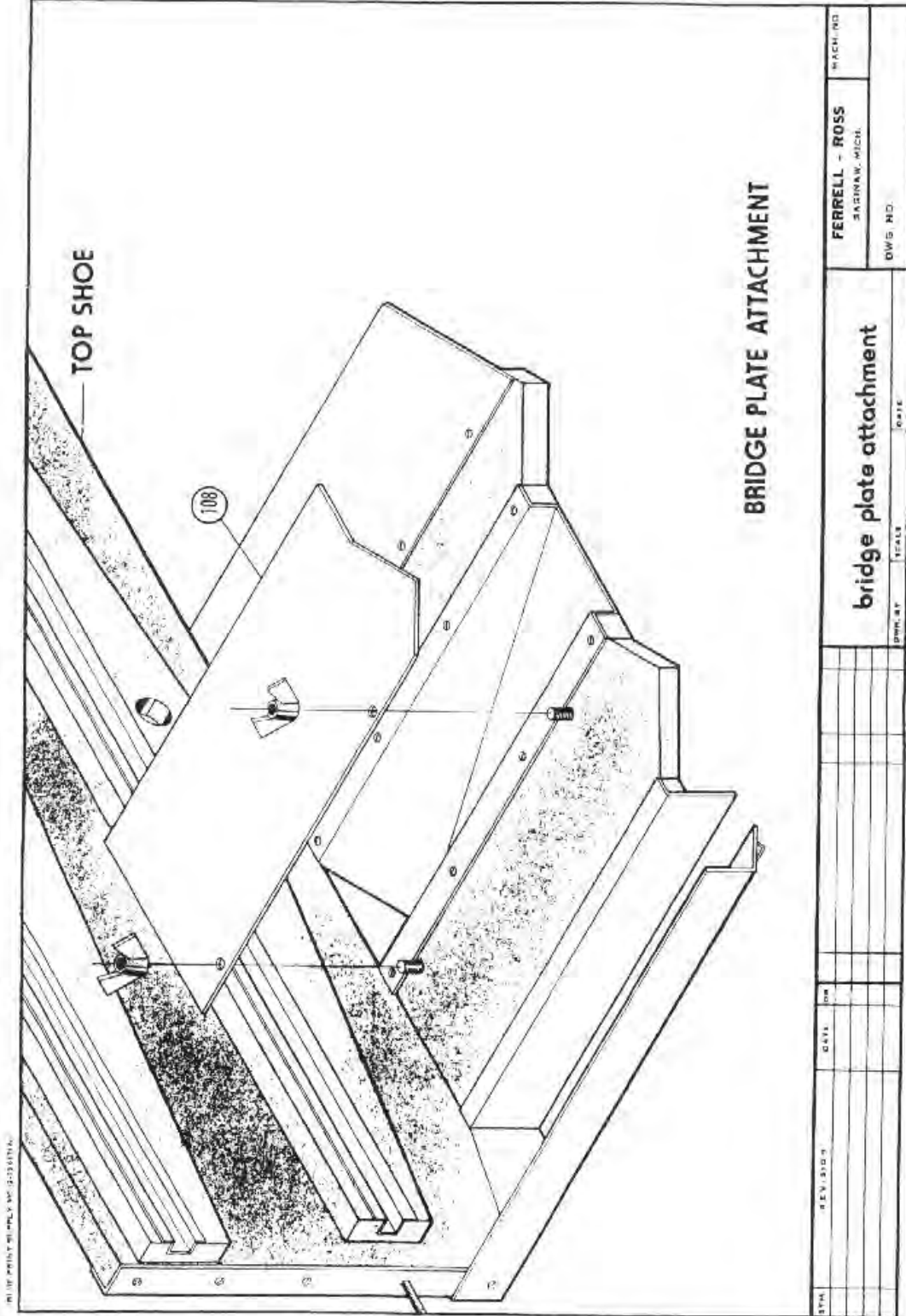
FERRELL & ROSS 5401 10th AVE. N.W. DWC, B.C.	
top shoe assembly	
DATE	1942
BY	
CHECKED	
APPROVED	
SCALE	
QUANTITY	
REVISIONS	

TOP SHOE ASSEMBLY



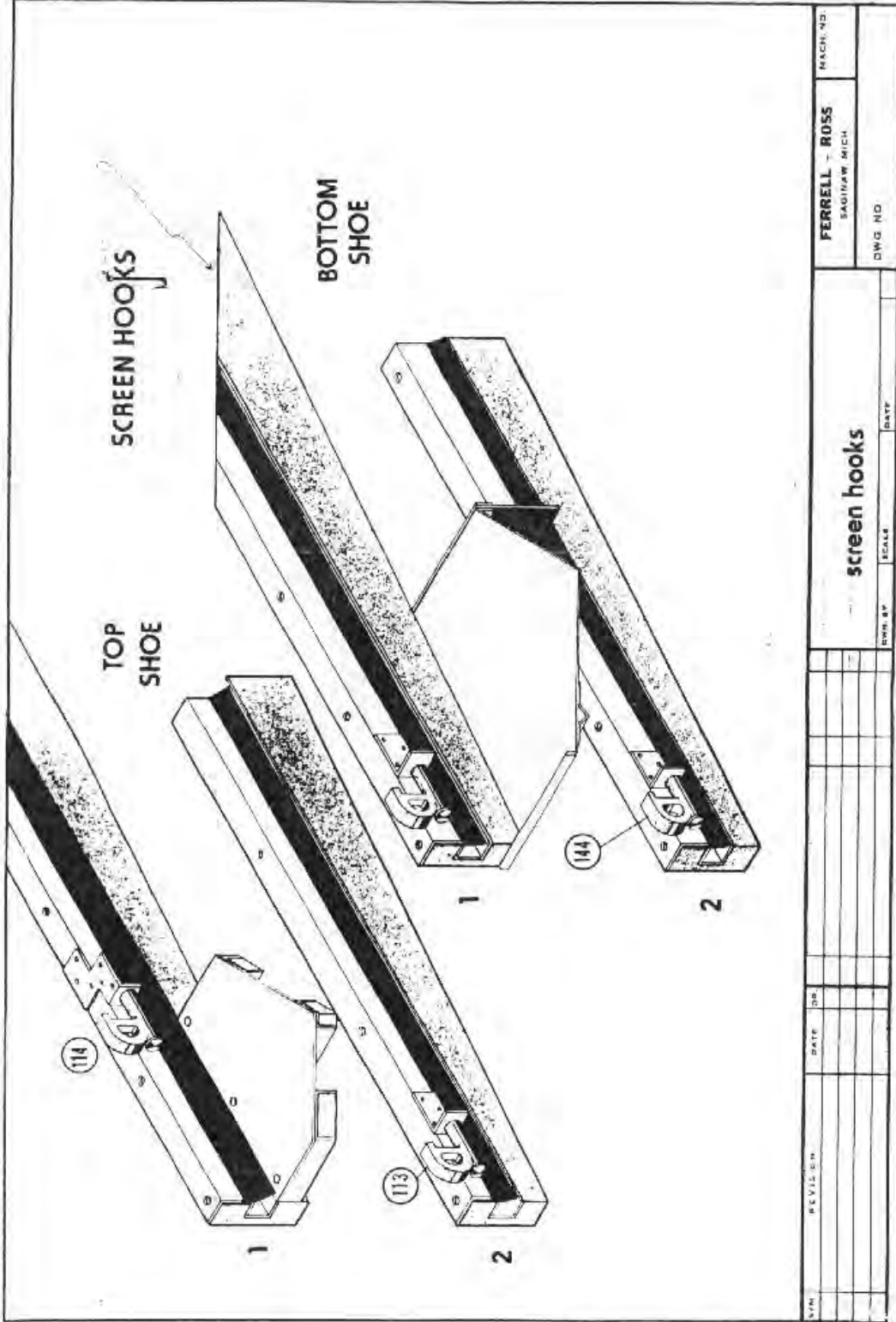
FERRELL - BOSS		REV. 01/10/08
S.A. FERRELL & CO.		REV. 01/10/08
bottom shoe assembly		REV. 01/10/08
D.M.C. S.P.A.		REV. 01/10/08
REV. 01/10/08		REV. 01/10/08
REV. 01/10/08		REV. 01/10/08
REV. 01/10/08		REV. 01/10/08
REV. 01/10/08		REV. 01/10/08
REV. 01/10/08		REV. 01/10/08
REV. 01/10/08		REV. 01/10/08
REV. 01/10/08		REV. 01/10/08

BOTTOM SHOE ASSEMBLY (31)

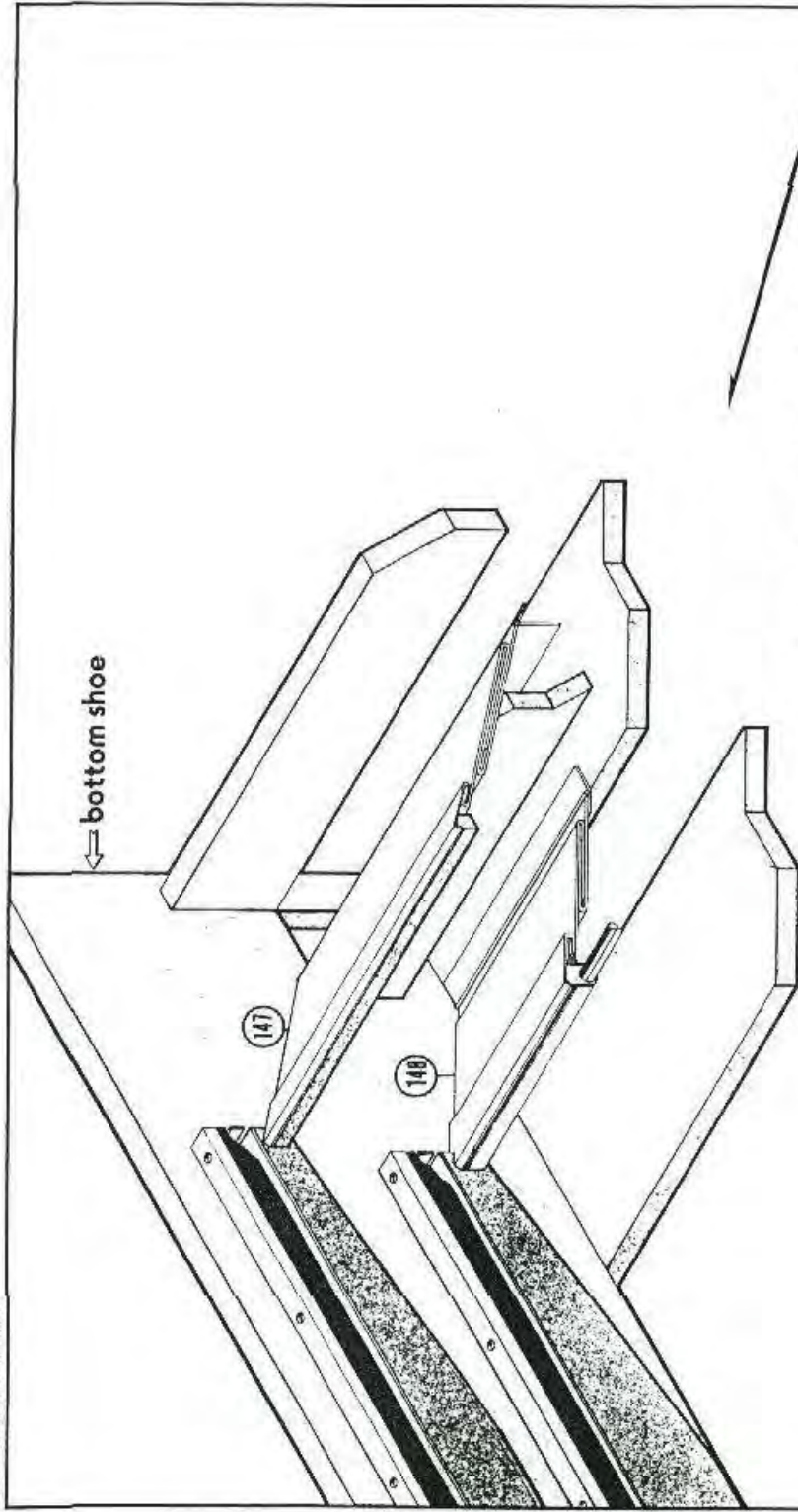


BRIDGE PLATE ATTACHMENT

DATE	REV. NO.	DATE	BY	SCALE	DATE	BY	DATE	BY	DATE	BY
bridge plate attachment						DWG. NO.				
FERRELL - ROSS						DRAWING				
SARINAW, MICHEL						DWS. NO.				
DRAWING						DWS. NO.				



BLUE PRINT SUPPLY COMPANY, INC.

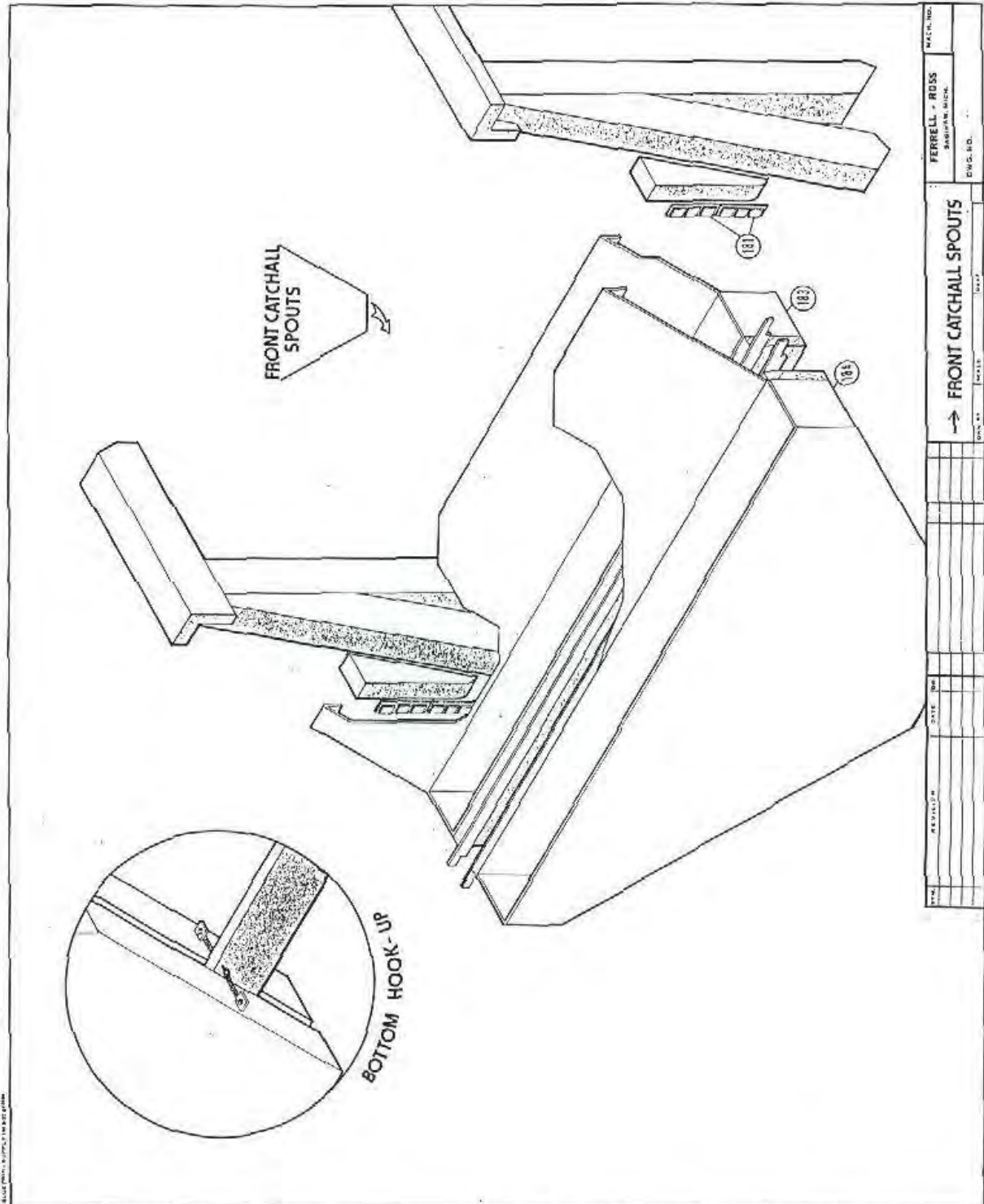


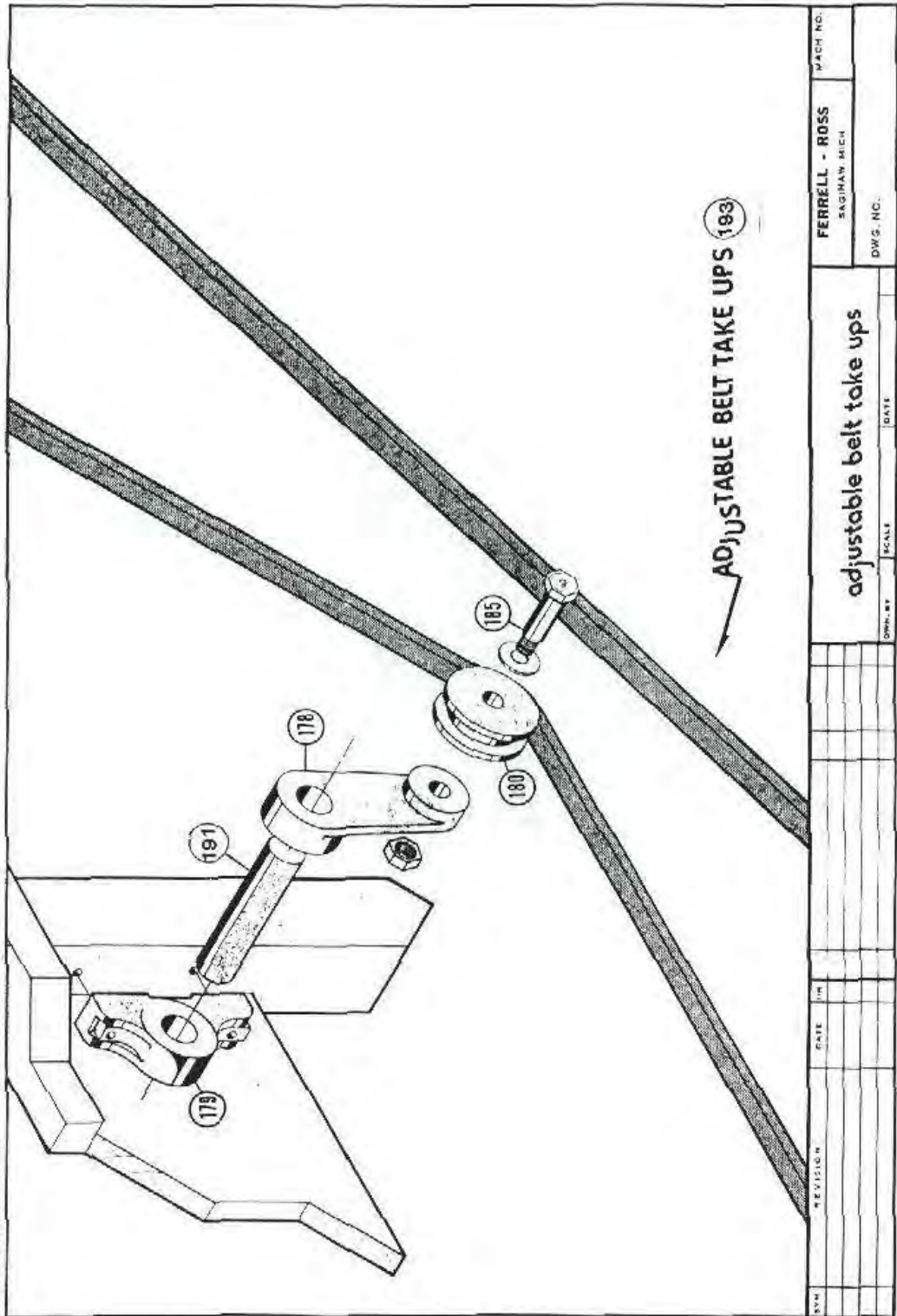
← bottom shoe

ARRANGEMENT FOR TELESCOPIC APRONS

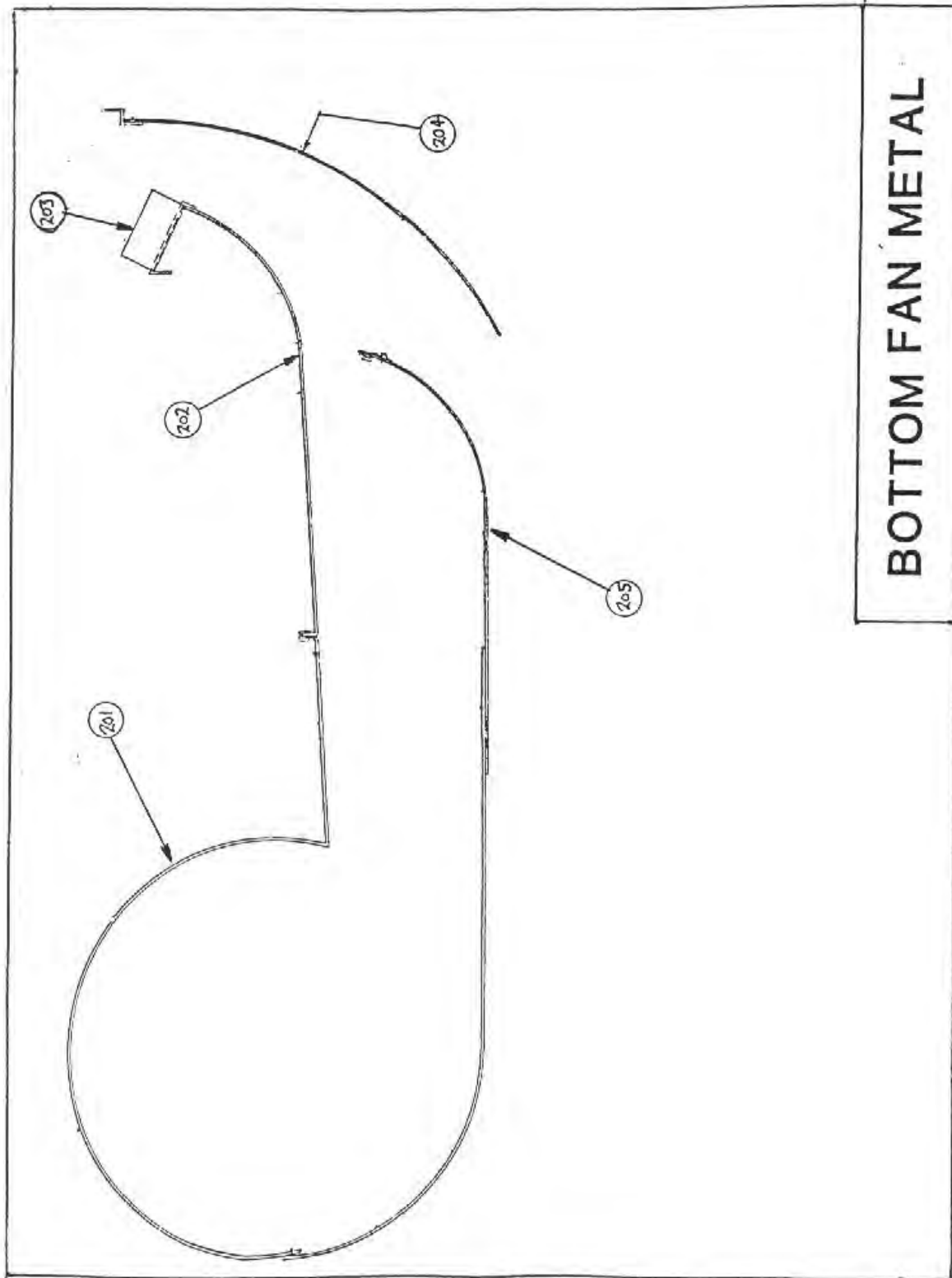
SYM	REVISION	DATE	BY	SCALE	DATE	FERRELL - ROSS		MECH. NO
						SAGINAW, MICH		
DRAWN BY						DWG. NO		
arrangement for telescopic aprons,								

ALL RIGHTS RESERVED BY THE AUTHOR



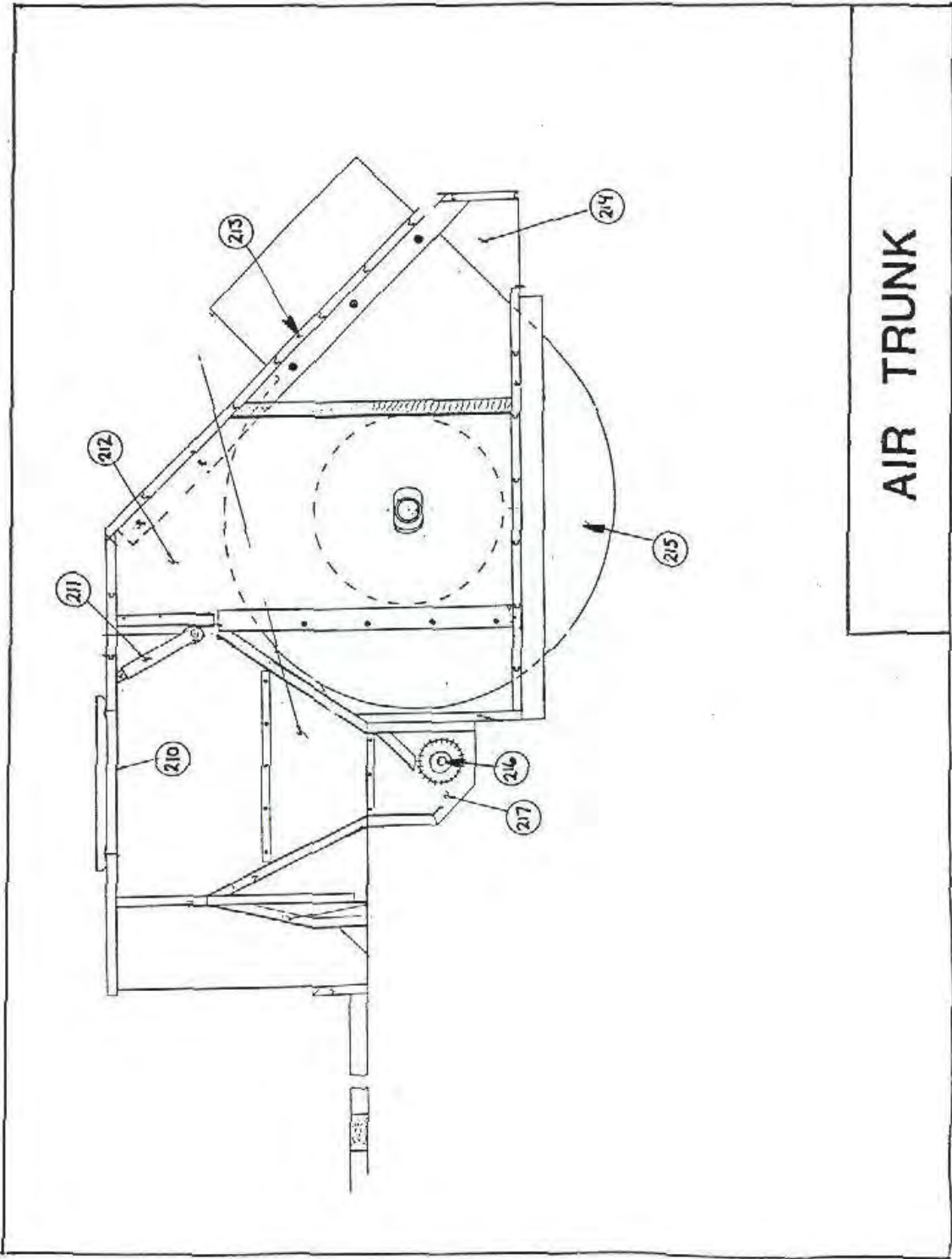


REV		REVISION		DATE	DATE	BY	SCALE	DATE	OWNER	DWG. NO.	
										193	
adjustable belt take ups								FERRELL - ROSS		MACH. NO.	
								SASINAW, NICH			
								DWS, NC.			



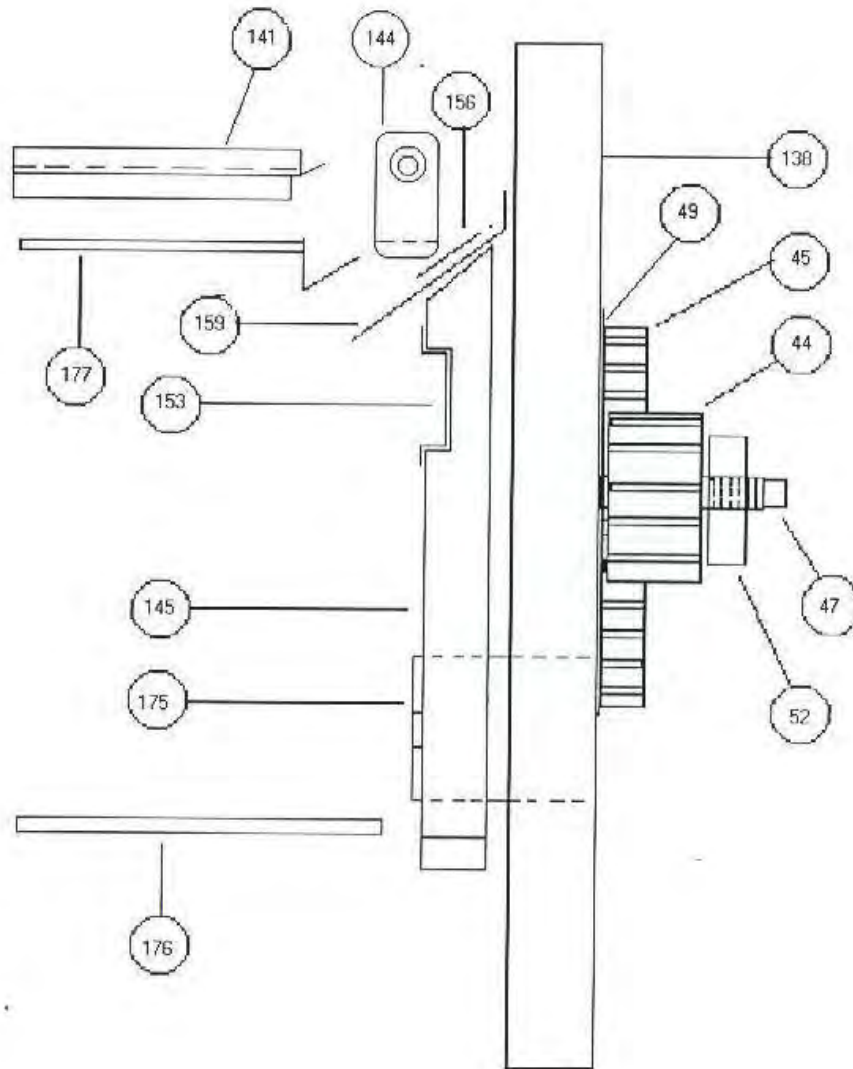
BOTTOM FAN METAL

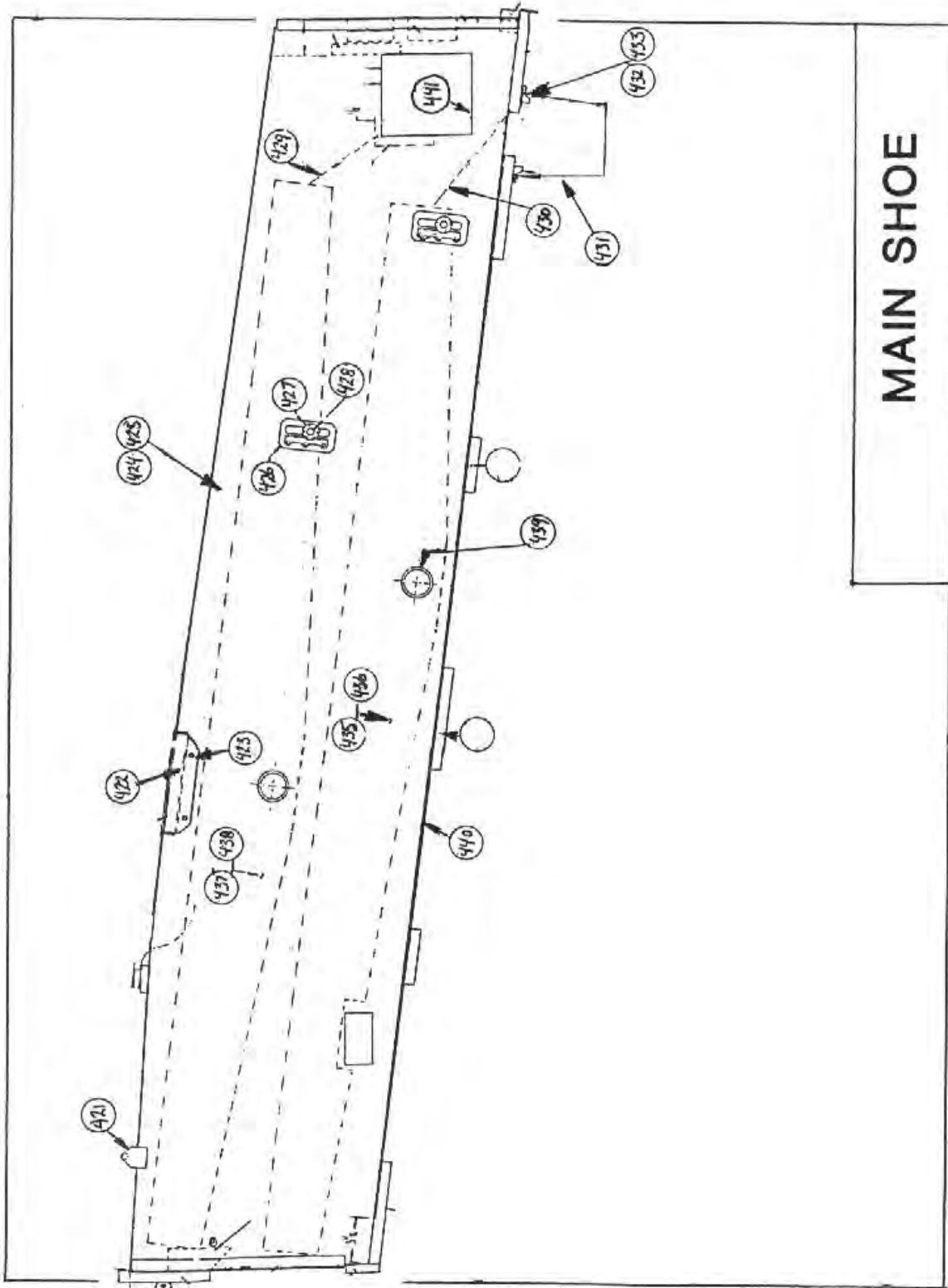
25



AIR TRUNK

Rocker Assembly View Brush Style





MAIN SHOE