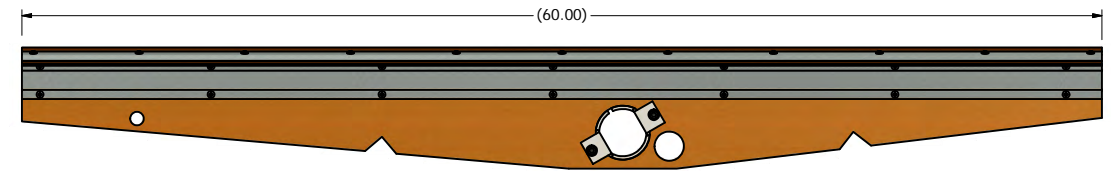
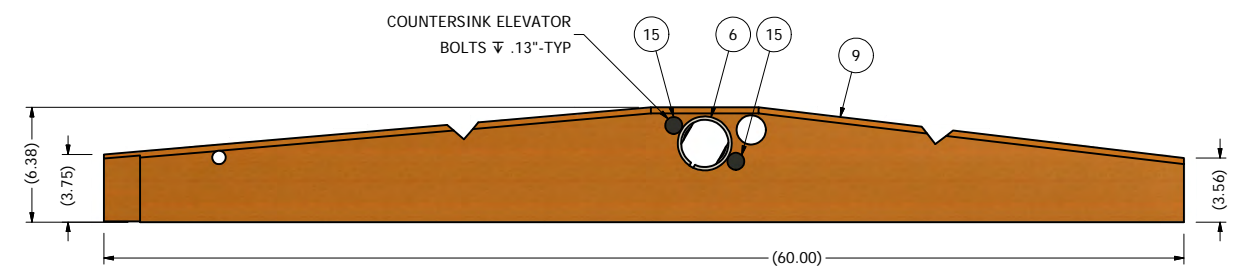


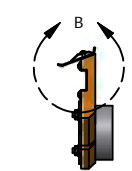
REVISION HISTORY			
REV	ECN	DESCRIPTION	DATE
A	XXXXXX	RELEASE	2/22/1951
B	F130043	REDAWN CAD, WAS C SIZE GROUP DRAWING, F03806000 & F90005100 WAS F03801000 & F90005300, ADD F03505800	3/27/2013



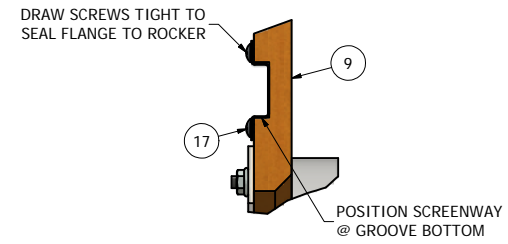
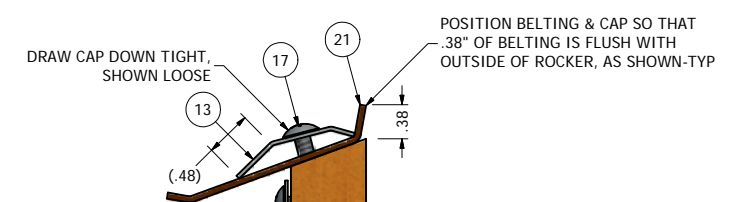
STEP 2: RIGHT ROCKER SIDE ASSEMBLY, LEFT SIDE VIEW  
 TYPICAL ASSEMBLY FOR LEFT ROCKER SIDE



STEP 1: RIGHT ROCKER SIDE ASSEMBLY, LEFT SIDE VIEW  
 TYPICAL ASSEMBLY FOR LEFT ROCKER SIDE




DETAIL B  
 SCALE 1:1



DETAIL A  
 SCALE 1/2

ITEM	PART NUMBER	QTY	DESCRIPTION
21	F91152006	10.333	BELTING, 3 PLY FSXFS 2.50 X 62.00"
20	F90005301	1	GIRT WLDMT, ROCKER ADJUSTMENT, CENTERED, #8
19	F84212122	4	SMS, FLT X HD #8 X 3/4"
18	F83453403	4	SMS, PAN X HD, #10 X 3/4"
17	F83453402	56	SMS, PAN X HD, #8 X 3/4"
16	F83440301	4	SMS, FLAT CROSS HEAD #10 X 1.50"
15	F82021407	4	BOLT, ELEV 1/4-20 X 1.25"
14	F03806000	2	ANGLE, SCREEN STOP, ROCKER
13	F03801100	2	CAP, RUBBER HOLDING, ROCKER, 60.00"
12	F03800413	2	LINER, SCREENWAY, ROCKER, 60.00"
11	F03800001	2	BRACE, BOTTOM, ROCKER, #8
10	F03600100	1	SIDE, LH, ROCKER, TOP SHOE, 29D/298D
9	F03600000	1	SIDE, RH, ROCKER, TOP SHOE, 29D/298D
8	F03505805	1	GIRT WLDMT, PIPE, ROCKER #8
7	F03500800	2	SCREEN HOOK ASSY, STANDARD
6	F03500600	2	CUP WLDMT, ROCKER, HEAVY DUTY BRUSH
5	F03310008	1	GRAIN STOP ASSY, ROCKER, 2.50" X #8
4	66783300	4	NUT, HEX SERR LOCK 1/4-20
3	66782600	6	NUT, HEX SERR LOCK 10-24
2	65852226	4	SMS, FLT X HD #8 X 1.25"
1	60282626	6	BOLT, CARR 10-24 X 1.25"



**CLIPPER**  
SEPARATION TECHNOLOGIES  
SINCE 1988

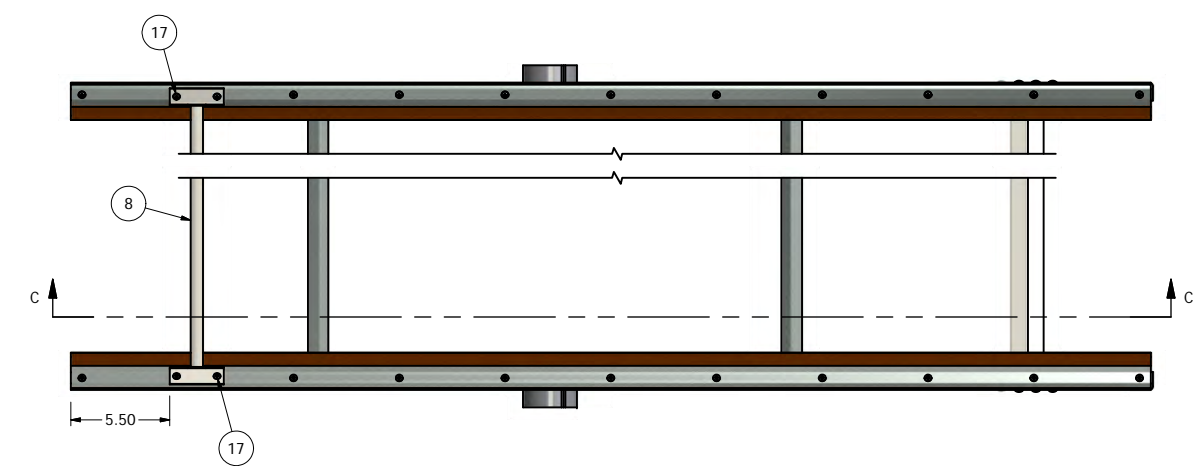
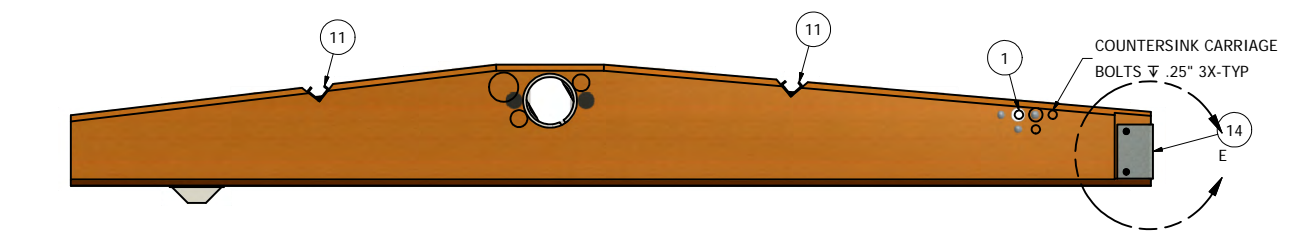
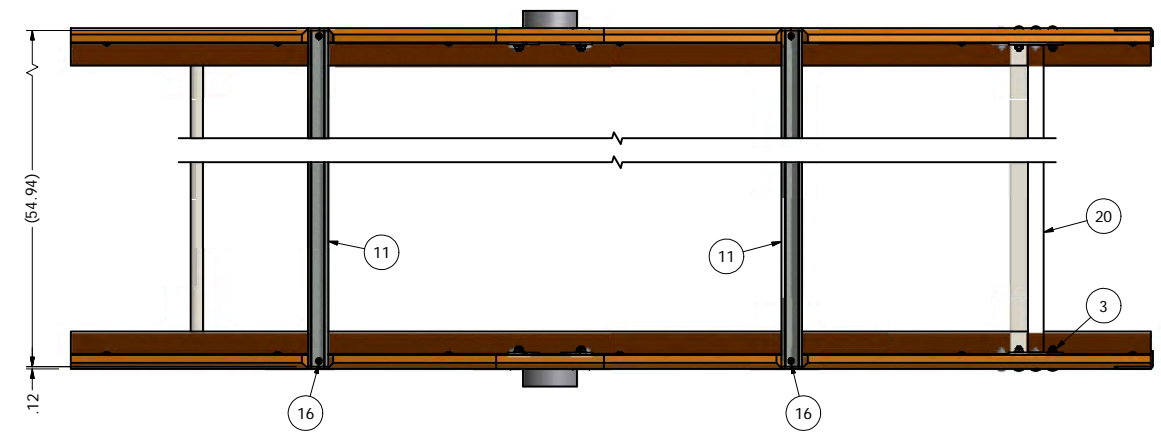
**DIVISION OF**  
**A.T. FERRELL COMPANY**  
 1440 S ADAMS ST  
 BLUFFTON, INDIANA  
 46714 - USA  
 PH: 260-824-3400  
 FAX: 260-824-5463

This drawing is the property of the A.T. Ferrell Company, Inc and must be returned immediately upon request. No part of this drawing may be reproduced, stored in a retrieval system or transmitted in any form or by any means, without prior written consent of the A.T. Ferrell Company, Inc.

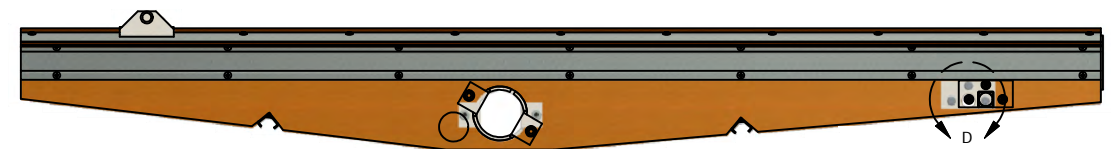
TOLERANCES EXCEPT AS NOTED	TITLE:
DECIMAL: XX ± .030	ROCKER ASSY, BOTTOM, TOP SHOE, 29 D
FRACTIONAL: XXX ± .005	
ANGULAR: XXXX ± .001	
FINISH: NONE	
SCALE: 0.19:1	SHEET: 1 OF 3
SIZE: D	PART NUMBER: F03500100
CAD NO MANUAL CHANGES	REV: B

NOTES:  
 1. DO NOT SCALE FROM DRAWING.  
 2. ONE PIECE REQUIRED PER F03000004: SHOE ASSY, TOP W/ ROCKERS, 298D.

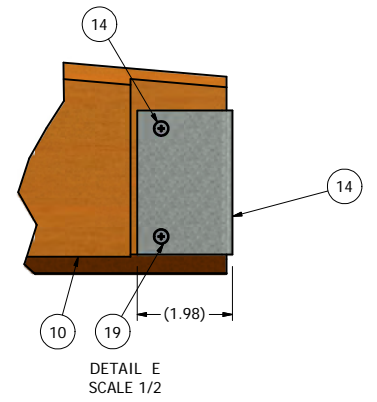
REVISION HISTORY			
REV	ECN	DESCRIPTION	DATE
A	XXXXXX	RELEASE	2/22/1951
B	F130043	REDRAWN CAD, WAS C SIZE GROUP DRAWING, F03806000 & F90005100 WAS F03801000 & F90005300, ADD F03505800	3/27/2013



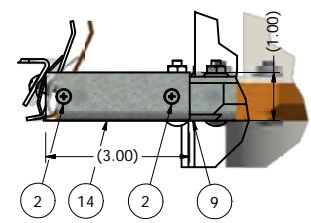
STEP 3: GIRT INSTALLATION, TOP VIEW



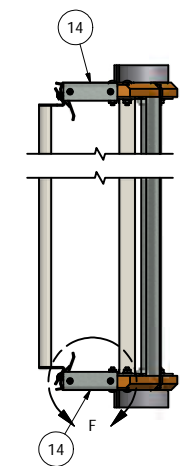
SECTION C-C



DETAIL E  
SCALE 1/2



DETAIL F  
SCALE 1/2



DETAIL D  
SCALE 1/2

ITEM	PART NUMBER	QTY	DESCRIPTION
21	F91152006	10.333	BELTING, 3 PLY FSXFS 2.50 X 62.00"
20		1	GIRT WLDMT, ROCKER ADJUSTMENT, CENTERED, #8
19	F84212122	4	SMS, FLT X HD #8 X 3/4"
18	F83453403	4	SMS, PAN X HD, #10 X 3/4"
17	F83453402	56	SMS, PAN X HD, #8 X 3/4"
16	F83440301	4	SMS, FLAT CROSS HEAD #10 X 1.50"
15	F82021407	4	BOLT, ELEV 1/4-20 X 1.25"
14	F03806000	2	ANGLE, SCREEN STOP, ROCKER
13	F03801100	2	CAP, RUBBER HOLDING, ROCKER, 60.00"
12	F03800413	2	LINER, SCREENWAY, ROCKER, 60.00"
11		2	BRACE, BOTTOM, ROCKER, #8
10	F03600100	1	SIDE, LH, ROCKER, TOP SHOE, 29D/298D
9	F03600000	1	SIDE, RH, ROCKER, TOP SHOE, 29D/298D
8		1	GIRT WLDMT, PIPE, ROCKER #8
7	F03500800	2	SCREEN HOOK ASSY, STANDARD
6	F03500600	2	CUP WLDMT, ROCKER, HEAVY DUTY BRUSH
5		1	GRAIN STOP ASSY, ROCKER, 2.50" X #8
4	66783300	4	NUT, HEX SERR LOCK 1/4-20
3	66782600	6	NUT, HEX SERR LOCK 10-24
2	65852226	4	SMS, FLT X HD #8 X 1.25"
1	60282626	6	BOLT, CARR 10-24 X 1.25"

**DIVISION OF**  
**A.T.FERRELL COMPANY**  
 1440 S ADAMS ST  
 BLUFFTON, INDIANA  
 46714 - USA  
 PH: 260-824-3400  
 FAX: 260-824-5463

This drawing is the property of the A.T. Ferrell Company, Inc and must be returned immediately upon request. No part of this drawing may be reproduced, stored in a retrieval system or transmitted in any form or by any means, without prior written consent of the A.T. Ferrell Company, Inc.

DRAWN BY: dmjohnson  
 DRAWN DATE: 3/27/2013  
 APPROVED BY: DMJ

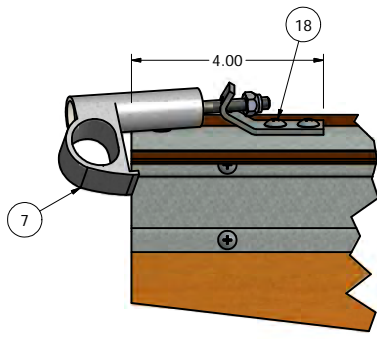
TOLERANCES EXCEPT AS NOTED	TITLE:
DECIMAL: ± .030	ROCKER ASSY, BOTTOM, TOP SHOE, 29D
FRACTIONAL: ± 1/32	
ANGULAR: ± 1/2°	
FINISH: NONE	
CAD NO MANUAL CHANGES	SCALE: 0.19:1 SHEET: 2 OF 3 SIZE: D PART NUMBER: F03500100 REV: B

NOTES:  
 1. DO NOT SCALE FROM DRAWING.  
 2. ONE PIECE REQUIRED PER F03000004: SHOE ASSY, TOP W/ ROCKERS, 298D.

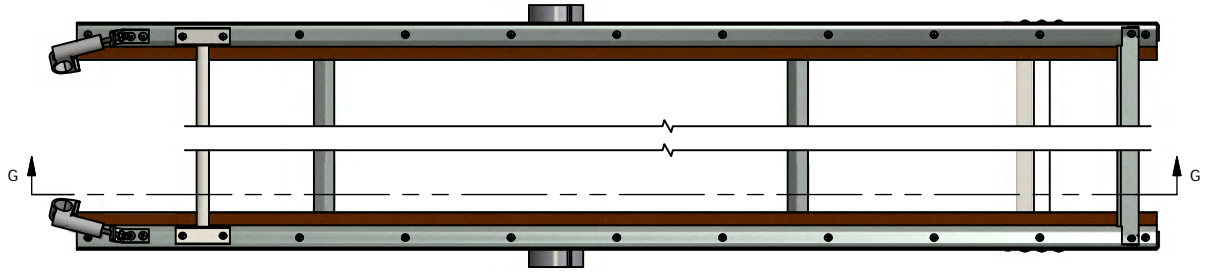
F0350010

A

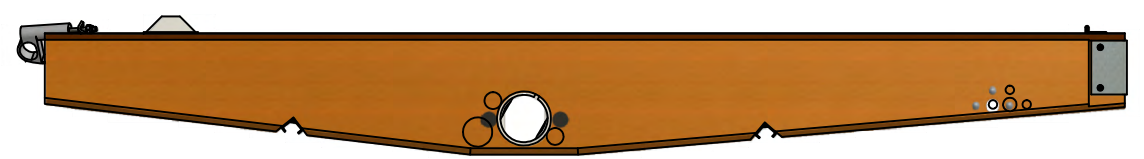
REVISION HISTORY			
REV	ECN	DESCRIPTION	DATE
A	XXXXXX	RELEASE	2/22/1951
B	F130043	REDRAWN CAD, WAS C SIZE GROUP DRAWING, F03806000 & F90005100 WAS F03801000 & F90005300, ADD F03505800	3/27/2013



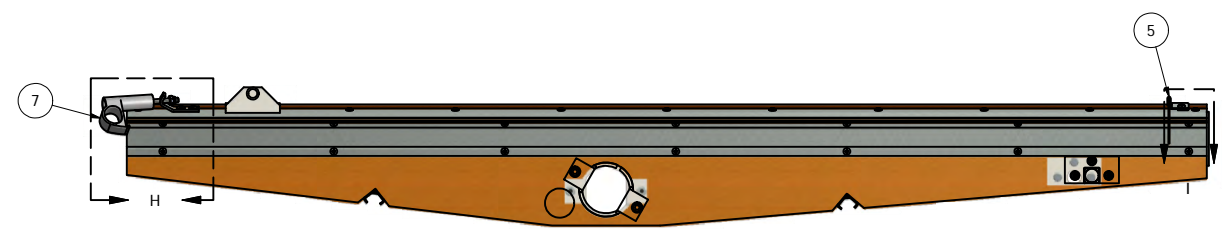
DETAIL H  
SCALE 1/2



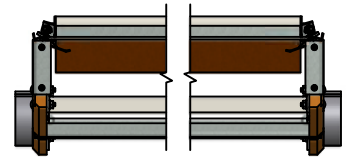
SECTION G-G



STEP 4: COMPLETE ASSEMBLY, RIGHT SIDE VIEW



SECTION H-H



DETAIL I  
SCALE 3/8



ITEM	PART NUMBER	QTY	DESCRIPTION
21	F91152006	10.333	ft BELTING, 3 PLY FSXFS 2.50 X 62.00"
20		1	GIRT WLDMT, ROCKER ADJUSTMENT, CENTERED, #8
19	F84212122	4	SMS, FLT X HD #8 X 3/4"
18	F83453403	4	SMS, PAN X HD, #10 X 3/4"
17	F83453402	56	SMS, PAN X HD, #8 X 3/4"
16	F83440301	4	SMS, FLAT CROSS HEAD #10 X 1.50"
15	F82021407	4	BOLT, ELEV 1/4-20 X 1.25"
14	F03806000	2	ANGLE, SCREEN STOP, ROCKER
13	F03801100	2	CAP, RUBBER HOLDING, ROCKER, 60.00"
12	F03800413	2	LINER, SCREENWAY, ROCKER, 60.00"
11		2	BRACE, BOTTOM, ROCKER, #8
10	F03600100	1	SIDE, LH, ROCKER, TOP SHOE, 29D/298D
9	F03600000	1	SIDE, RH, ROCKER, TOP SHOE, 29D/298D
8		1	GIRT WLDMT, PIPE, ROCKER #8
7	F03500800	2	SCREEN HOOK ASSY, STANDARD
6	F03500600	2	CUP WLDMT, ROCKER, HEAVY DUTY BRUSH
5		1	GRAIN STOP ASSY, ROCKER, 2.50" X #8
4	66783300	4	NUT, HEX SERR LOCK 1/4-20
3	66782600	6	NUT, HEX SERR LOCK 10-24
2	65852226	4	SMS, FLT X HD #8 X 1.25"
1	60282626	6	BOLT, CARR 10-24 X 1.25"

**CLIPPER** SEPARATION TECHNOLOGIES SINCE 1988

**DIVISION OF A.T.FERRELL COMPANY**  
 1440 S ADAMS ST  
 BLUFFTON, INDIANA 46714 - USA  
 PH: 260-824-3400  
 FAX: 260-824-5463

This drawing is the property of the A.T. Ferrell Company, Inc and must be returned immediately upon request. No part of this drawing may be reproduced, stored in a retrieval system or transmitted in any form or by any means, without prior written consent of the A.T. Ferrell Company, Inc.

DRAWN BY: dmjohnson  
 DRAWN DATE: 3/27/2013  
 APPROVED BY: DMJ

TOLERANCES EXCEPT AS NOTED	TITLE:
DECIMAL: XX ± .030	ROCKER ASSY, BOTTOM, TOP SHOE, 29D
FRACTIONAL: XXX ± .005	
ANGULAR: XXXX ± .001	FINISH: NONE
	ANGULAR: ± 1/2°
CAD NO MANUAL CHANGES	SCALE: 0.19:1
	SHEET: 3 OF 3
	SIZE: D
	PART NUMBER: F03500100
	REV: B

NOTES:  
 1. DO NOT SCALE FROM DRAWING.  
 2. ONE PIECE REQUIRED PER F03000004: SHOE ASSY, TOP W/ ROCKERS, 298D.