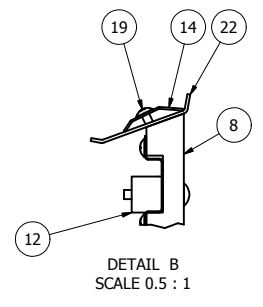
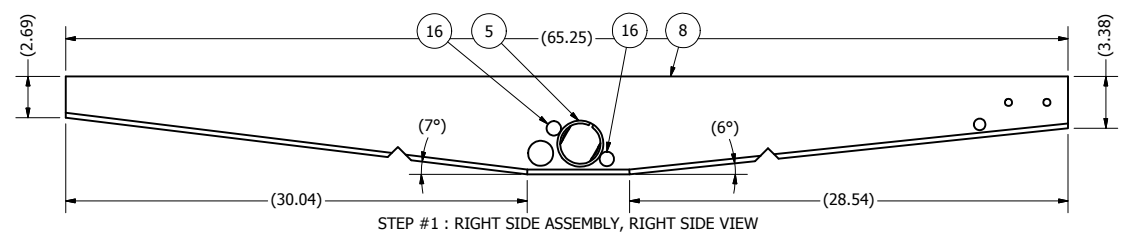
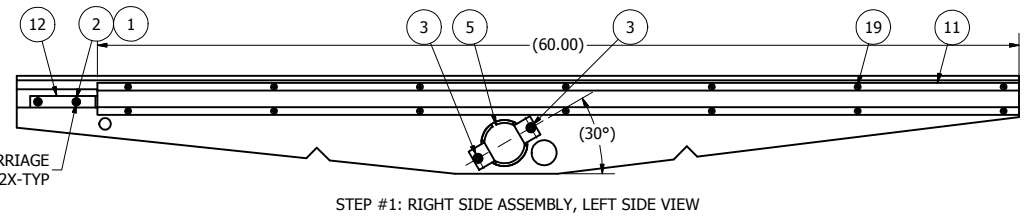
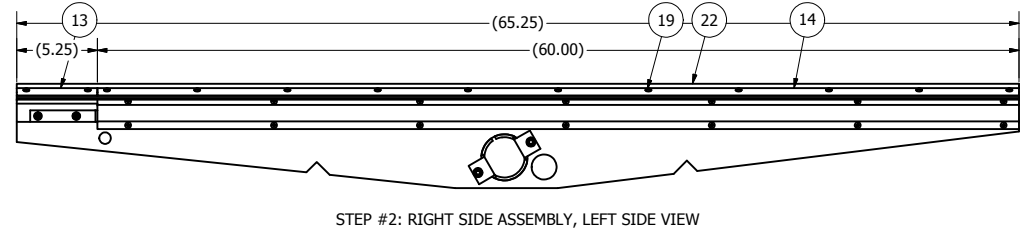
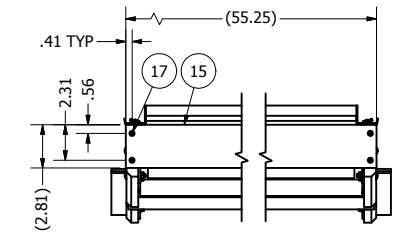
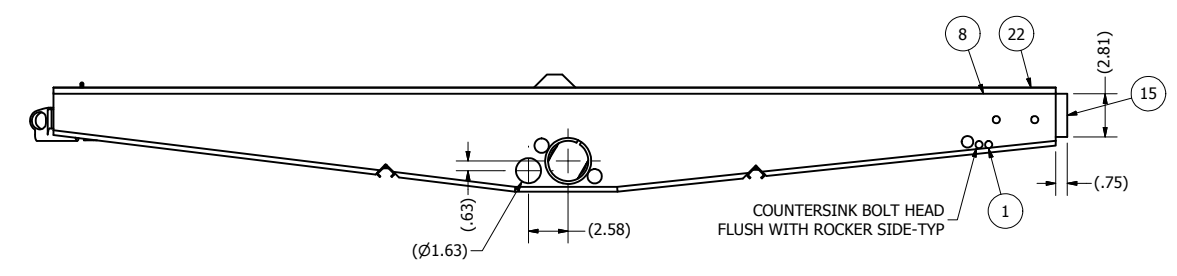
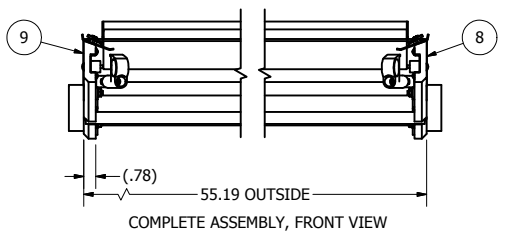
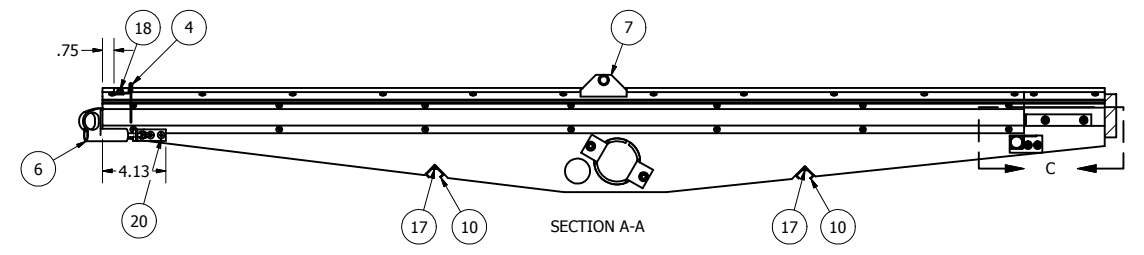
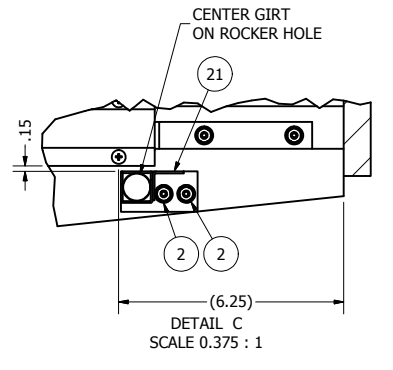
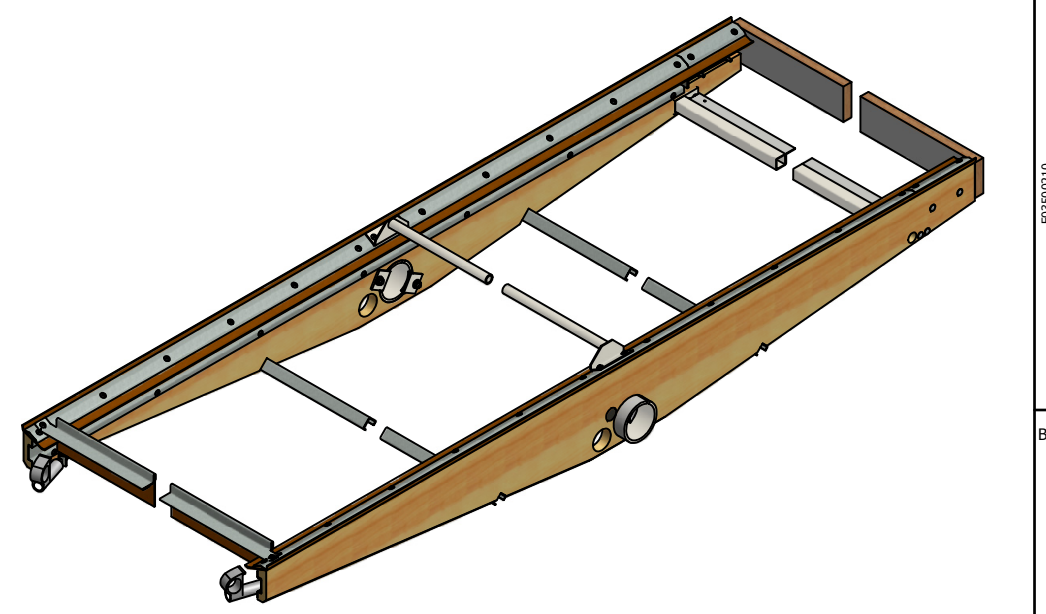
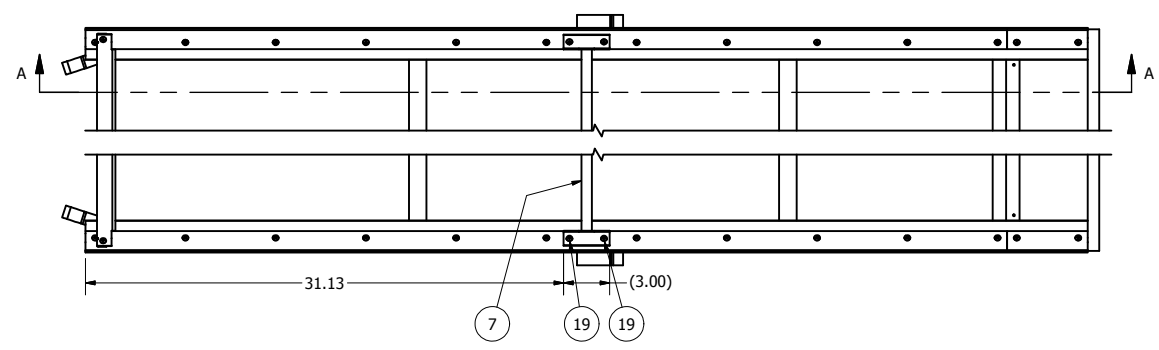


REVISION HISTORY				
REV	ECN	DESCRIPTION	DATE	APPROVED
A	XXXXXX	RELEASE	2/19/1951	RH
B	F120129	REDRAWN CAD, WAS C SIZE	11/29/2012	dmjohnson
C	F120131	F90005300 WAS F90005303, ADD F11302498	12/5/2012	dmjohnson
D	F130043	ROTATE ROCKER CUPS 30 DEG, ADD F03505800, 60282626 & 66782600 WAS F83453402(8)	4/11/2013	jlmoos



ITEM	PART NUMBER	QTY	DESCRIPTION
22	F91152006	2	BELTING, 3 PLY FSXFS 2.50 X 65.25"
21	F90005303	1	GIRT WLDMT, ROCKER ADJ, TELESCOPING, #8
20	F83453403	4	SMS, PAN X HD, #10 X 3/4"
19	F83453402	58	SMS, PAN X HD, #8 X 3/4"
18	F83450101	2	SMS, PAN X HD, #8 X 1.00"
17	F83440301	8	SMS, FLAT CROSS HEAD #10 X 1.50"
16	F82021407	4	BOLT, ELEV 1/4-20 X 1.25"
15	F11307305	1	BOARD, REAR, SPOUT GIRT 2.81", S498D
14	F03801100	2	CAP, RUBBER HOLDING, ROCKER, 60.00"
13	F03801100	2	CAP, RUBBER HOLDING, ROCKER, 5.25"
12	F03801000	2	STOP, SCREEN .75 X 4.38"
11	F03800413	2	LINER, SCREENWAY, ROCKER, 60.00"
10	F03800002	2	BRACE, BOTTOM, ROCKER, #8
9	F03600300	1	SIDE, ROCKER, LH TOP, BOTTOM SHOE, 298D
8	F03600200	1	SIDE, ROCKER, RH TOP, BOTTOM SHOE, 298D
7	F03505800	1	GIRT WLDMT, PIPE, ROCKER #8
6	F03500800	2	SCREEN HOOK ASSY, STANDARD
5	F03500600	2	CUP WLDMT, ROCKER, HEAVY DUTY BRUSH
4	F03310009	1	GRAIN STOP ASSY, ROCKER, 2.50" X #8
3	66783300	4	NUT, HEX SERR LOCK 1/4-20
2	66782600	8	NUT, HEX SERR LOCK 10-24
1	60282626	8	BOLT, CARR 10-24 X 1.25"

NOTES:
 1. DO NOT SCALE FROM DRAWING.
 2. ONE PIECE REQUIRED PER F03000108: SHOE ASSY, BOTTOM RH W/ROCKERS, 298D.
 3. ONE PIECE REQUIRED PER F03008106/07: SHOE ASSY, BOTTOM LH/RH W/ROCKERS, 69A & D.

This drawing is the property of the A.T. Ferrell Company, Inc and must be returned immediately upon request. No part of this drawing may be reproduced, stored in a retrieval system or transmitted in any form or by any means, without prior written consent of the A.T. Ferrell Company, Inc.

CAD
 NO MANUAL CHANGES

TOLERANCES
 EXCEPT AS NOTED

DECIMAL: .005
 .010
 .030

FRACTIONAL: 1/32

ANGULAR: 1/2

DIVISION OF A. T. FERRELL COMPANY
 SINCE 1869
 BLUFFTON, INDIANA - USA

FINISH: NONE
 SCALE: 0.16:1
 DRAWN BY: dmjohnson
 APPROVED BY: DMJ

TITLE: ROCKER ASSY, TOP, BOTTOM SHOE, 298D
 DATE: 10/28/2008
 SIZE: D
 PART NUMBER: F03500210
 SHEET: 1 of 1