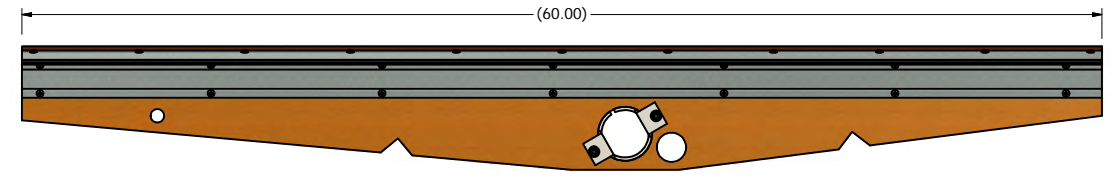
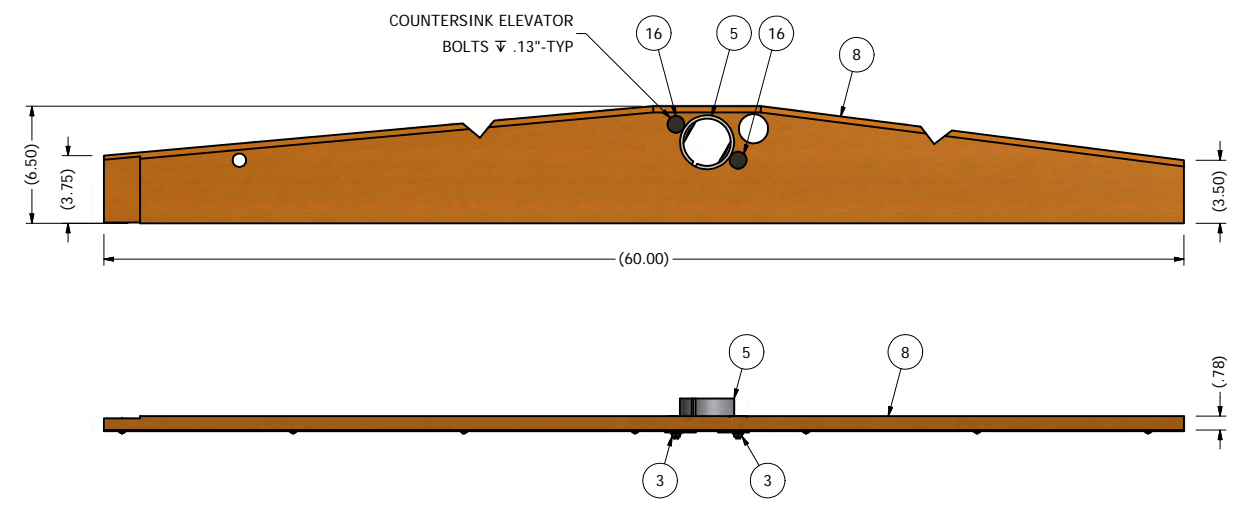


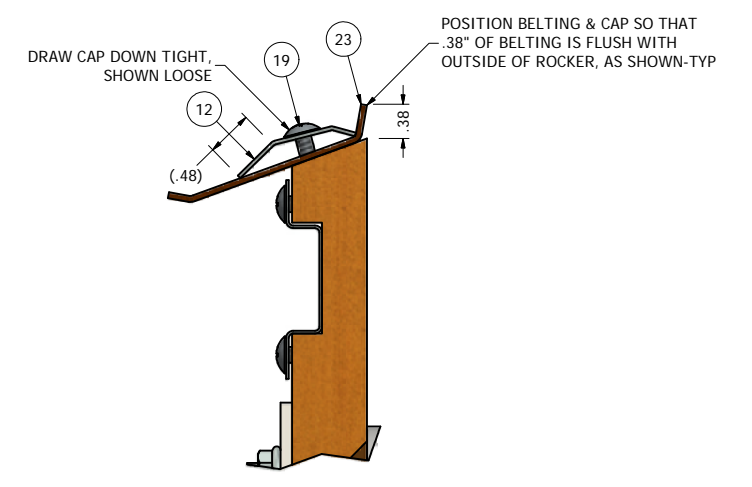
REVISION HISTORY				
REV	ECN	DESCRIPTION	DATE	APPROVED
A	XXXXXX	RELEASE	5/7/1957	DR
B	F120091	REDRAWN CAD, WAS C SIZE GROUP DRAWING	9/13/2012	dmjohnson
C	F130052	ROTATE ROCKER CUPS 30 DEG	4/5/2013	dmjohnson



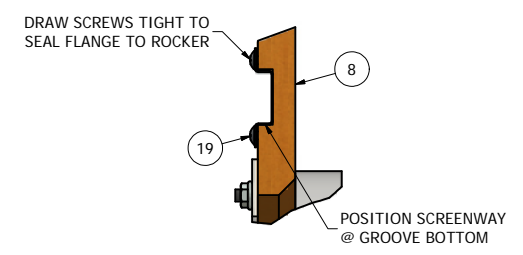
STEP 2: RIGHT ROCKER SIDE ASSEMBLY, LEFT SIDE VIEW  
 TYPICAL ASSEMBLY FOR LEFT ROCKER SIDE



STEP 1: RIGHT ROCKER SIDE ASSEMBLY, LEFT SIDE VIEW  
 TYPICAL ASSEMBLY FOR LEFT ROCKER SIDE



DETAIL B  
 SCALE 1:1



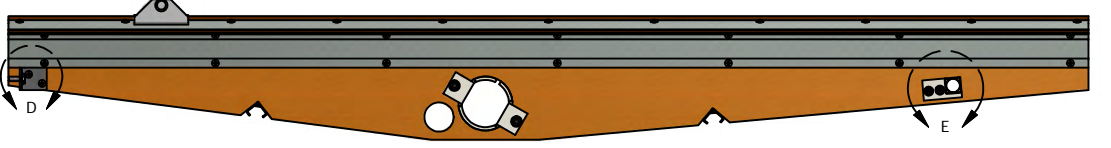
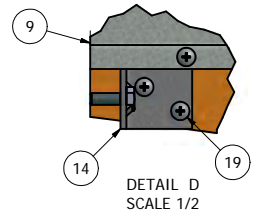
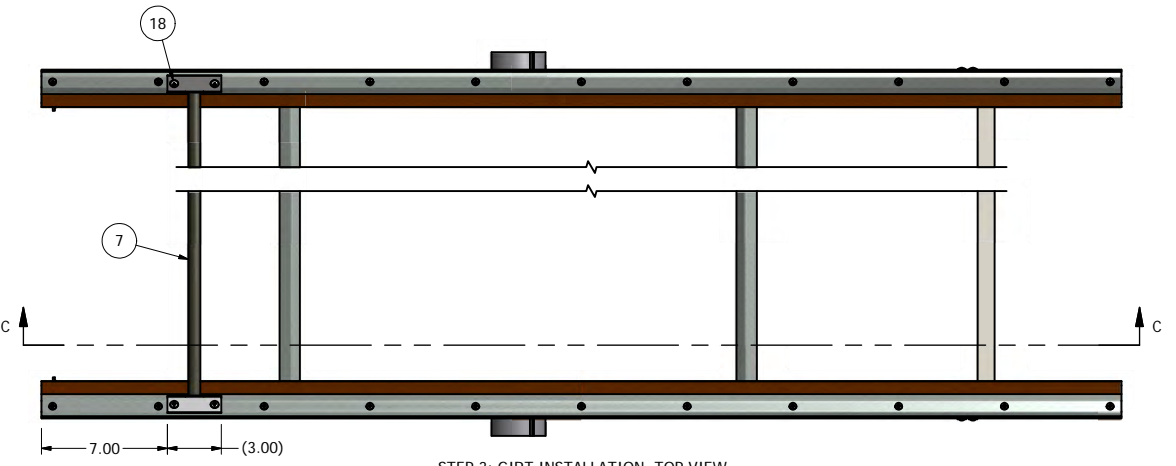
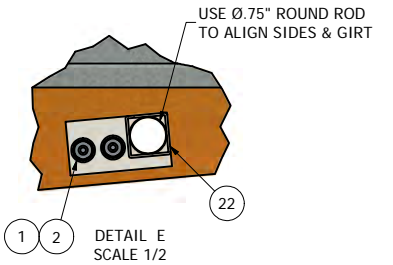
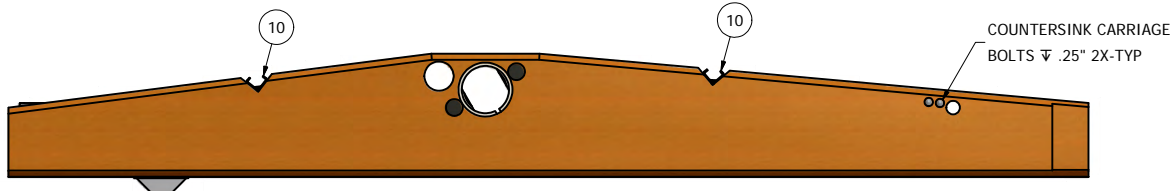
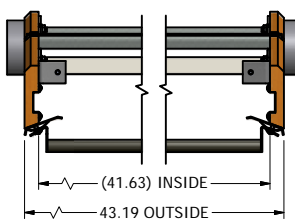
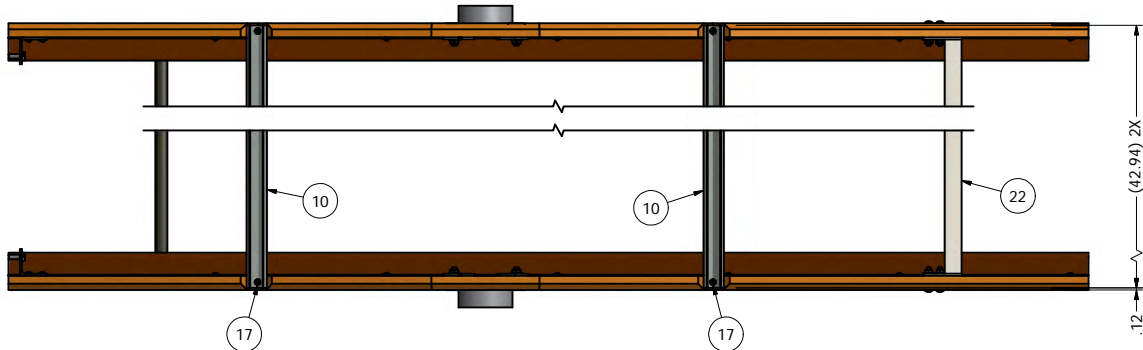
DETAIL A  
 SCALE 1/2

ITEM	PART NUMBER	QTY	DESCRIPTION
23	F91152006	10.333 ft	BELTING, 3 PLY FSXFS 2.50 X 62.00"
22	F90005301	1	GIRT WLDMT, ROCKER ADJUSTMENT, #9
21	F84212122	8	SMS, FLT X HD #8 X 3/4"
20	F83453403	4	SMS, PAN X HD, #10 X 3/4"
19	F83453402	56	SMS, PAN X HD, #8 X 3/4"
18	F83450102	4	SMS, PAN X HD, #10 X 1"
17	F83440301	4	SMS, FLAT CROSS HEAD #10 X 1.50"
16	F82021407	4	BOLT, ELEV 1/4-20 X 1.25"
15	F03806000	2	ANGLE, SCREEN STOP, ROCKER
14	F03803615	2	MOUNT WLDMT, GRAIN STOP, BTM ROCKER, SX29D/SX298D
13	F03803600	1	GRAIN STOP ASSY, BTM ROCKER, TOP SHOE, SX29D
12	F03801100	2	CAP, RUBBER HOLDING, ROCKER, 60.00"
11	F03800413	2	LINER, SCREENWAY, ROCKER, 60.00"
10	F03800001	2	BRACE, BOTTOM, ROCKER, #9
9	F03601403	1	SIDE, LH, BTM ROCKER, TOP SHOE, SX29D/SX298D
8	F03601401	1	SIDE, RH, BTM ROCKER, TOP SHOE, SX29D/SX298D
7	F03505805	1	GIRT WLDMT, PIPE, ROCKER #9
6	F03500800	2	SCREEN HOOK ASSY, STANDARD
5	F03500600	2	CUP WLDMT, ROCKER, HEAVY DUTY BRUSH
4	F03310008	1	GRAIN STOP ASSY, ROCKER, 2.50" X #9
3	66783300	6	NUT, HEX SERR LOCK 1/4-20
2	66782600	4	NUT, HEX SERR LOCK 10-24
1	60282626	4	BOLT, CARR 10-24 X 1.25"

NOTES:  
 1. DO NOT SCALE FROM DRAWING.  
 2. ONE PIECE REQUIRED PER F03013303: SHOE ASSY, TOP W/ROCKERS, SX29D.

	DIVISION OF A.T.FERRELL COMPANY 1440 S ADAMS ST BLUFFTON, INDIANA 46714 - USA PH: 260-824-3400 FAX: 260-824-5463	This drawing is the property of the A.T. Ferrell Company, Inc and must be returned immediately upon request. No part of this drawing may be reproduced, stored in a retrieval system or transmitted in any form or by any means, without prior written consent of the A.T. Ferrell Company, Inc.			
	DRAWN BY: dmjohnson	DRAWN DATE: 9/11/2012	APPROVED BY: DMJ		
TOLERANCES EXCEPT AS NOTED DECIMAL: XX ± .030 FRACTIONAL: ± 1/32 XXX ± .005 XXXX ± .001	FINISH: NONE	TITLE: ROCKER ASSY, BOTTOM, TOP SHOE, SX29D			
<b>CAD</b> NO MANUAL CHANGES	SCALE: 0.19:1	SHEET: 1 OF 3	SIZE: D	PART NUMBER: <b>F03502200</b>	REV: <b>C</b>

REV	ECN	DESCRIPTION	DATE	APPROVED
A	XXXXXX	RELEASE	5/7/1957	DR
B	F120091	REDRAWN CAD, WAS C SIZE GROUP DRAWING	9/13/2012	dmjohnson
C	F130052	ROTATE ROCKER CUPS 30 DEG	4/5/2013	dmjohnson



ITEM	PART NUMBER	QTY	DESCRIPTION
23	F91152006	10.333 ft	BELTING, 3 PLY FSXFS 2.50 X 62.00"
22	F90005301	1	GIRT WLDMT, ROCKER ADJUSTMENT, #9
21	F84212122	8	SMS, FLT X HD #8 X 3/4"
20	F83453403	4	SMS, PAN X HD, #10 X 3/4"
19	F83453402	56	SMS, PAN X HD, #8 X 3/4"
18	F83450102	4	SMS, PAN X HD, #10 X 1"
17	F83440301	4	SMS, FLAT CROSS HEAD #10 X 1.50"
16	F82021407	4	BOLT, ELEV 1/4-20 X 1.25"
15	F03806000	2	ANGLE, SCREEN STOP, ROCKER
14	F03803615	2	MOUNT WLDMT, GRAIN STOP, BTM ROCKER, SX29D/SX298D
13	F03803600	1	GRAIN STOP ASSY, BTM ROCKER, TOP SHOE, SX29D
12	F03801100	2	CAP, RUBBER HOLDING, ROCKER, 60.00"
11	F03800413	2	LINER, SCREENWAY, ROCKER, 60.00"
10	F03800001	2	BRACE, BOTTOM, ROCKER, #9
9	F03601403	1	SIDE, LH, BTM ROCKER, TOP SHOE, SX29D/SX298D
8	F03601401	1	SIDE, RH, BTM ROCKER, TOP SHOE, SX29D/SX298D
7	F03505805	1	GIRT WLDMT, PIPE, ROCKER #9
6	F03500800	2	SCREEN HOOK ASSY, STANDARD
5	F03500600	2	CUP WLDMT, ROCKER, HEAVY DUTY BRUSH
4	F03310008	1	GRAIN STOP ASSY, ROCKER, 2.50" X #9
3	66783300	6	NUT, HEX SERR LOCK 1/4-20
2	66782600	4	NUT, HEX SERR LOCK 10-24
1	60282626	4	BOLT, CARR 10-24 X 1.25"

**CLIPPER** SEPARATION TECHNOLOGIES SINCE 1988

**DIVISION OF A.T.FERRELL COMPANY**  
 1440 S ADAMS ST  
 BLUFFTON, INDIANA 46714 - USA  
 PH: 260-824-3400  
 FAX: 260-824-5463

This drawing is the property of the A.T. Ferrell Company, Inc and must be returned immediately upon request. No part of this drawing may be reproduced, stored in a retrieval system or transmitted in any form or by any means, without prior written consent of the A.T. Ferrell Company, Inc.

DRAWN BY: dmjohnson  
 DRAWN DATE: 9/11/2012  
 APPROVED BY: DMJ

TOLERANCES EXCEPT AS NOTED	TITLE
DECIMAL: XX ± .030	ROCKER ASSY, BOTTOM, TOP SHOE, SX29D
FRACTIONAL: XXX ± .005	FINISH: NONE
ANGULAR: XXXX ± .001	ANGULAR: ± 1/2°
FINISH: NONE	FINISH: NONE

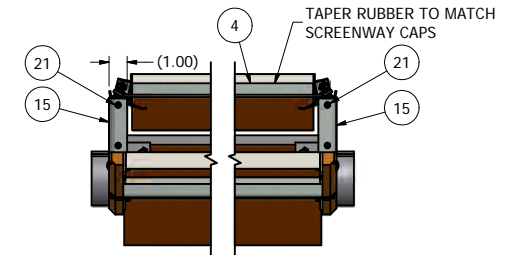
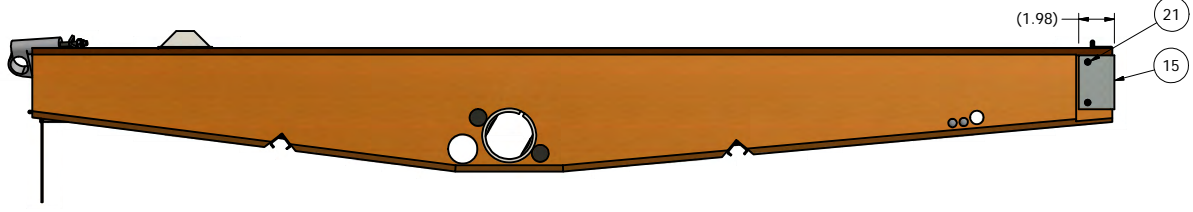
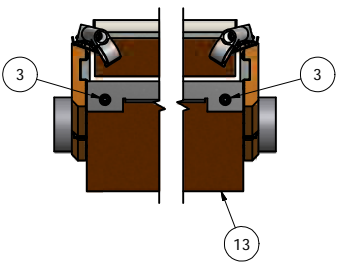
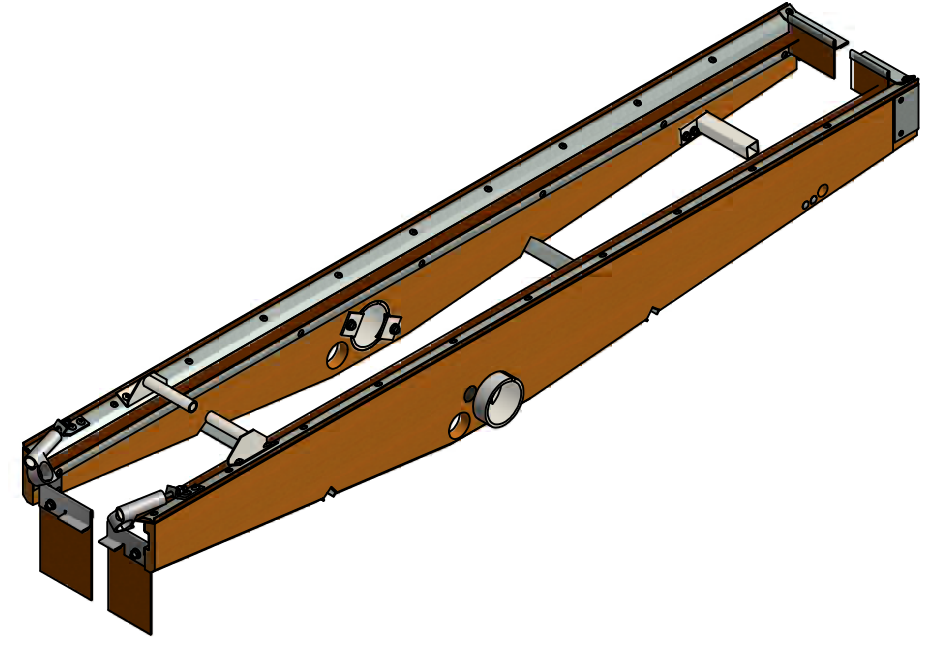
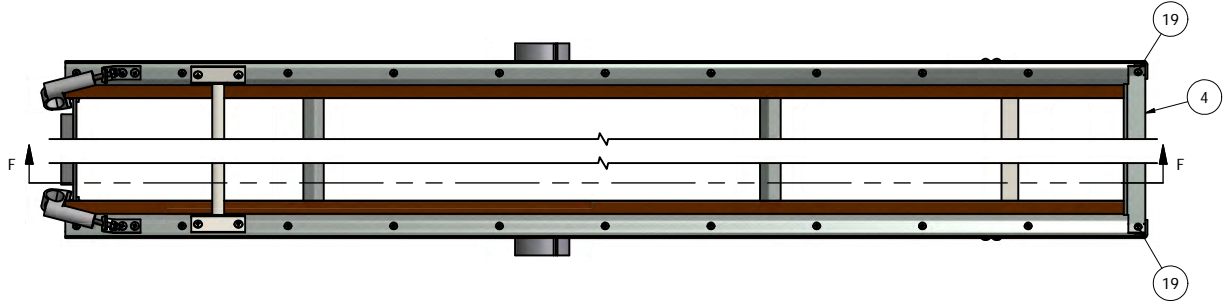
**CAD** NO MANUAL CHANGES

SCALE: 0.19:1 SHEET: 2 OF 3 SIZE: D PART NUMBER: **F03502200** REV: **C**

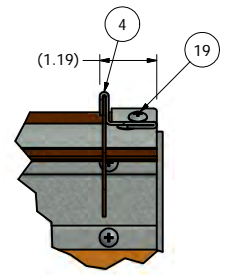
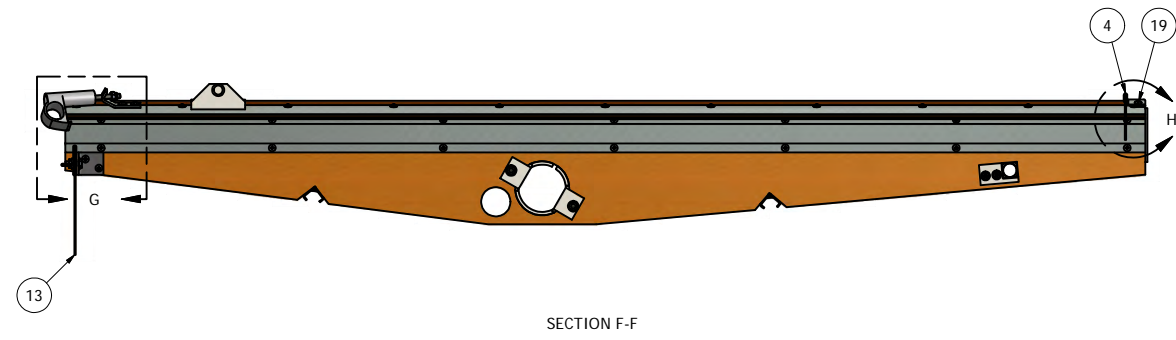
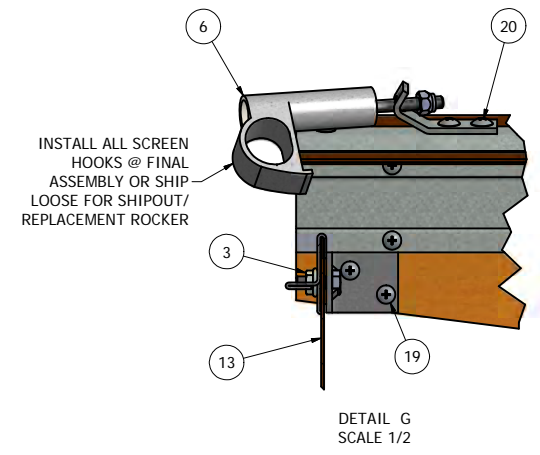
NOTES:  
 1. DO NOT SCALE FROM DRAWING.  
 2. ONE PIECE REQUIRED PER F03013303: SHOE ASSY, TOP W/ROCKERS, SX29D.

F03502200

REVISION HISTORY				
REV	ECN	DESCRIPTION	DATE	APPROVED
A	XXXXXX	RELEASE	5/7/1957	DR
B	F120091	REDRAWN CAD, WAS C SIZE GROUP DRAWING	9/13/2012	dmjohnson
C	F130052	ROTATE ROCKER CUPS 30 DEG	4/5/2013	dmjohnson



STEP 5: COMPLETE ASSEMBLY, RIGHT SIDE VIEW




DETAIL G  
SCALE 1/2

SECTION F-F

DETAIL H  
SCALE 1/2

ITEM	PART NUMBER	QTY	DESCRIPTION
23	F91152006	10.333 ft	BELTING, 3 PLY FSXFS 2.50 X 62.00"
22	F90005301	1	GIRT WLDMT, ROCKER ADJUSTMENT, #9
21	F84212122	8	SMS, FLT X HD #8 X 3/4"
20	F83453403	4	SMS, PAN X HD, #10 X 3/4"
19	F83453402	56	SMS, PAN X HD, #8 X 3/4"
18	F83450102	4	SMS, PAN X HD, #10 X 1"
17	F83440301	4	SMS, FLAT CROSS HEAD #10 X 1.50"
16	F82021407	4	BOLT, ELEV 1/4-20 X 1.25"
15	F03806000	2	ANGLE, SCREEN STOP, ROCKER
14	F03803615	2	MOUNT WLDMT, GRAIN STOP, BTM ROCKER, SX29D/SX298D
13	F03803600	1	GRAIN STOP ASSY, BTM ROCKER, TOP SHOE, SX29D
12	F03801100	2	CAP, RUBBER HOLDING, ROCKER, 60.00"
11	F03800413	2	LINER, SCREENWAY, ROCKER, 60.00"
10	F03800001	2	BRACE, BOTTOM, ROCKER, #9
9	F03601403	1	SIDE, LH, BTM ROCKER, TOP SHOE, SX29D/SX298D
8	F03601401	1	SIDE, RH, BTM ROCKER, TOP SHOE, SX29D/SX298D
7	F03505805	1	GIRT WLDMT, PIPE, ROCKER #9
6	F03500800	2	SCREEN HOOK ASSY, STANDARD
5	F03500600	2	CUP WLDMT, ROCKER, HEAVY DUTY BRUSH
4	F03310008	1	GRAIN STOP ASSY, ROCKER, 2.50" X #9
3	66783300	6	NUT, HEX SERR LOCK 1/4-20
2	66782600	4	NUT, HEX SERR LOCK 10-24
1	60282626	4	BOLT, CARR 10-24 X 1.25"

NOTES:  
 1. DO NOT SCALE FROM DRAWING.  
 2. ONE PIECE REQUIRED PER F03013303: SHOE ASSY, TOP W/ROCKERS, SX29D.



**CLIPPER**  
SEPARATION TECHNOLOGIES  
SINCE 1988

**DIVISION OF**  
 A.T.FERRELL COMPANY  
 1440 S ADAMS ST  
 BLUFFTON, INDIANA  
 46714 - USA  
 PH: 260-824-3400  
 FAX: 260-824-5463

This drawing is the property of the A.T. Ferrell Company, Inc and must be returned immediately upon request. No part of this drawing may be reproduced, stored in a retrieval system or transmitted in any form or by any means, without prior written consent of the A.T. Ferrell Company, Inc.

TOLERANCES EXCEPT AS NOTED	TITLE:
DECIMAL: XX ± .030	ROCKER ASSY, BOTTOM, TOP SHOE, SX29D
FRACTIONAL: XXX ± .005	
ANGULAR: XXXX ± .001	
FINISH: NONE	
SCALE: 0.19:1	SHEET: 3 OF 3
SIZE: D	PART NUMBER: F03502200
CAD NO MANUAL CHANGES	REV: C