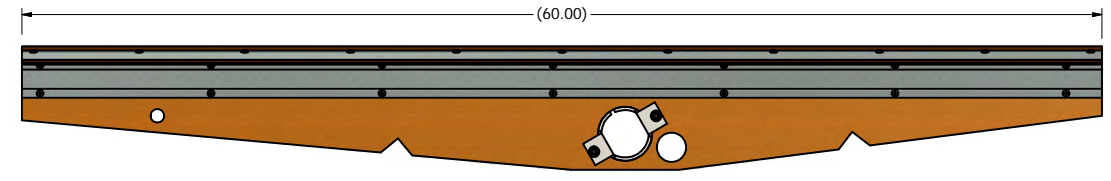
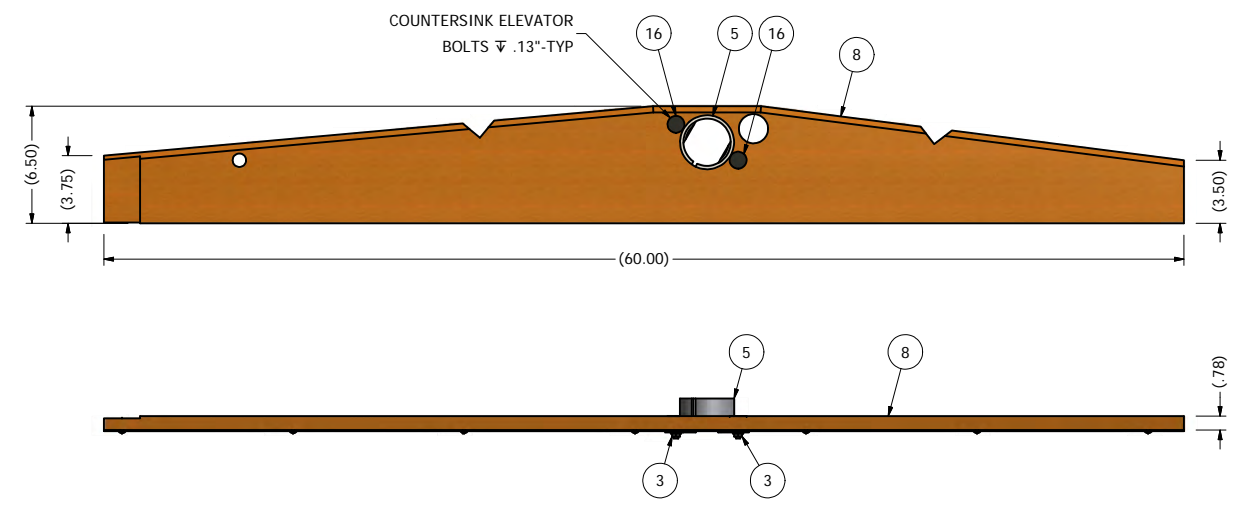


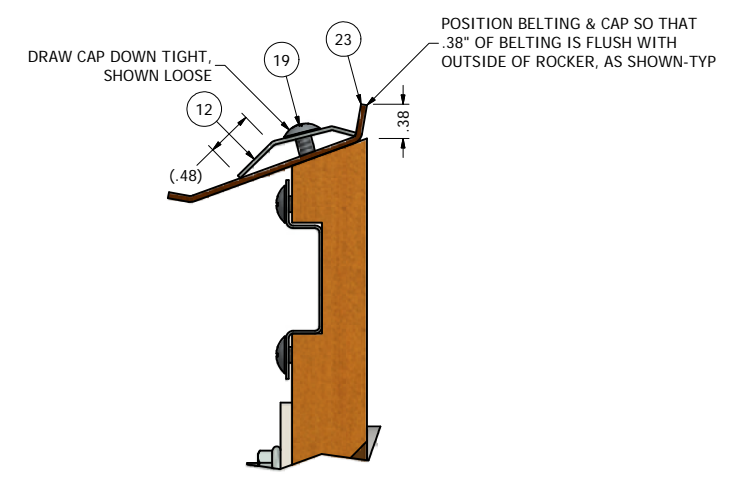
REVISION HISTORY				
REV	ECN	DESCRIPTION	DATE	APPROVED
A	XXXXXX	RELEASE	5/7/1957	DR
B	F120091	REDRAWN CAD, WAS C SIZE GROUP DRAWING	9/14/2012	dmjohnson
C	F130052	ROTATE ROCKER CUPS 30 DEG	4/5/2013	dmjohnson



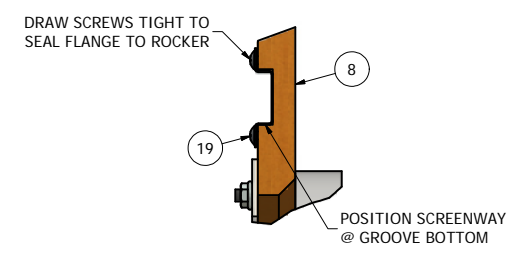
STEP 2: RIGHT ROCKER SIDE ASSEMBLY, LEFT SIDE VIEW
 TYPICAL ASSEMBLY FOR LEFT ROCKER SIDE



STEP 1: RIGHT ROCKER SIDE ASSEMBLY, LEFT SIDE VIEW
 TYPICAL ASSEMBLY FOR LEFT ROCKER SIDE



DETAIL B
 SCALE 1:1



DETAIL A
 SCALE 1/2

ITEM	PART NUMBER	QTY	DESCRIPTION
23	F91152006	10.333 ft	BELTING, 3 PLY FSXFS 2.50 X 62.00"
22	F90005300	1	GIRT WLDMT, ROCKER ADJUSTMENT, #8
21	F84212122	8	SMS, FLT X HD #8 X 3/4"
20	F83453403	4	SMS, PAN X HD, #10 X 3/4"
19	F83453402	56	SMS, PAN X HD, #8 X 3/4"
18	F83450102	4	SMS, PAN X HD, #10 X 1"
17	F83440301	4	SMS, FLAT CROSS HEAD #10 X 1.50"
16	F82021407	4	BOLT, ELEV 1/4-20 X 1.25"
15	F03806000	2	ANGLE, SCREEN STOP, ROCKER
14	F03803615	2	MOUNT WLDMT, GRAIN STOP, BTM ROCKER, SX29D/SX298D
13	F03803601	1	GRAIN STOP ASSY, BTM ROCKER, TOP SHOE, SX298D
12	F03801100	2	CAP, RUBBER HOLDING, ROCKER, 60.00"
11	F03800413	2	LINER, SCREENWAY, ROCKER, 60.00"
10	F03800002	2	BRACE, BOTTOM, ROCKER, #8
9	F03601403	1	SIDE, LH, BTM ROCKER, TOP SHOE, SX29D/SX298D
8	F03601401	1	SIDE, RH, BTM ROCKER, TOP SHOE, SX29D/SX298D
7	F03505800	1	GIRT WLDMT, PIPE, ROCKER #8
6	F03500800	2	SCREEN HOOK ASSY, STANDARD
5	F03500600	2	CUP WLDMT, ROCKER, HEAVY DUTY BRUSH
4	F03310009	1	GRAIN STOP ASSY, ROCKER, 2.50" X #8
3	66783300	6	NUT, HEX SERR LOCK 1/4-20
2	66782600	4	NUT, HEX SERR LOCK 10-24
1	60282626	4	BOLT, CARR 10-24 X 1.25"

CLIPPER SEPARATION TECHNOLOGIES SINCE 1988

DIVISION OF
 A.T.FERRELL COMPANY
 1440 S ADAMS ST
 BLUFFTON, INDIANA
 46714 - USA
 PH: 260-824-3400
 FAX: 260-824-5463

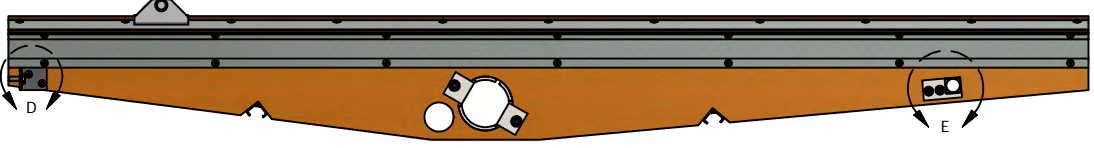
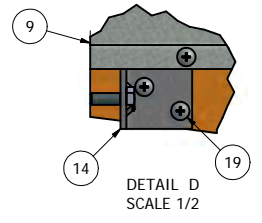
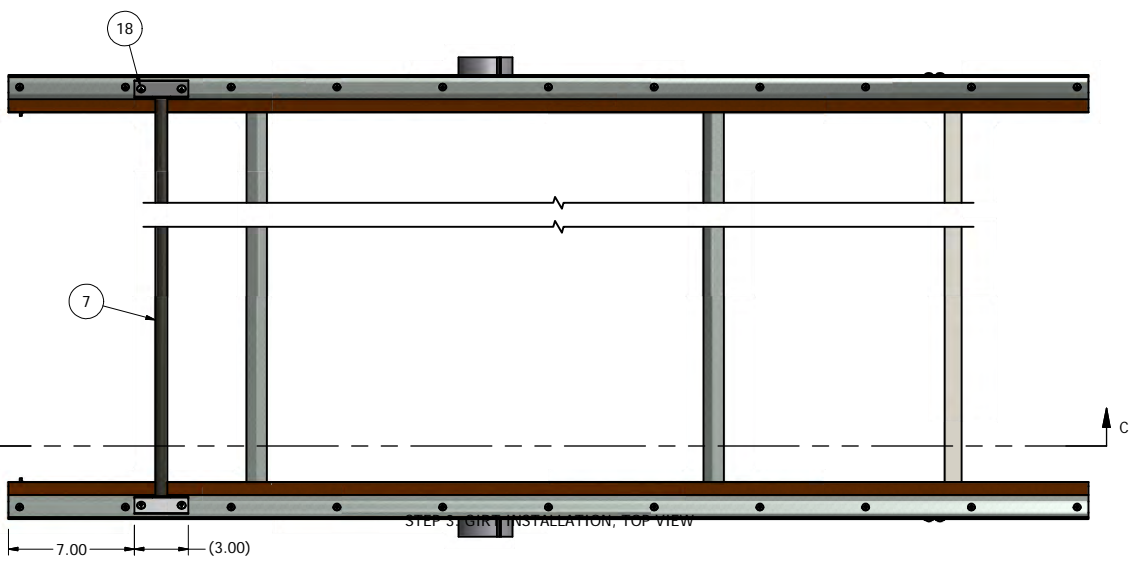
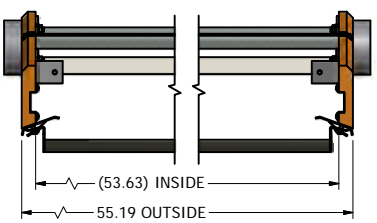
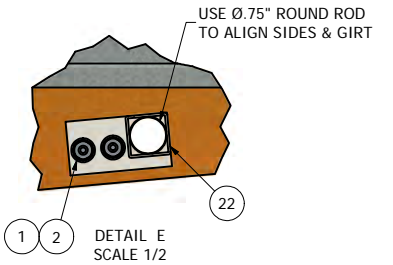
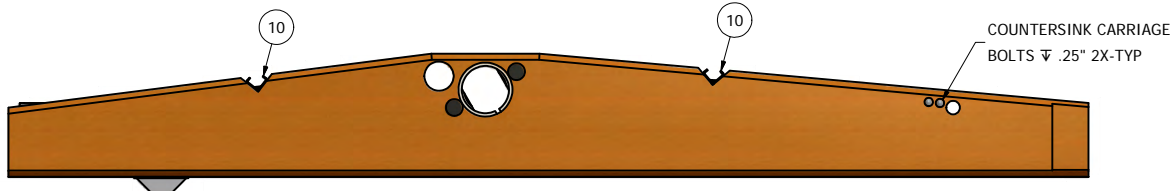
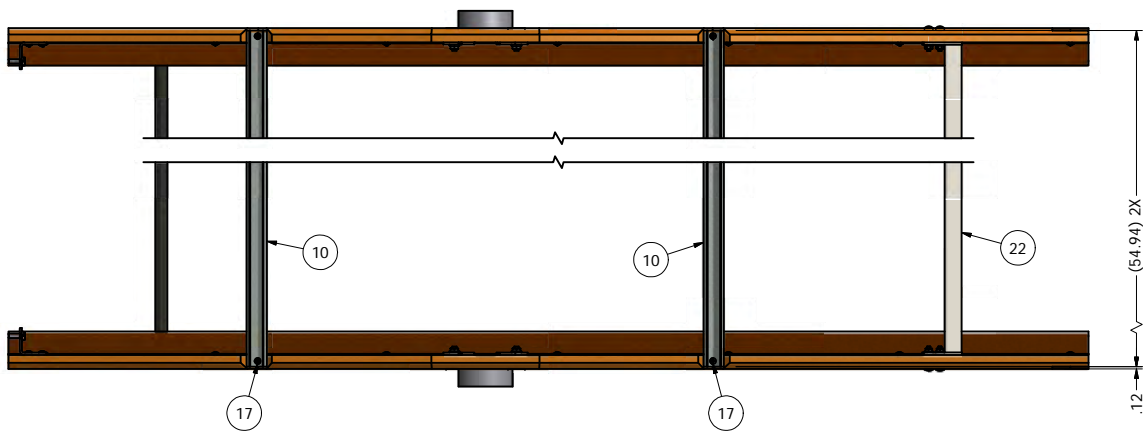
This drawing is the property of the A.T. Ferrell Company, Inc and must be returned immediately upon request. No part of this drawing may be reproduced, stored in a retrieval system or transmitted in any form or by any means, without prior written consent of the A.T. Ferrell Company, Inc.

DRAWN BY: dmjohnson
 DRAWN DATE: 9/14/2012
 APPROVED BY: DMJ

TOLERANCES EXCEPT AS NOTED		TITLE:	
DECIMAL:	FRACTIONAL:	ROCKER ASSY, BOTTOM, TOP SHOE, SX298D	
XX ± .030	± 1/32		
XXX ± .005	ANGULAR: ± 1/2°	FINISH:	
XXXX ± .001		NONE	
CAD	NO MANUAL CHANGES	SCALE: 0.19:1	SHEET: 1 OF 3
		SIZE: D	PART NUMBER: F03502210
			REV: C

NOTES:
 1. DO NOT SCALE FROM DRAWING.
 2. ONE PIECE REQUIRED PER F03013304: SHOE ASSY, TOP W/ROCKERS, SX298D.

REV	ECN	DESCRIPTION	DATE	APPROVED
A	XXXXXX	RELEASE	5/7/1957	DR
B	F120091	REDRAWN CAD, WAS C SIZE GROUP DRAWING	9/14/2012	dmjohnson
C	F130052	ROTATE ROCKER CUPS 30 DEG	4/5/2013	dmjohnson



ITEM	PART NUMBER	QTY	DESCRIPTION
23	F91152006	10.333 ft	BELTING, 3 PLY FSXFS 2.50 X 62.00"
22	F90005300	1	GIRT WLDMT, ROCKER ADJUSTMENT, #8
21	F84212122	8	SMS, FLT X HD #8 X 3/4"
20	F83453403	4	SMS, PAN X HD, #10 X 3/4"
19	F83453402	56	SMS, PAN X HD, #8 X 3/4"
18	F83450102	4	SMS, PAN X HD, #10 X 1"
17	F83440301	4	SMS, FLAT CROSS HEAD #10 X 1.50"
16	F82021407	4	BOLT, ELEV 1/4-20 X 1.25"
15	F03806000	2	ANGLE, SCREEN STOP, ROCKER
14	F03803615	2	MOUNT WLDMT, GRAIN STOP, BTM ROCKER, SX29D/SX298D
13	F03803601	1	GRAIN STOP ASSY, BTM ROCKER, TOP SHOE, SX298D
12	F03801100	2	CAP, RUBBER HOLDING, ROCKER, 60.00"
11	F03800413	2	LINER, SCREENWAY, ROCKER, 60.00"
10	F03800002	2	BRACE, BOTTOM, ROCKER, #8
9	F03601403	1	SIDE, LH, BTM ROCKER, TOP SHOE, SX29D/SX298D
8	F03601401	1	SIDE, RH, BTM ROCKER, TOP SHOE, SX29D/SX298D
7	F03505800	1	GIRT WLDMT, PIPE, ROCKER #8
6	F03500800	2	SCREEN HOOK ASSY, STANDARD
5	F03500600	2	CUP WLDMT, ROCKER, HEAVY DUTY BRUSH
4	F03310009	1	GRAIN STOP ASSY, ROCKER, 2.50" X #8
3	66783300	6	NUT, HEX SERR LOCK 1/4-20
2	66782600	4	NUT, HEX SERR LOCK 10-24
1	60282626	4	BOLT, CARR 10-24 X 1.25"

CLIPPER SEPARATION TECHNOLOGIES SINCE 1988

DIVISION OF A.T.FERRELL COMPANY
 1440 S ADAMS ST
 BLUFFTON, INDIANA 46714 - USA
 PH: 260-824-3400
 FAX: 260-824-5463

This drawing is the property of the A.T. Ferrell Company, Inc and must be returned immediately upon request. No part of this drawing may be reproduced, stored in a retrieval system or transmitted in any form or by any means, without prior written consent of the A.T. Ferrell Company, Inc.

DRAWN BY: dmjohnson
 DRAWN DATE: 9/14/2012
 APPROVED BY: DMJ

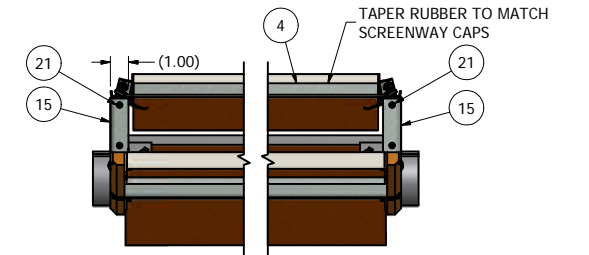
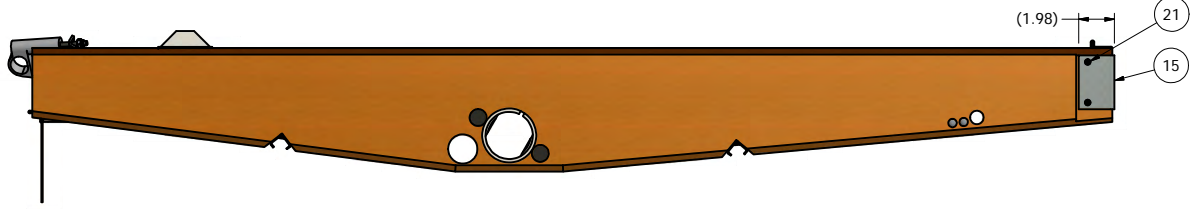
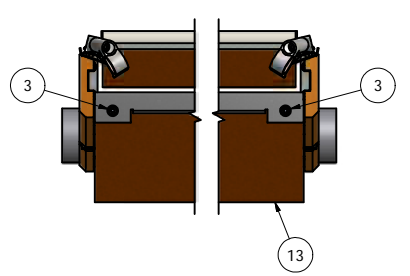
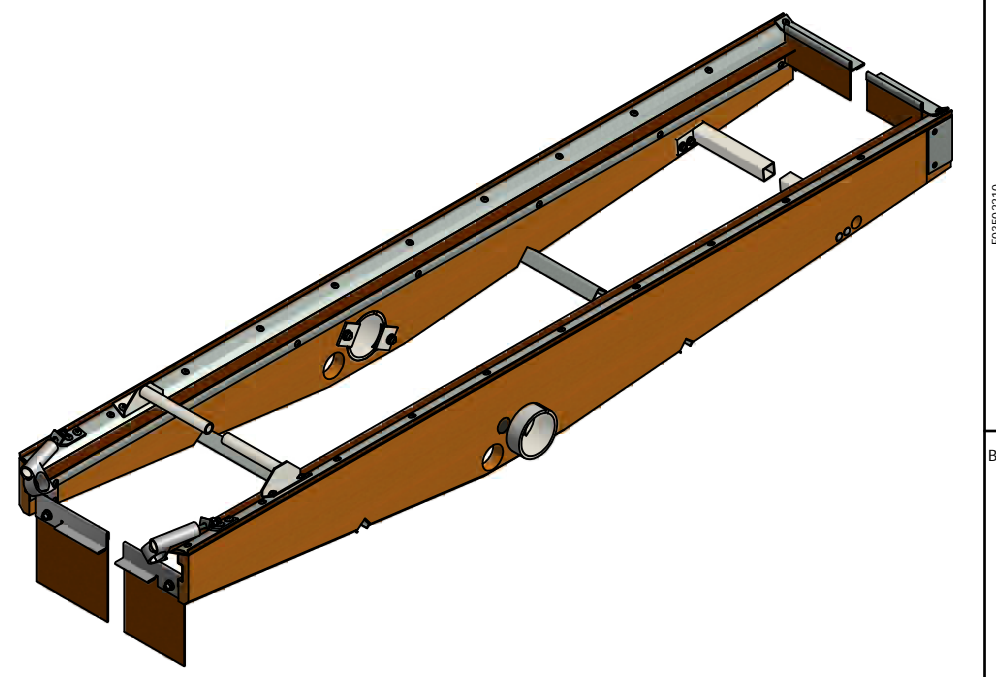
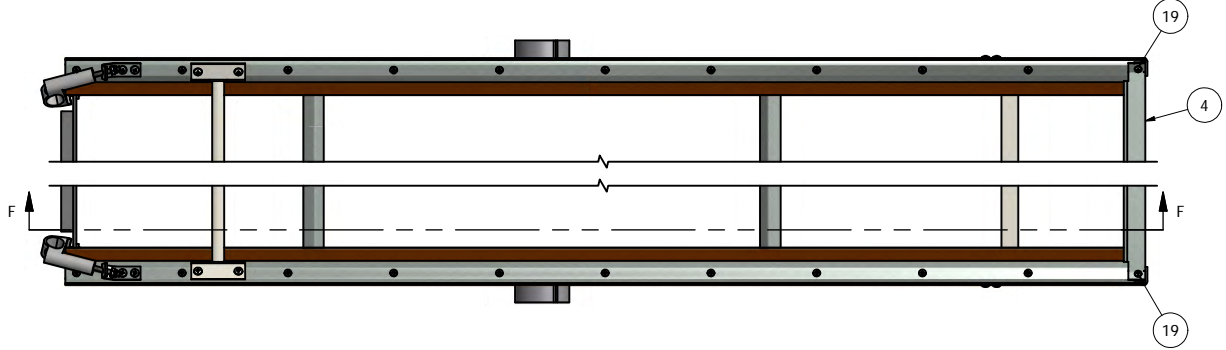
TOLERANCES EXCEPT AS NOTED	FINISH:	TITLE:
DECIMAL: XX ± .030	FRACTIONAL: ± 1/32	ROCKER ASSY, BOTTOM, TOP SHOE, SX298D
XXX ± .005	ANGULAR: ± 1/2°	FINISH: NONE
XXXX ± .001		

CAD NO MANUAL CHANGES

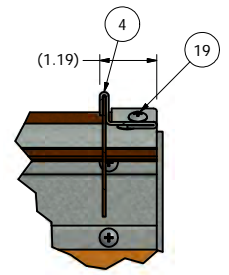
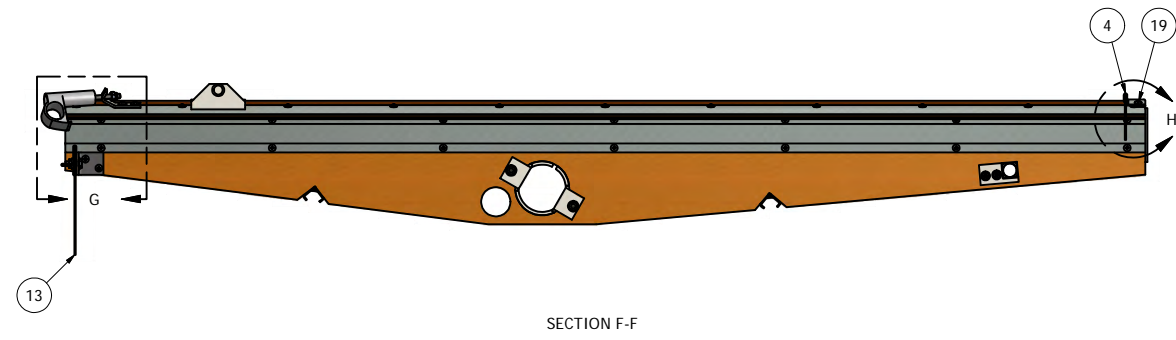
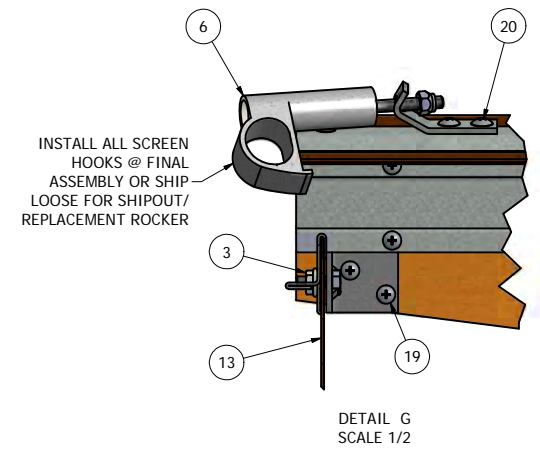
SCALE: 0.19:1 SHEET: 2 OF 3 SIZE: D PART NUMBER: **F03502210** REV: **C**

NOTES:
 1. DO NOT SCALE FROM DRAWING.
 2. ONE PIECE REQUIRED PER F03013304: SHOE ASSY, TOP W/ROCKERS, SX298D.

REV	ECN	REVISION HISTORY	DATE	APPROVED
A	XXXXXX	RELEASE	5/7/1957	DR
B	F120091	REDRAWN CAD, WAS C SIZE GROUP DRAWING	9/14/2012	dmjohnson
C	F130052	ROTATE ROCKER CUPS 30 DEG	4/5/2013	dmjohnson



STEP 5: COMPLETE ASSEMBLY, RIGHT SIDE VIEW



DETAIL G
SCALE 1/2

SECTION F-F

DETAIL H
SCALE 1/2

ITEM	PART NUMBER	QTY	DESCRIPTION
23	F91152006	10.333 ft	BELTING, 3 PLY FSXFS 2.50 X 62.00"
22	F90005300	1	GIRT WLDMT, ROCKER ADJUSTMENT, #8
21	F84212122	8	SMS, FLT X HD #8 X 3/4"
20	F83453403	4	SMS, PAN X HD, #10 X 3/4"
19	F83453402	56	SMS, PAN X HD, #8 X 3/4"
18	F83450102	4	SMS, PAN X HD, #10 X 1"
17	F83440301	4	SMS, FLAT CROSS HEAD #10 X 1.50"
16	F82021407	4	BOLT, ELEV 1/4-20 X 1.25"
15	F03806000	2	ANGLE, SCREEN STOP, ROCKER
14	F03803615	2	MOUNT WLDMT, GRAIN STOP, BTM ROCKER, SX29D/SX298D
13	F03803601	1	GRAIN STOP ASSY, BTM ROCKER, TOP SHOE, SX298D
12	F03801100	2	CAP, RUBBER HOLDING, ROCKER, 60.00"
11	F03800413	2	LINER, SCREENWAY, ROCKER, 60.00"
10	F03800002	2	BRACE, BOTTOM, ROCKER, #8
9	F03601403	1	SIDE, LH, BTM ROCKER, TOP SHOE, SX29D/SX298D
8	F03601401	1	SIDE, RH, BTM ROCKER, TOP SHOE, SX29D/SX298D
7	F03505800	1	GIRT WLDMT, PIPE, ROCKER #8
6	F03500800	2	SCREEN HOOK ASSY, STANDARD
5	F03500600	2	CUP WLDMT, ROCKER, HEAVY DUTY BRUSH
4	F03310009	1	GRAIN STOP ASSY, ROCKER, 2.50" X #8
3	66783300	6	NUT, HEX SERR LOCK 1/4-20
2	66782600	4	NUT, HEX SERR LOCK 10-24
1	60282626	4	BOLT, CARR 10-24 X 1.25"

CLIPPER SEPARATION TECHNOLOGIES SINCE 1988

DIVISION OF
 A.T.FERRELL COMPANY
 1440 S ADAMS ST
 BLUFFTON, INDIANA
 46714 - USA
 PH: 260-824-3400
 FAX: 260-824-5463

This drawing is the property of the A.T. Ferrell Company, Inc and must be returned immediately upon request. No part of this drawing may be reproduced, stored in a retrieval system or transmitted in any form or by any means, without prior written consent of the A.T. Ferrell Company, Inc.

DRAWN BY: dmjohnson
 DRAWN DATE: 9/14/2012
 APPROVED BY: DMJ

TOLERANCES EXCEPT AS NOTED	FINISH:	TITLE:
DECIMAL: XX ± .030	FRACTIONAL: ± 1/32	ROCKER ASSY, BOTTOM, TOP SHOE, SX298D
XXX ± .005	ANGULAR: ± 1/2°	
XXXX ± .001	NONE	

NOTES:
 1. DO NOT SCALE FROM DRAWING.
 2. ONE PIECE REQUIRED PER F03013304: SHOE ASSY, TOP W/ROCKERS, SX298D.