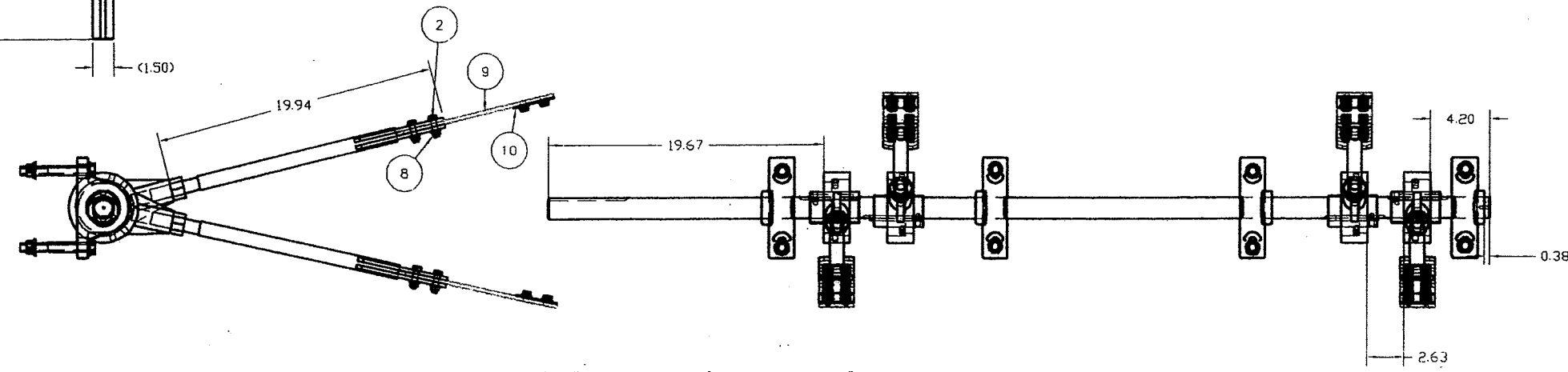


NOTES:
 1: DO NOT SCALE FROM DRAWING.
 2: RIGHT HAND DISCHARGE SHOWN, ASSEMBLE SYMMETRICALLY OPPOSITE FOR LEFT HAND.
 3: ONE PIECE REQUIRED PER F61000110: CLEANER ASSY, RH, CONQUEST 486.
 4: ONE PIECE REQUIRED PER F61000111: CLEANER ASSY, LH, CONQUEST 486.
 5: ONE PIECE REQUIRED PER F61000112: CLEANER ASSY, RH/RH, CONQUEST 486.
 6: ONE PIECE REQUIRED PER F61000113: CLEANER ASSY, LH/LH, CONQUEST 486.
 7: ONE PIECE REQUIRED PER F61400110: CLEANER ASSY, RH W/BRUSHES, CONQUEST 486.
 8: ONE PIECE REQUIRED PER F61400111: CLEANER ASSY, LH W/BRUSHES, CONQUEST 486.
 9: ONE PIECE REQUIRED PER F61400112: CLEANER ASSY, RH/RH W/BRUSHES, CONQUEST 486.
 10: ONE PIECE REQUIRED PER F61400113: CLEANER ASSY, LH/LH W/BRUSHES, CONQUEST 486.
 11: FILE: F61000029RH



Item	PART NUMBER	Qty	PART DESCRIPTION
15	F92401080	4	BEARING, PB 1.50" VAK
14	F92053445	2	ECC ASSY, 1/2" THROW, 1.50" BORE
13	F92053445	2	ECC ASSY, 1/2" THROW, 1.50" BORE
12	F90006027	4	PITMAN ARM WLDMT, NG
11	F61000015	1	ECCENTRIC SHAFT 1.50", CNQST
10	F11303666	4	BK PLT, PITMAN CONNECTOR, ECCENTRIC
9	F11303662	4	PITMAN CONNECTOR, ECCENTRIC
8	66784400	32	NUT, HEX LOCK SERR FLNG, 3/8-16
7	66445200	8	WASHER, LOCK 1/2" PLT
6	66405200	16	WASHER, FLAT 1/2" PLT
5	66087400	4	NUT, HEX 1-8 PLT
4	66085200	8	NUT, HEX 1/2-13 PLT
3	62585255	8	HHCS, 1/2-13 X 5.00"
2	62584426	16	HHCS, 3/8-16 X 1.25"
1	49000848	4	KEY, 3/8 X 3/8 X 3.00"

CAD
 NO MANUAL CHANGES
 TOLERANCES (EXCEPT AS NOTED)

DECIMAL: .0005 ± .0005
 FRACTIONAL: ± 1/32

ANGULAR: ± 1/2

SCALE: 3/16
 DRAWN BY: C.M.A.
 APPROVED BY: [Signature]

DRAWING TITLE: ECCENTRIC ASSY, CONQUEST 486
 DATE: 10/10/01
 SIZE: D
 DRAWING NO.: F61000029
 SHEET: 1 of 1

REV	DATE	DESCRIPTION OF CHANGE
B	10/10/01	REVISION ON MECHANICAL 4.0
A	9/27/00	REVISION WAS 16 PLCS, REVISIONS WAS F6100110, F6100111, F6100112, F6100113, F61400110, F61400111, F61400112, F61400113
-	1/00	RELEASE