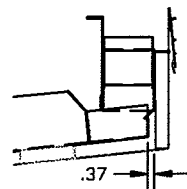
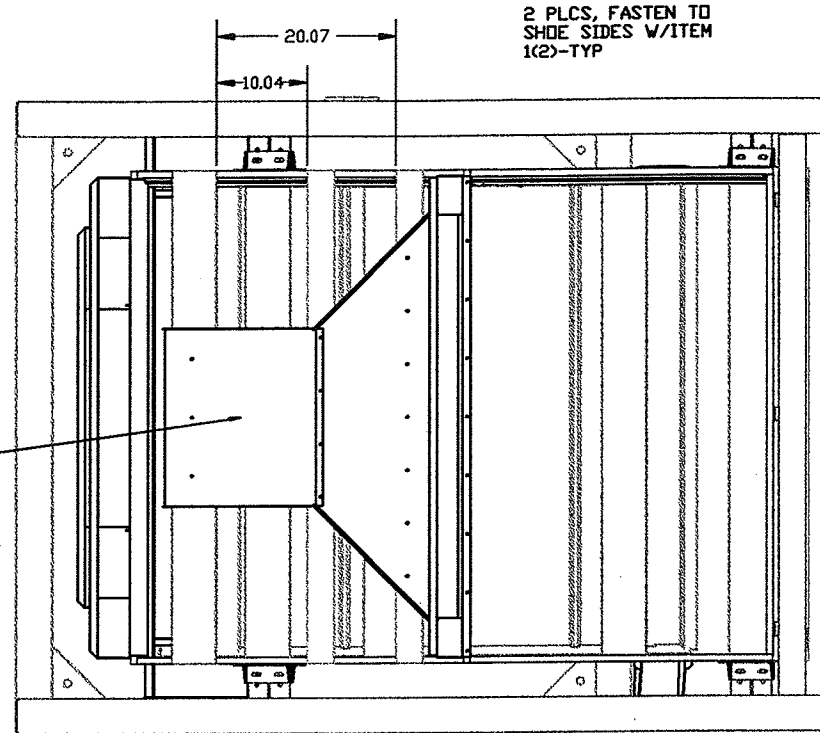


BOTTOM SHOE, DOOR CUTOUT DETAIL  
1/8 SCALE



VIEW A

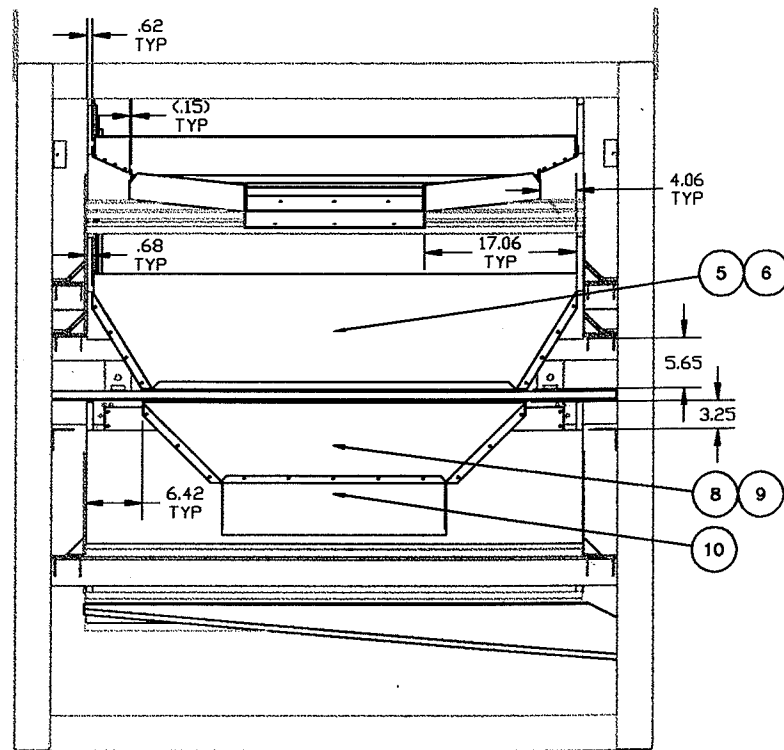
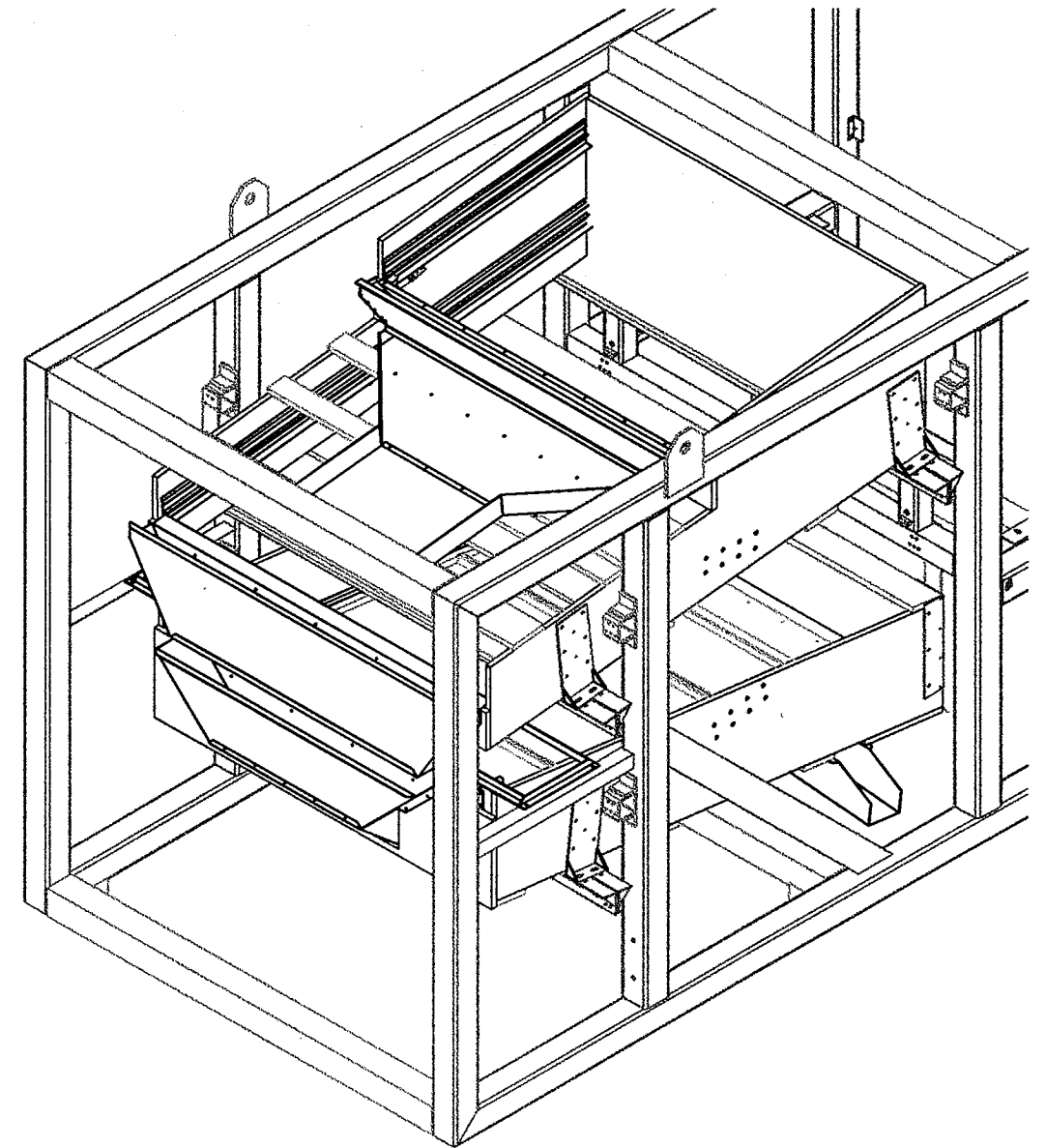


2 PLCS, FASTEN TO  
SHOE SIDES W/ITEM  
1(2)-TYP

4  
FASTEN TO CROSS  
BOARD W/ITEM 12(3)  
ITEM 3 OVER ITEM 4

FASTEN TO CROSS  
BOARDS W/ITEM 12(1)  
OVER ITEM 4

FASTEN TO UPPER  
DOOR W/ITEM 12(13)



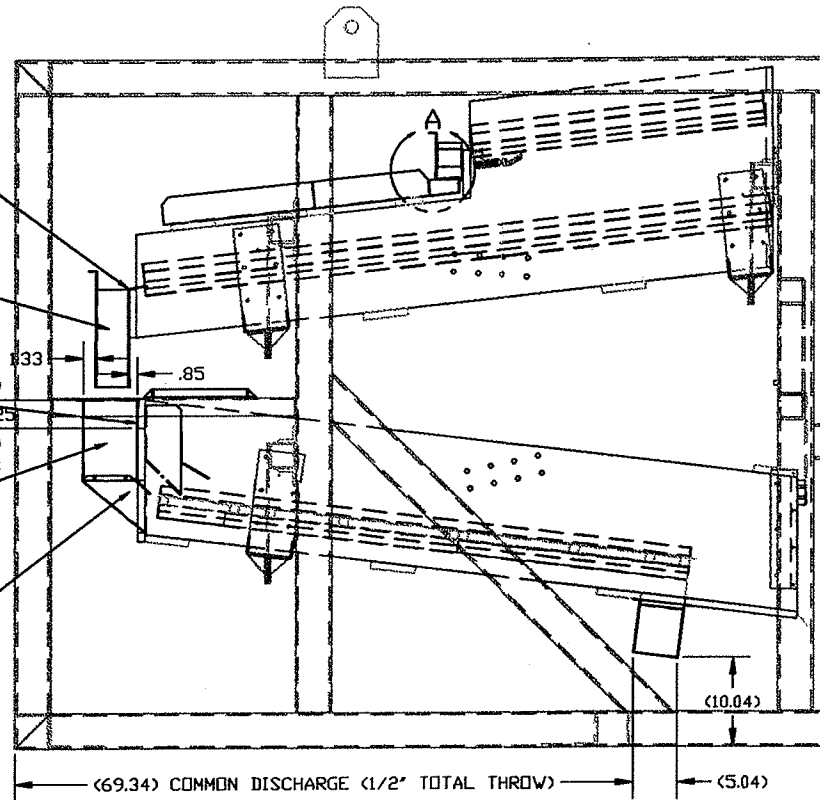
6  
FASTEN TO  
DOOR W/ITEM  
12(7), THEN  
ATTACH ITEM 5

5  
FASTEN TO ITEM 6  
W/ITEMS 11(4) &  
12(4)

9  
FASTEN TO DOOR  
W/ITEM 12(7),  
THEN ATTACH ITEM 8

8  
FASTEN TO ITEM 9  
W/ITEMS 11(2) &  
12(4)

10  
FASTEN OVER ITEM  
8 W/ITEM 11(9)



This drawing is the property of Bluffton Agri/Industrial Corp. and must be returned immediately upon request. No part of this drawing may be reproduced, stored in a retrieval system or transmitted in any form or by any means, without the prior written consent of Bluffton Agri/Industrial Corp.

Item	PART NUMBER	Qty	DESCRIPTION
12	F83453402	53	SCW, #8 X 3/4" PAN HD SMS
11	F83200011	13	RIVET-POP SDS64 .188X.125-.250"
10	F61001020	1	SPOUT, CATCHALL, BTM SHOE, COMM DISCH PKG 1360
9	F61001019	1	BACK, CATCHALL, BTM SHOE, COMM DISCH PKG 1360
8	F61001018	1	CVR, CATCHALL, BTM SHOE, COMM DISCH PKG 1360
7	F61001015	1	CATCHALL ASSY, COMM DISCH PKG 1360
6	F61001014	1	BACK, CATCHALL, TOP SHOE, COMM DISCH PKG 1360
5	F61001013	1	CVR, CATCHALL, TOP SHOE, COMM DISCH PKG 1360
4	F61001012	1	SLIDE, FRONT, COMM DISCH PKG 1360
3	F61001011	1	SLIDE, TRANS, COMM DISCH PKG 1360
2	F03108904	2	BOARD, TOP 3" 2248D
1	70010521	8	SCW, DECK #6 X 2.00" PHP HD PLT

CAD NO MANUAL CHANGES  
TOLERANCES (EXCEPT AS NOTED)  
DECIMAL: .001 ± .002  
FRACTIONAL: ± 1/32  
ANGULAR: ± 1/2°

SCALE: 3/32  
DRAWN BY: DJ  
APPROVED BY: X.X.X.

COMMON DISCHARGE PACKAGE, 1360

DATE: 8/6/99  
SIZE: D  
DRAWING NO.: F61001010  
SHEET: 1 of 1

NOTES:  
1: DO NOT SCALE FROM DRAWING.  
2: PACKAGE IS A LINE ITEM ON THE SALES ORDER.

REV	DATE	DESCRIPTION
1	8/6/99	ISSUE FOR PRODUCTION