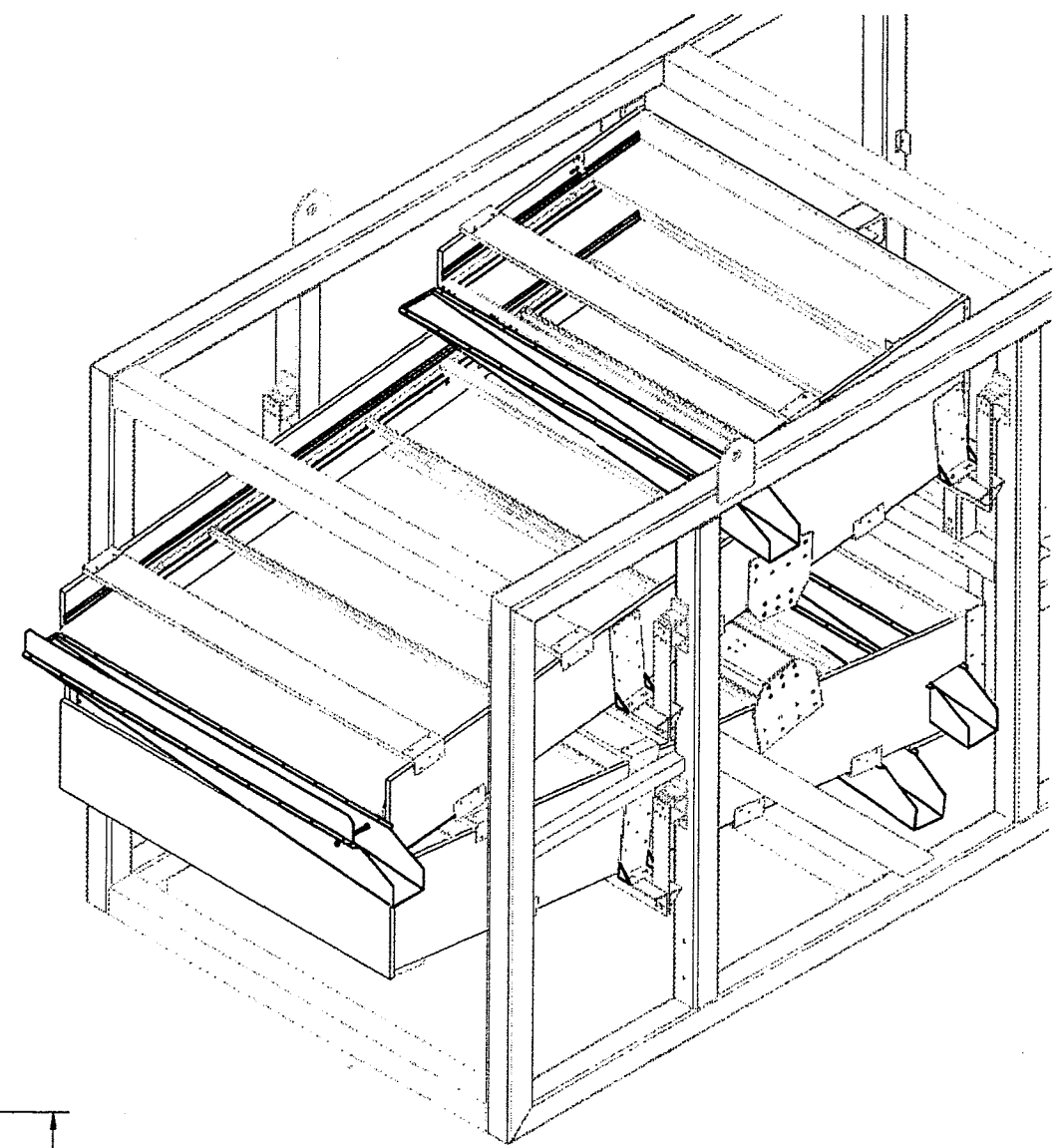
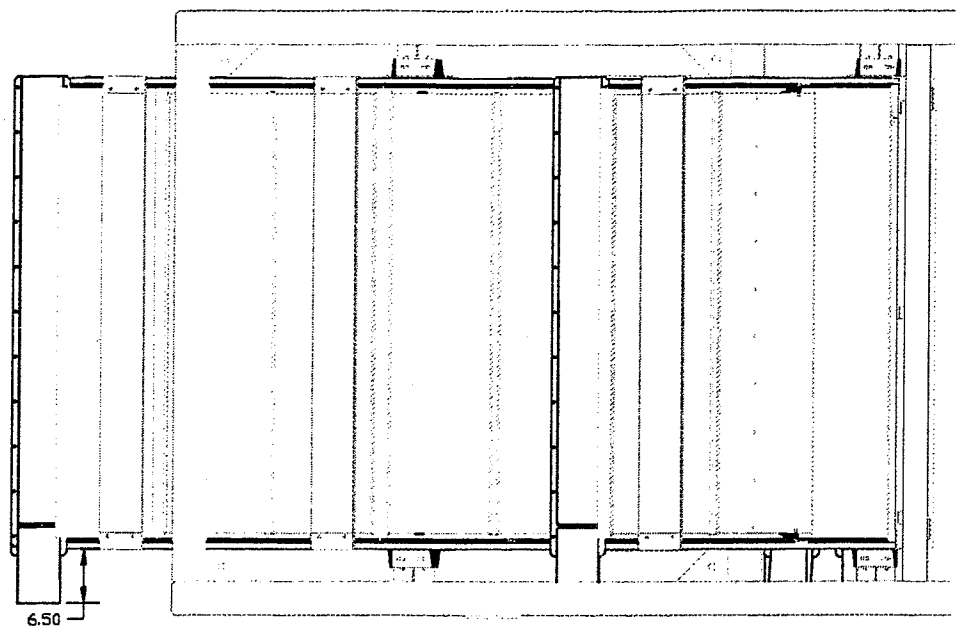
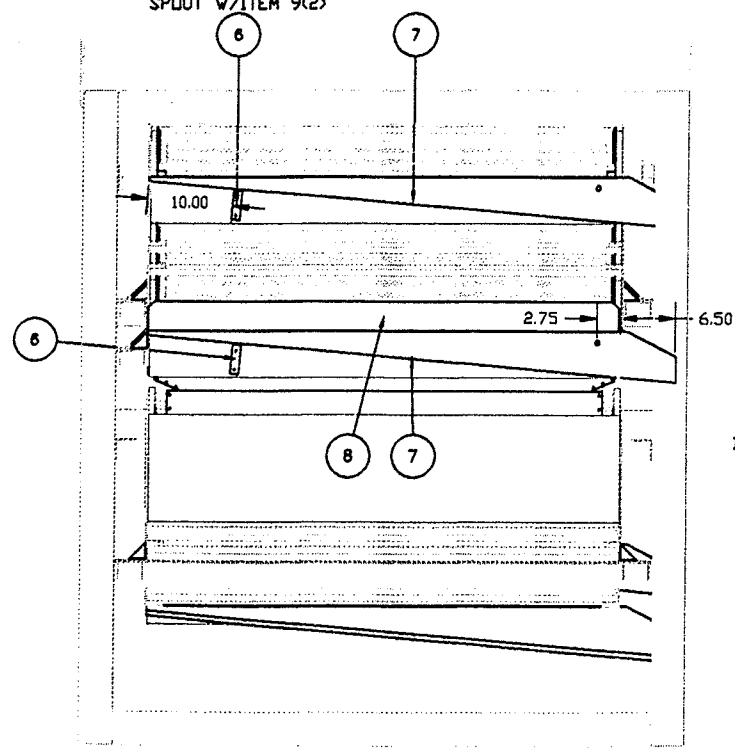


VIEW A



2 PLCS, FASTEN TO DOOR
W/ITEM 10(2), DRILL TWO
.219" HOLES & FASTEN TO
SPOUT W/ITEM 9(2)

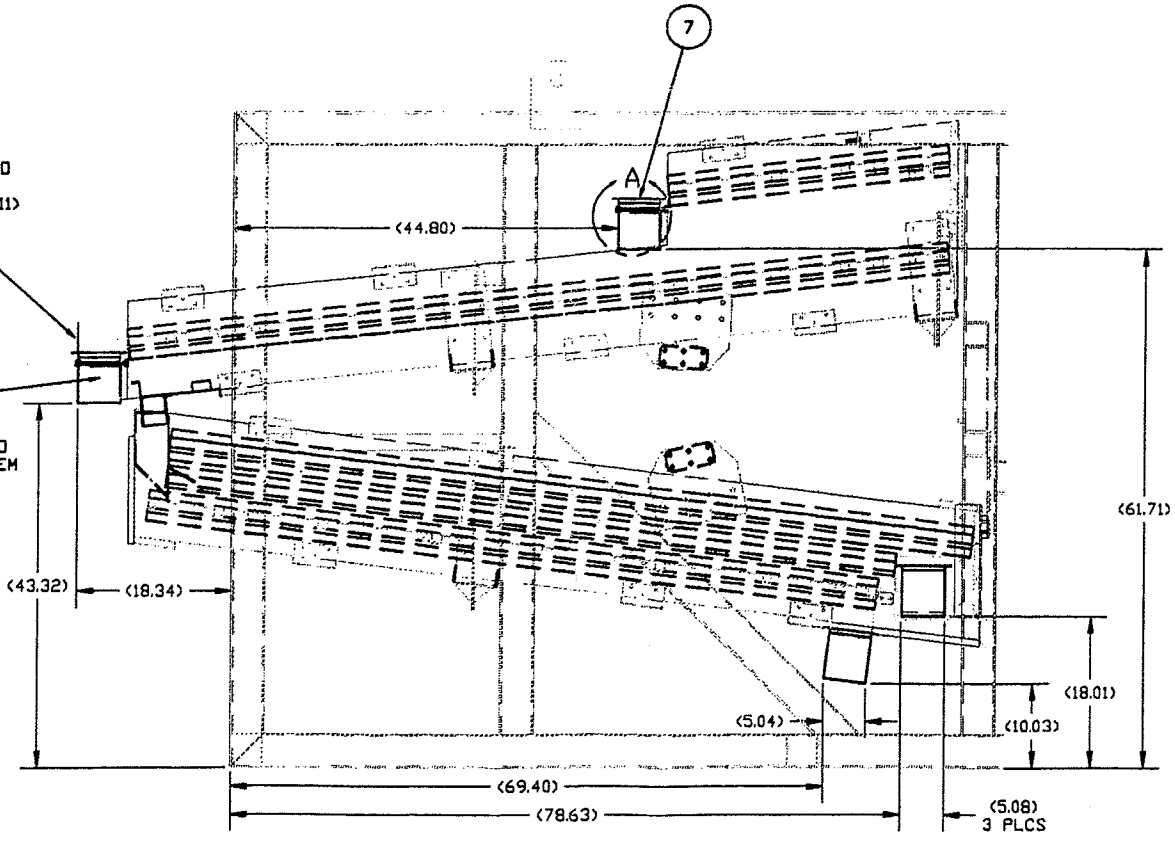


FASTEN TO
SPOUT
W/ITEM 9(11)

8

7

2 PLCS,
FASTEN TO
DOOR W/ITEM
10(11)



This drawing is the property of Bluffton Agri/Industrial Corp. and must be returned immediately upon request. No part of this drawing may be reproduced, stored in a retrieval system or transmitted in any form or by any means, without the prior written consent of Bluffton Agri/Industrial Corp.

7A F61001249
7 F61001258

Item	PART NUMBER	Qty	DESCRIPTION
10	F83453402	26	SCW, #8 X 3/4" PAN HD SMS
9	F83200011	15	RIVET-POP SDS64 .188X.125-.250"
8	F61001214	1	DEFLECTOR, SPOUT 1360/1386
7	F61001207	2	SPOUT, DISCHARGE 1360/1386
6	F61001008	2	SUPPORT, DISCHARGE SPOUT 1360/1386
5	66443800	4	WASHER, LOCK 5/16" PLT
4	66403800	2	WASHER, FLAT 5/16" PLT
3	66383800	2	T-NUT, 5/16-18
2	66083800	4	NUT, HEX 5/16-18 PLT
1	60143860	2	BOLT, TAP HX HD 5/16-18 x 6.00"

NOTES:
1: DO NOT SCALE FROM DRAWING.
2: PACKAGE IS A LINE ITEM ON THE SALES ORDER.

CAD
NO MANUAL
CHANGES

TOLERANCES
(EXCEPT AS
NOTED)

DETAILS
NONE

FRACTIONALS
1/32

ANGULAR
1/2"

A DIVISION OF BLUFFTON AGRI CORP. SINCE 1988 BLUFFTON, OHIO, U.S.A.

SCALE: 3/32 DRAWN BY: DJ APPROVED BY: X.X.X.

DRAWING TITLE: SPLIT DISCHARGE PACKAGE, 1386

DATE: 1/14/00 SIZE: D DRAWING NO.: F61001038 SHEET: 1 of 1