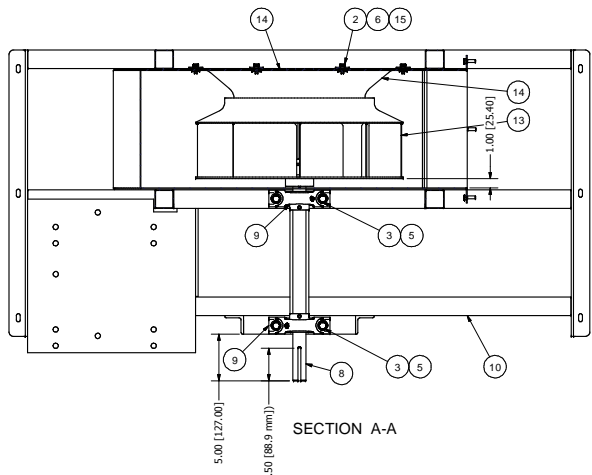
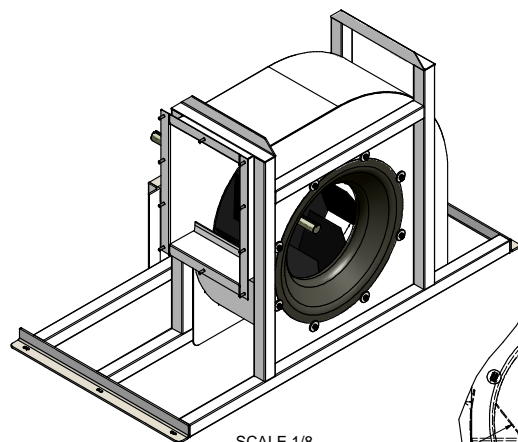


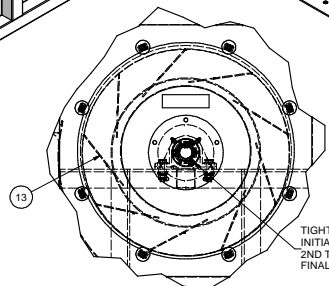
REVISION HISTORY			
REV	ECN	DESCRIPTION	DATE APPROVED
A	F980038	ELIM F90006290, 8 WAS 16, RELEASE F11305478	7/20/1998 dmjohjnsn
B	F060089	REDRAWN INVENTOR	8/26/2006 dmjohjnsn
C	F070098	TITLE WAS FAN HOUSING, LH, CONQUEST, ADD F61002011	10/29/2007 dmjohjnsn
D	F080116	F80017533 WAS F80017532	6/27/2008 dmjohjnsn



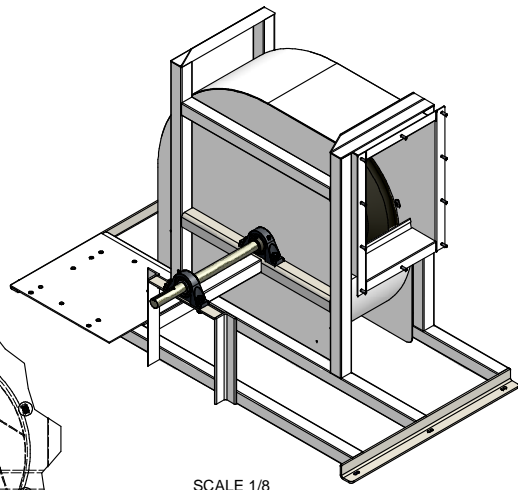
SECTION A-A



SCALE 1/8

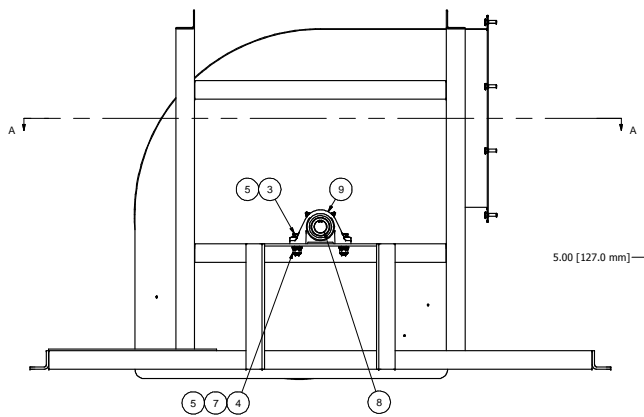


DETAIL B

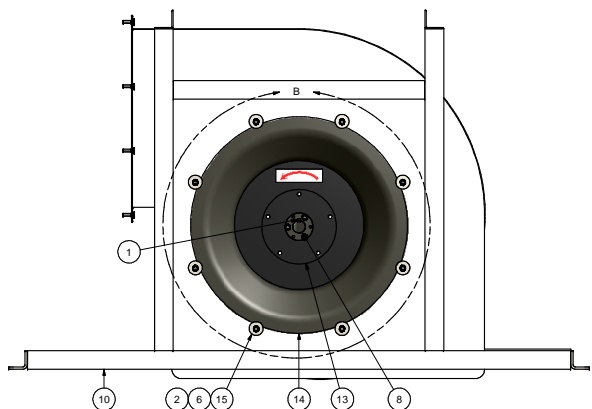
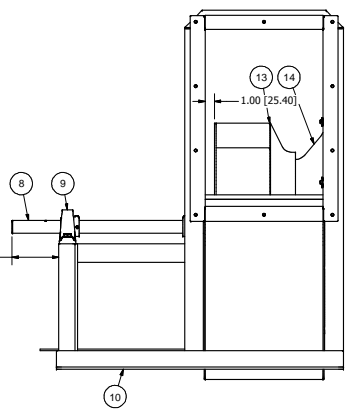


SCALE 1/8

TIGHTEN FAN HUB BOLTS PROGRESSIVELY:
 INITIAL TIGHTENING TORQUE: 84 LB-IN, 7 LB-FT [9.5 N-m]
 2ND TIGHTENING TORQUE: 132 LB-IN, 11 LB-FT [14.9 N-m]
 FINAL TIGHTENING TORQUE: 192 LB-IN, 16 LB-FT [21.7 N-m]



FRONT VIEW-CONE & SHAFT ASSEMBLY



- NOTES:
1. DO NOT SCALE FROM DRAWING.
 2. ONE PIECE REQUIRED PER CLEANER ASSY, LH & RHRH, CONQUEST/508.
 3. SEE F61002000 FOR RH FAN HOUSING ASSY.
 4. * REFERENCE ONLY, NOT INCLUDED IN MANUFACTURING BILL OF MATERIAL.
 5. SEE SHEET 2 FOR F61002030 (10 HP) INSTALLATION DETAIL.
 6. SEE SHEET 3 FOR F61002080 (15 HP) INSTALLATION DETAIL.

ITEM	PART NUMBER	QTY	DESCRIPTION
15	F84620134	8	WASHER, FLAT 1.50 X .438 X .18"
14	F80017534	1	CONE, FAN INLET 72 DEGREE, 2000 SQB
13	F80017533	1	FAN WHEEL, CW 1.375" SQB 2000
12	F61002080	1	MTR PKG, BK FAN 15HP 3/18 60 208-230/460V, CONQUEST
11	F61002030	1	MTR PKG, BK FAN 10HP 3/18 60 208-230/460V, CONQUEST
10	F61002011	1	HOUSING WLDMT, LH FAN, CONQUEST
9	F40000074	2	BEARING, PB 1.375" RAK
8	F11308831	1	SHAFT, PARALLEL FAN, NG
7	66445200	4	WASHER, LOCK HELICAL 1/2"
6	66443800	8	WASHER, LOCK HELICAL 5/16"
5	66405200	8	WASHER, FLAT 1/2" TYPE A
4	66085200	4	NUT, HEX 1/2-13
3	62585233	4	HHCS, 1/2-13 X 2.00"
2	62583817	8	HHCS, 5/16-18 X .75"
1	49000748	1	KEY, SQUARE 5/16 X 3.00"

This drawing is the property of the A.T. Farrell Company, Inc. and must be returned immediately upon request. No part of this drawing may be reproduced, stored in a retrieval system or transmitted in any form or by any means, without prior written consent of the A.T. Farrell Company, Inc.

NO MANUAL CHANGES
 TOLERANCES EXCEPT AS NOTED

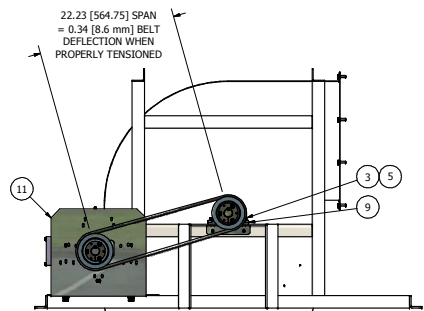
REVISION OF A.T. FARRELL COMPANY

SCALE: 0.15:1
 ORIGINAL: dmjohjnsn
 APPROVED BY: DMJ

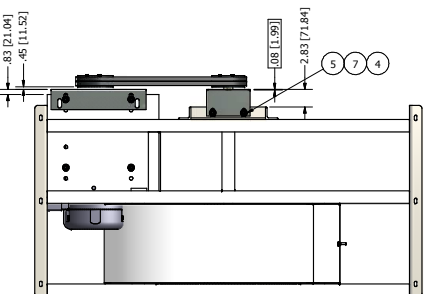
TITLE: FAN HOUSING ASSY, LH, CONQUEST

DATE: 4/1/2007
 DESIGNED BY: dmjohjnsn
 PART NUMBER: F61002011
 SHEET: 1 of 3

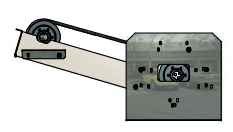
REVISION HISTORY			
REV	ECN	DESCRIPTION	DATE APPROVED
A	F980038	ELIM F90006290, 8 WAS 16, RELEASE F11305478	7/20/1998 dmjohnson
B	F060089	REDRAWN INVENTOR	8/26/2006 dmjohnson
C	F070098	TITLE WAS FAN HOUSING, LH, CONQUEST, ADD F61002011	10/29/2007 dmjohnson
D	F080116	F80017533 WAS F80017532	5/27/2008 dmjohnson



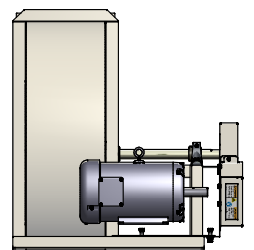
SHEAVE & GUARD BRACKET ASSEMBLY, 10 HP
STEP #2



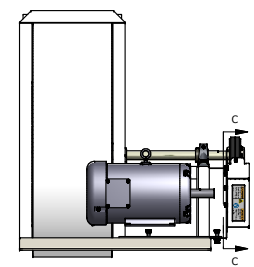
BOTTOM VIEW STEP #2



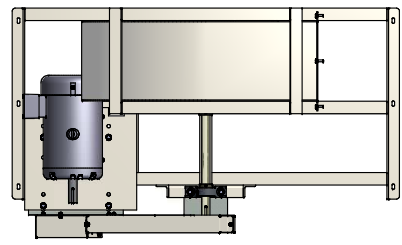
SECTION C-C



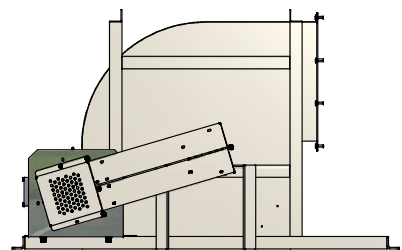
COMPLETE 10 HP



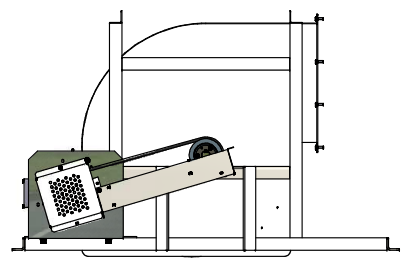
STEP #3, 10 HP



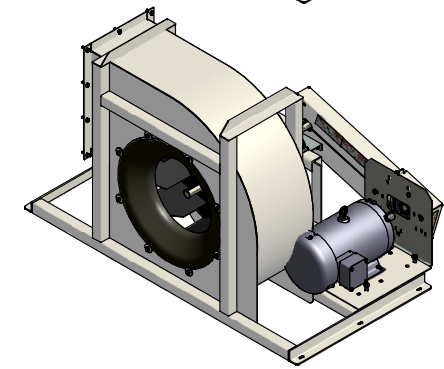
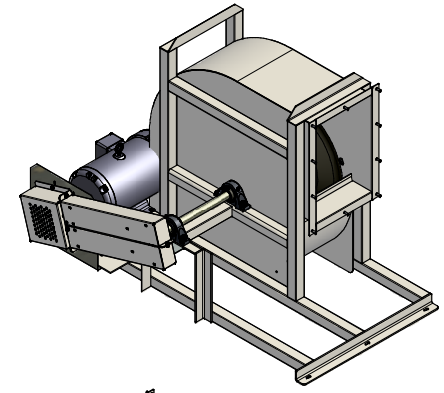
COMPLETE 10 HP



10 HP COMPLETE



GUARD ASSEMBLY
STEP #3



ITEM	PART NUMBER	QTY	DESCRIPTION
15	F84620134	8	WASHER, FLAT 1.50 X .438 X .18"
14	F80017534	1	CONE, FAN INLET 72 DEGREE, 2000 SQB
13	F80017533	1	FAN WHEEL, CW 1.375" SQB 2000
12	F61002080	1	MTR PKG, BK FAN 15HP 3/18 60 208-230/460V, CONQUEST
11	F61002030	1	MTR PKG, BK FAN 10HP 3/18 60 208-230/460V, CONQUEST
10	F61002011	1	HOUSING WLDMT, LH FAN, CONQUEST
9	F40000074	2	BEARING, PB 1.375" RAK
8	F11308831	1	SHAFT, PARALLEL FAN, NG
7	86445200	4	WASHER, LOCK HELICAL 1/2"
6	86443800	8	WASHER, LOCK HELICAL 5/16"
5	66405200	8	WASHER, FLAT 1/2" TYPE A
4	66085200	4	NUT, HEX 1/2-13
3	62585233	4	HHCS, 1/2-13 X 2.00"
2	62583817	8	HHCS, 5/16-18 X .75"
1	49000748	1	KEY, SQUARE 5/16 X 3.00"

This drawing is the property of the A.T. Farrell Company, Inc. and must be returned immediately upon request. No part of this drawing may be reproduced, stored in a retrieval system or transmitted in any form or by any means, without prior written consent of the A.T. Farrell Company, Inc.

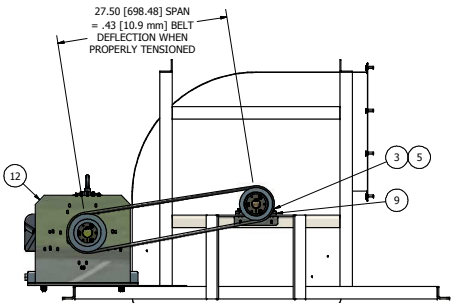
CAD
 NO MANUAL CHANGES EXCEPT AS NOTED

REVISION OF A.T. FARRELL COMPANY
 DATE: 4/1/2007
 BY: D
 FOR: F61002011
 DRAWN BY: dmjohnson
 CHECKED BY: DMJ
 BUFTON, INDIANA, USA
 SINCE 1889

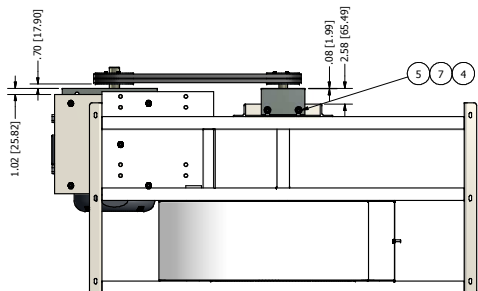
TITLE: FAN HOUSING ASSY, LH, CONQUEST
 DATE: 4/1/2007
 REV: D
 PART NUMBER: F61002011
 SHEET: 2 of 3

- NOTES:
- DO NOT SCALE FROM DRAWING.
 - ONE PIECE REQUIRED PER CLEANER ASSY, LH & RH/RH, CONQUEST/508.
 - SEE F61002000 FOR RH FAN HOUSING ASSY.
 - * REFERENCE ONLY, NOT INCLUDED IN MANUFACTURING BILL OF MATERIAL.
 - SEE SHEET 1 FOR FAN WHEEL & SHAFT INSTALLATION DETAIL.
 - SEE SHEET 3 FOR F61002080 (15 HP) INSTALLATION DETAIL.

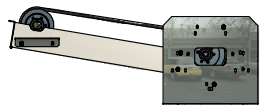
REVISION HISTORY				
REV	ECN	DESCRIPTION	DATE	APPROVED
A	F980038	ELIM F90006290, 8 WAS 16, RELEASE F11305478	7/20/1998	dmjohnson
B	F600089	REDRAWN INVENTOR	8/26/2006	dmjohnson
C	F070098	TITLE WAS FAN HOUSING, LH, CONQUEST, ADD F61002011	10/29/2007	dmjohnson
D	F680116	F80017533 WAS F80017532	5/27/2008	dmjohnson



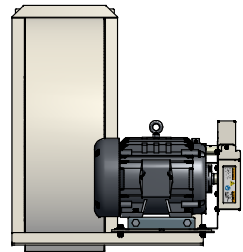
SHEAVE & GUARD BRACKET ASSEMBLY, 15 HP
STEP #2



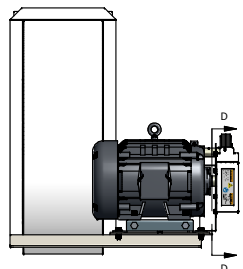
BOTTOM VIEW, STEP #2



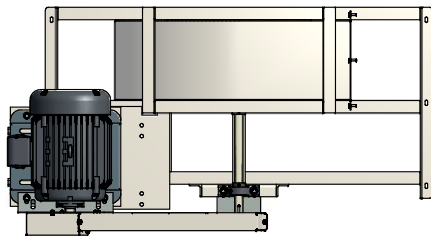
SECTION D-D



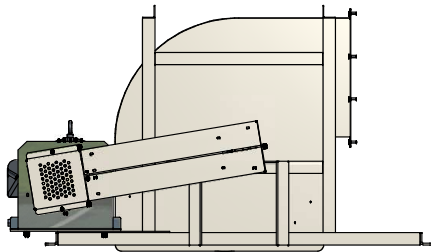
COMPLETE, 15 HP



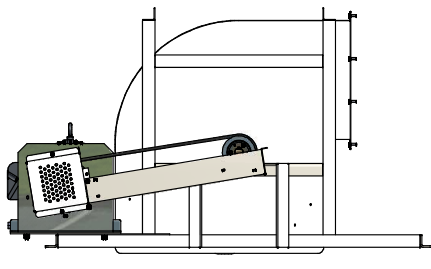
STEP #3



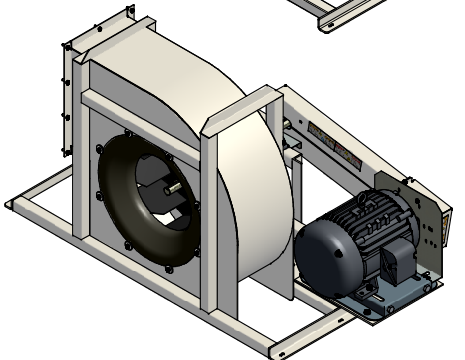
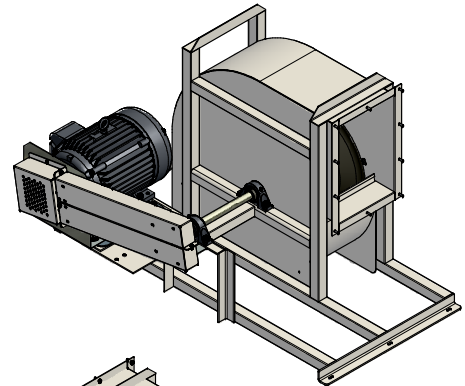
COMPLETE, 15 HP



COMPLETE, 15 HP



GUARD ASSEMBLY, 15 HP
STEP #3



ITEM	PART NUMBER	QTY	DESCRIPTION
15	F84620134	8	WASHER, FLAT 1.50 X .438 X .18"
14	F80017534	1	CONE, FAN INLET 72 DEGREE, 2000 SQB
13	F80017533	1	FAN WHEEL, CW 1.375" SQB 2000
12	F61002080	1	MTR PKG, BK FAN 15HP 3/18 60 208-230/460V, CONQUEST
11	F61002030	1	MTR PKG, BK FAN 10HP 3/18 60 208-230/460V, CONQUEST
10	F61002011	1	HOUSING W/DMT, LH FAN, CONQUEST
9	F40000074	2	BEARING, RB 1.375" BAK
8	F11308831	1	SHAFT, PARALLEL FAN, NG
7	66445200	4	WASHER, LOCK HELICAL 1/2"
6	66443800	8	WASHER, LOCK HELICAL 5/16"
5	66405200	8	WASHER, FLAT 1/2" TYPE A
4	66085200	4	NUT, HEX 1/2-13
3	62585233	4	HHCS, 1/2-13 X 2.00"
2	62583817	8	HHCS, 5/16-18 X .75"
1	49000748	1	KEY, SQUARE 5/16 X 3.00"

NO MANUAL CHANGES EXCEPT AS NOTED

REVISION OF A.T. FERRELL COMPANY

SCALE: NONE

TITLE: FAN HOUSING ASSY, LH, CONQUEST

DATE: 4/1/2007

DESIGNED BY: dmjohnson

DRAWN BY: DMJ

PROJECT NUMBER: F61002001

SHEET: 3 of 3

- NOTES:
- DO NOT SCALE FROM DRAWING.
 - ONE PIECE REQUIRED PER CLEANER ASSY, LH & RH/RH, CONQUEST/508.
 - SEE F61002000 FOR RH FAN HOUSING ASSY.
 - REFERENCE ONLY, NOT INCLUDED IN MANUFACTURING BILL OF MATERIAL.
 - SEE SHEET 1 FOR FAN WHEEL & SHAFT INSTALLATION DETAIL.
 - SEE SHEET 2 FOR F61002030 (10 HP) INSTALLATION DETAIL.