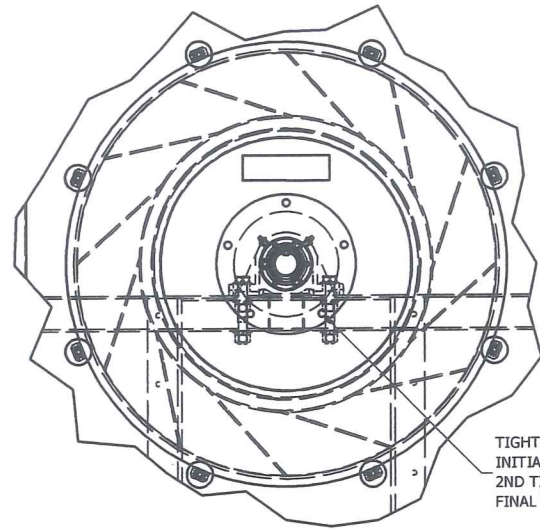
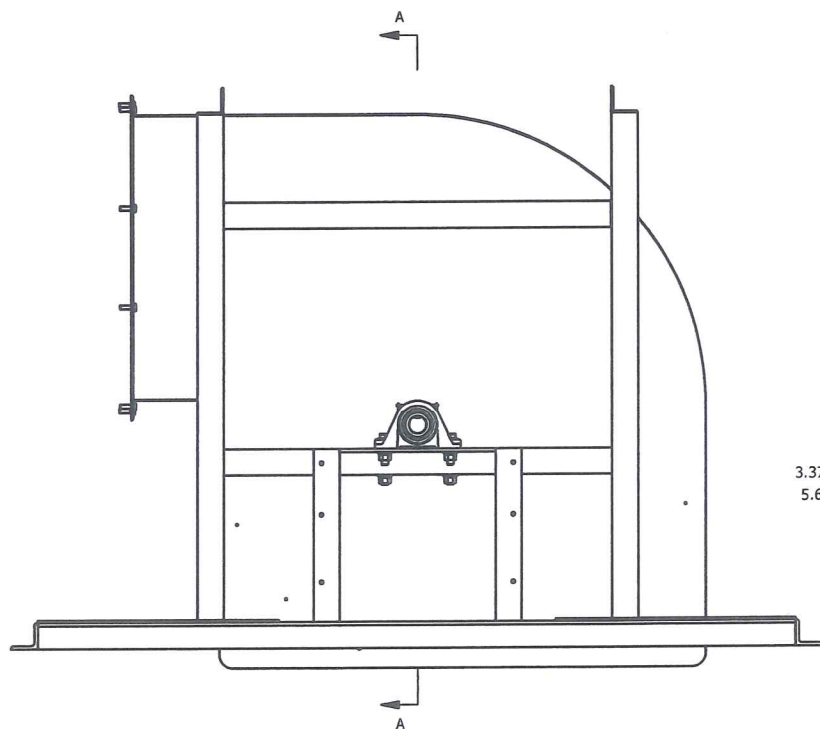
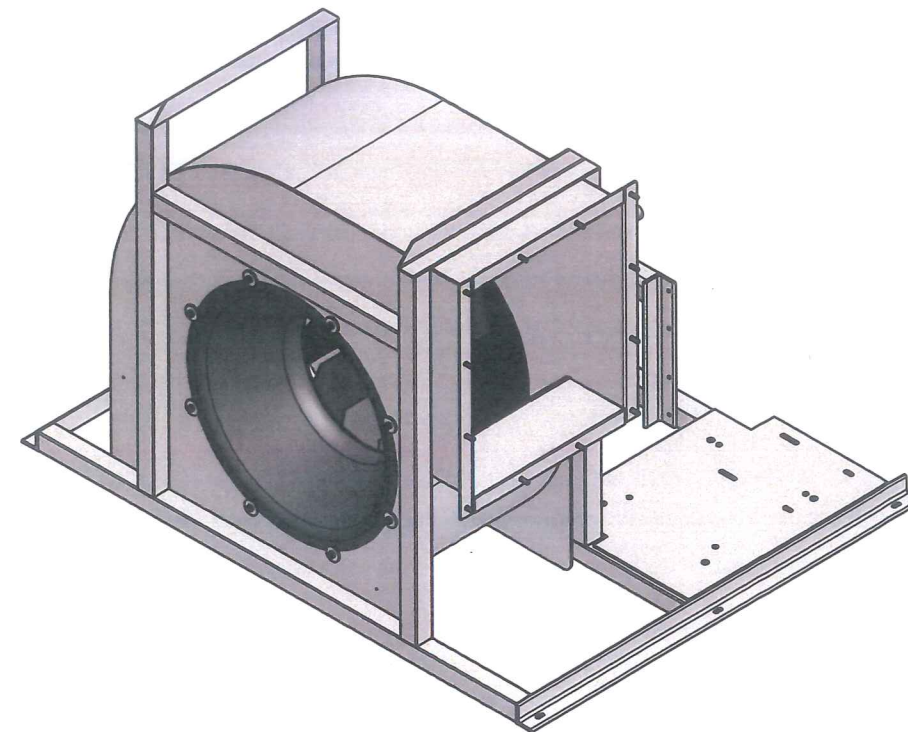
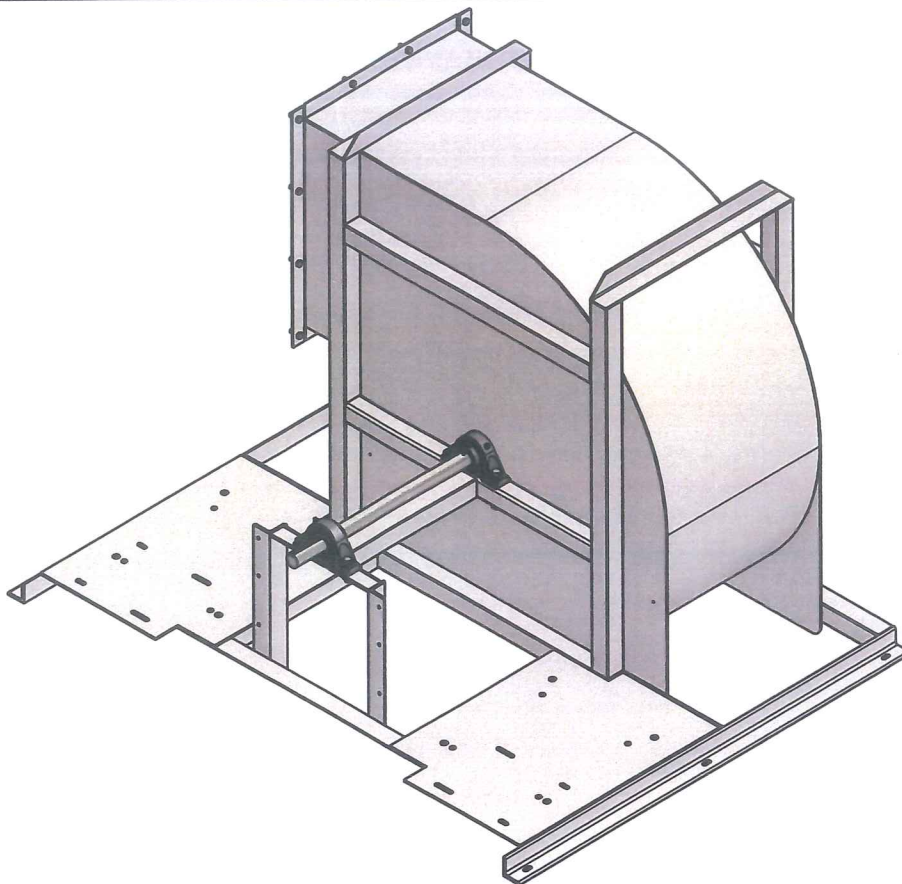


REV	ECN	DESCRIPTION	DATE	APPROVED
A	F110061	RELEASE	4/13/2011	SH
B	F140143	CHG TITLE: 'LH/LH' WAS 'RH, LH DISCHARGE'	9/9/2014	dmjohnson

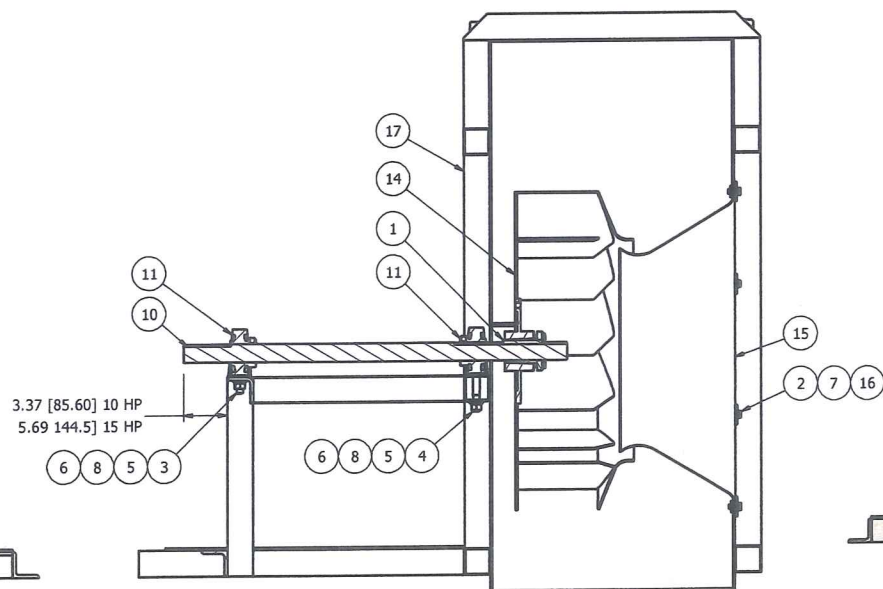


DETAIL A  
SCALE 3/16

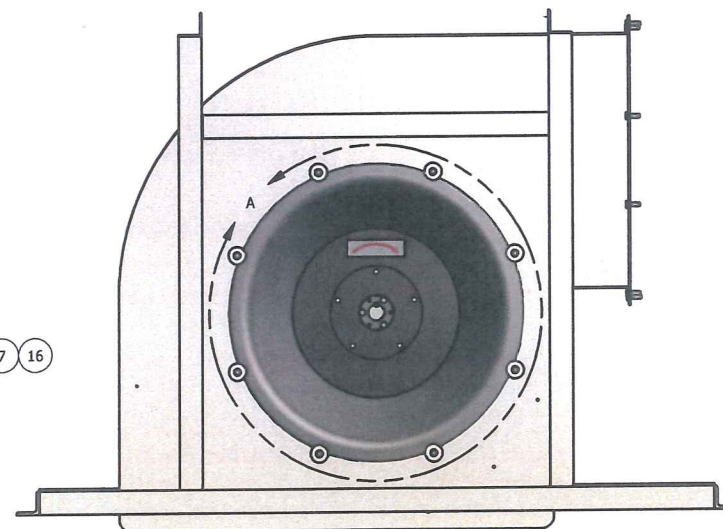
TIGHTEN FAN HUB BOLTS PROGRESSIVELY:  
INITIAL TIGHTENING TORQUE: 84LB-IN, 7 LB-FT [9.5 N-m]  
2ND TIGHTENING TORQUE: 132 LB-IN, 11 LB-FT [14.9 N-m]  
FINAL TIGHTENING TORQUE: 192 LB-IN, 16 LB-FT [21.7 N-m]



A



SECTION A-A  
SCALE 0.14 : 1



18	SEE NOTE 2	1	MOTOR BACK FAN NG 15HP STANDARD
19	SEE NOTE 2	1	MOTOR BACK FAN NG 10HP STANDARD
17	F90006564	1	FAN/MOTOR MOUNT WLDMT, RH, NG
16	F84620134	8	WASHER, FLAT 1.50 X .438 X .18"
15	F80017527	1	CONE INLET 100%
14	F80017525	1	FAN WHEEL, CCW 1.375" SQB 2225 RH
13	F62240089	1	GUARD, FAN MOTOR, TITAN
12	F62240088	1	BACK PLATE, FAN MTR, LH, TITAN
11	F40000074	2	BEARING, PB 1.375" RAK
10	F11308831	1	SHAFT, PARALLEL FAN, NG
9	66783300	3	NUT, HEX SERR LOCK 1/4-20
8	66445200	4	WASHER, LOCK HELICAL 1/2"
7	66443800	8	WASHER, LOCK HELICAL 5/16"
6	66405200	8	WASHER, FLAT 1/2" TYPE A
5	66085200	4	NUT, HEX 1/2-13
4	62585246	2	HHCS, 1/2-13 X 3.50"
3	62585233	2	HHCS, 1/2-13 X 2.00"
2	62583817	8	HHCS, 5/16-18 X .75"
1	49000748	1	KEY, SQUARE 5/16 X 3.00"

- NOTES:
- DO NOT SCALE FROM DRAWING.
  - MOTOR PACKAGES (PER SALES ORDER):  
F66682030-34: 10 HP FIXED STD  
F66682130-34: 10 HP FIXED LOW SPEED  
F66682230-34: 10 HP VARIABLE LOW SPEED  
F66682330-34: 15 HP FIXED HI SPEED  
F66682430-34: 15 HP VARIABLE HIGH SPEED
  - SEE F66682003 FOR RH/RH FAN HOUSING ASSY.
  - SEE SHEET 2 FOR 10 HP INSTALLATION DETAIL.
  - SEE SHEET 3 FOR 15 HP INSTALLATION DETAIL.

This drawing is the property of the A.T. Ferrell Company, Inc and must be returned immediately upon request. No part of this drawing may be reproduced, stored in a retrieval system or transmitted in any form or by any means without prior written consent of the A.T. Ferrell Company, Inc

**CAD**  
NO MANUAL CHANGES  
TOLERANCES EXCEPT AS NOTED

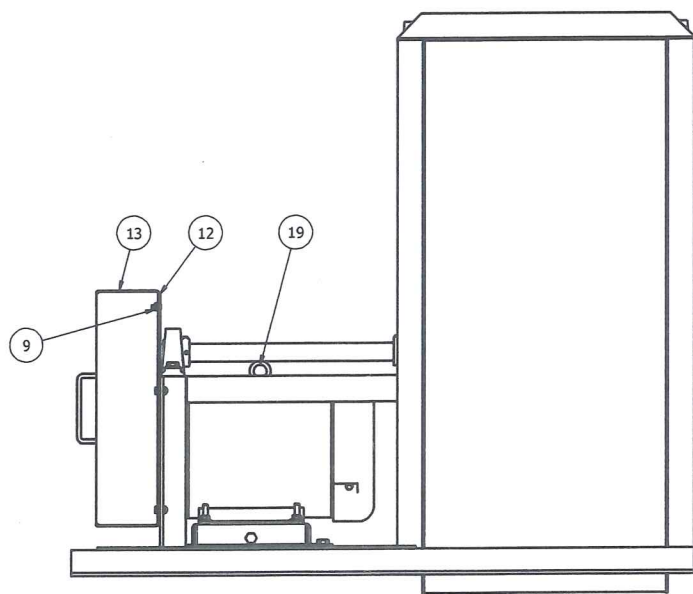
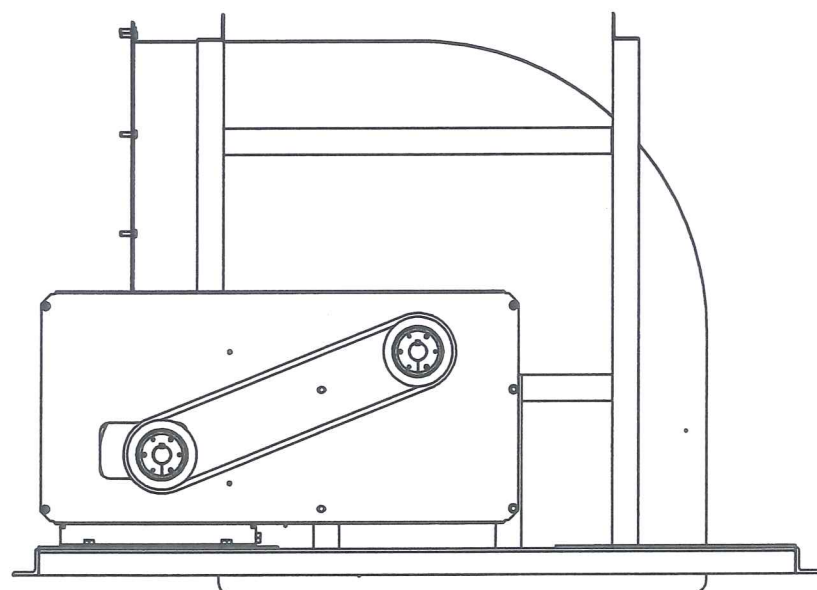
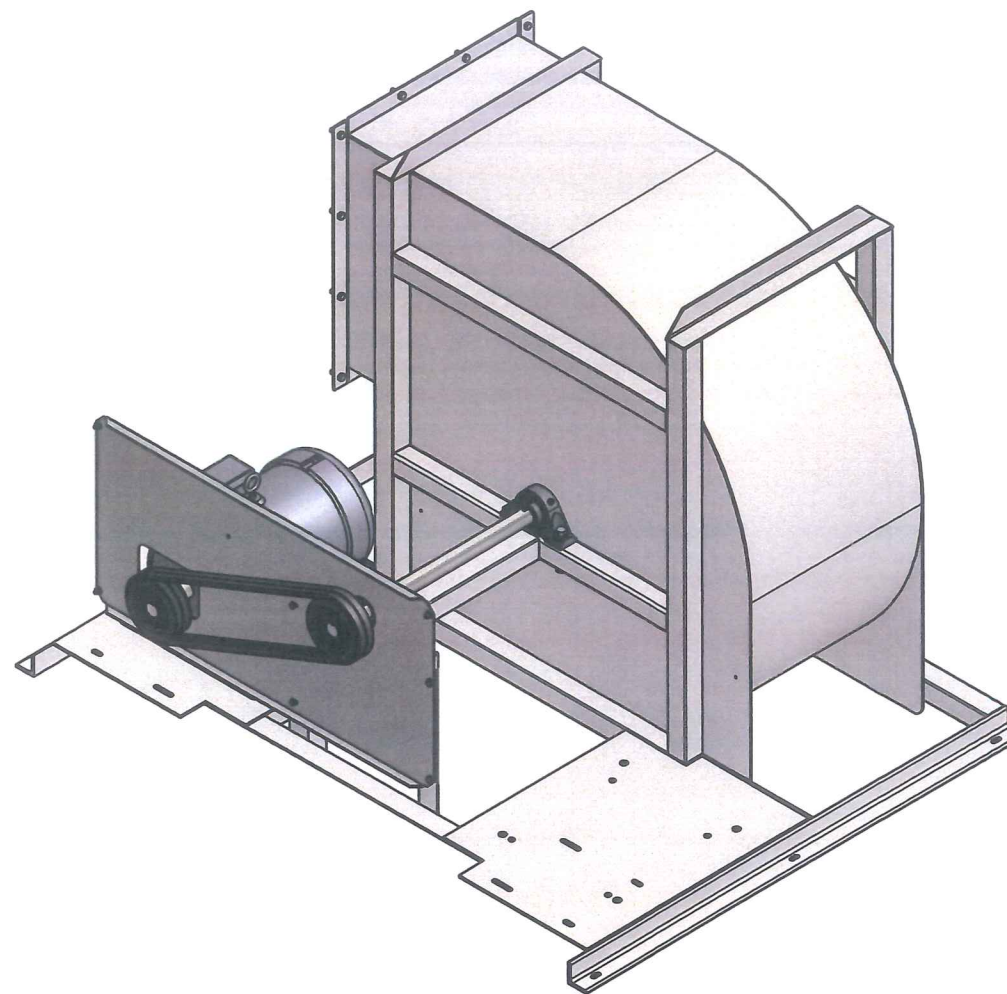
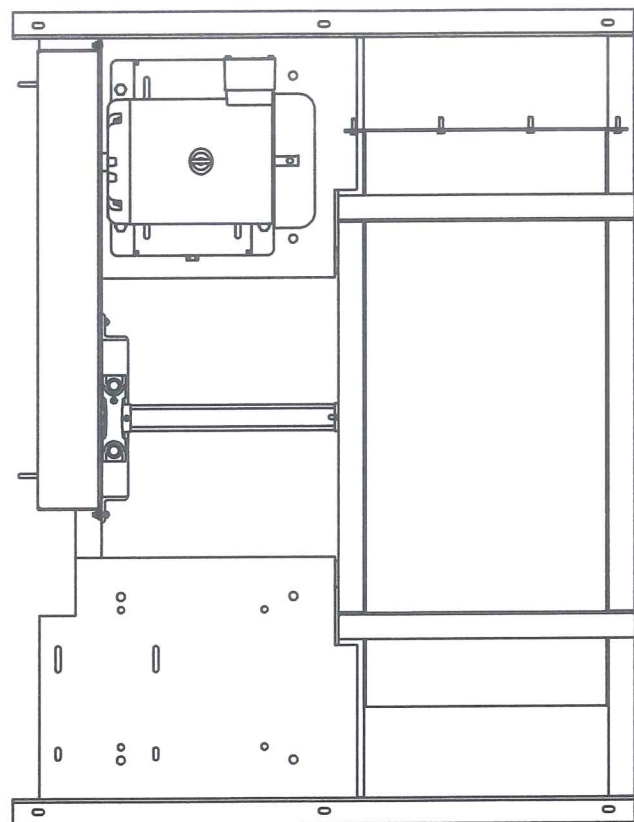
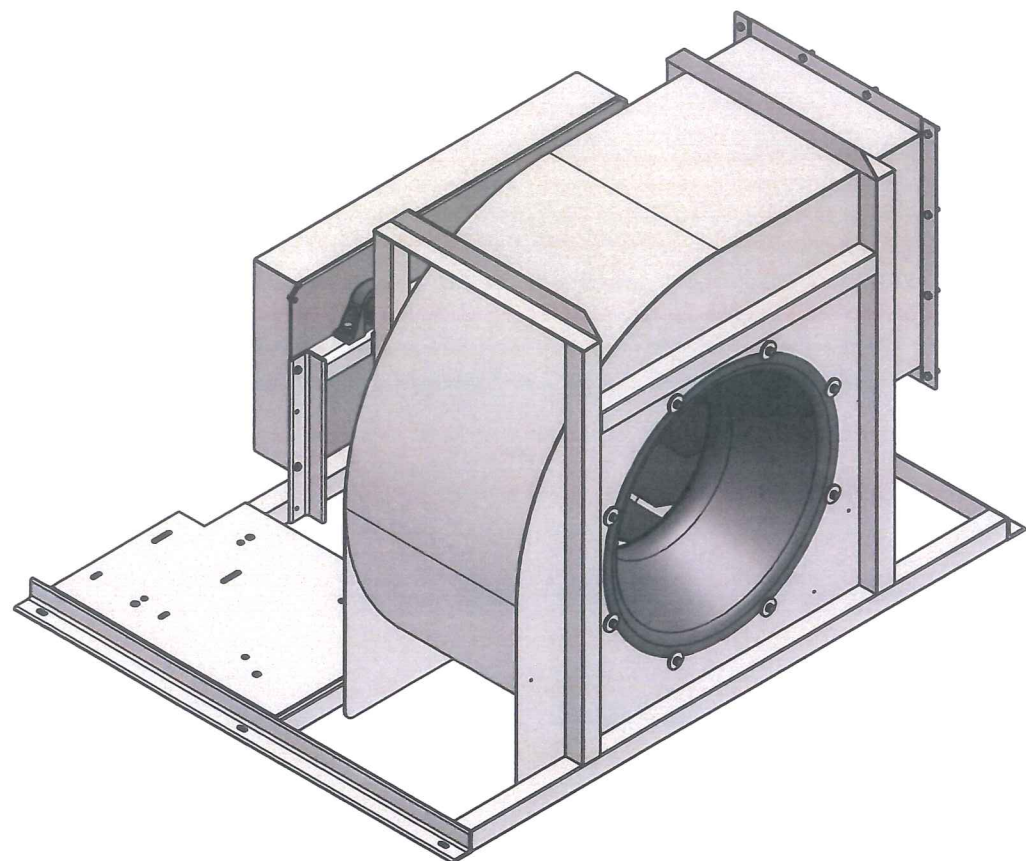
DECIMAL: .005  
FRACTIONAL: 1/32  
ANGULAR: 1/2

FINISH: NONE  
SCALE: 1:8  
DRAWN BY: SAH  
APPROVED BY: DMJ

DIVISION OF A. T. FERRELL COMPANY  
BLUFFTON, INDIANA - USA

TITLE: FAN HOUSING ASSY, LH/LH, TITAN/768MC  
DATE: 4/27/2011  
SIZE: D  
PART NUMBER: F66682002  
SHEET: 1 of 3

REVISION HISTORY				
REV	ECN	DESCRIPTION	DATE	APPROVED
A	F110061	RELEASE	4/13/2011	SH
B	F140143	CHG TITLE: 'LH/LH' WAS 'RH, LH DISCHARGE'	9/9/2014	dmjohnson



10 HP LAYOUT

- NOTES:
- DO NOT SCALE FROM DRAWING.
  - MOTOR PACKAGES (PER SALES ORDER):  
 F66682030-34: 10 HP FIXED STD  
 F66682130-34: 10 HP FIXED LOW SPEED  
 F66682230-34: 10 HP VARIABLE LOW SPEED  
 F66682330-34: 15 HP FIXED HI SPEED  
 F66682430-34: 15 HP VARIABLE HIGH SPEED
  - SEE F66682003 FOR RH/RH FAN HOUSING ASSY.
  - SEE SHEET 2 FOR 10 HP INSTALLATION DETAIL.
  - SEE SHEET 3 FOR 15 HP INSTALLATION DETAIL.

ITEM	PART NUMBER	QTY	DESCRIPTION
19	SEE NOTE 2	1	MOTOR BACK FAN NG 10HP STANDARD
18	SEE NOTE 2	1	MOTOR BACK FAN NG 15HP STANDARD
17	F90006564	1	FAN/MOTOR MOUNT WLDMT, RH, NG
16	F84620134	8	WASHER, FLAT 1.50 X .438 X .18"
15	F80017527	1	CONE INLET 100%
14	F80017525	1	FAN WHEEL, CCW 1.375" SQB 2225 RH
13	F62240089	1	GUARD, FAN MOTOR, TITAN
12	F62240088	1	BACK PLATE, FAN MTR, LH, TITAN
11	F40000074	2	BEARING, PB 1.375" RAK
10	F11308831	1	SHAFT, PARALLEL FAN, NG
9	66783300	3	NUT, HEX SERR LOCK 1/4-20
8	66445200	4	WASHER, LOCK HELICAL 1/2"
7	66443800	8	WASHER, LOCK HELICAL 5/16"
6	66405200	8	WASHER, FLAT 1/2" TYPE A
5	66085200	4	NUT, HEX 1/2-13
4	62585246	2	HHCS, 1/2-13 X 3.50"
3	62585233	2	HHCS, 1/2-13 X 2.00"
2	62583817	8	HHCS, 5/16-18 X .75"
1	49000748	1	KEY, SQUARE 5/16 X 3.00"

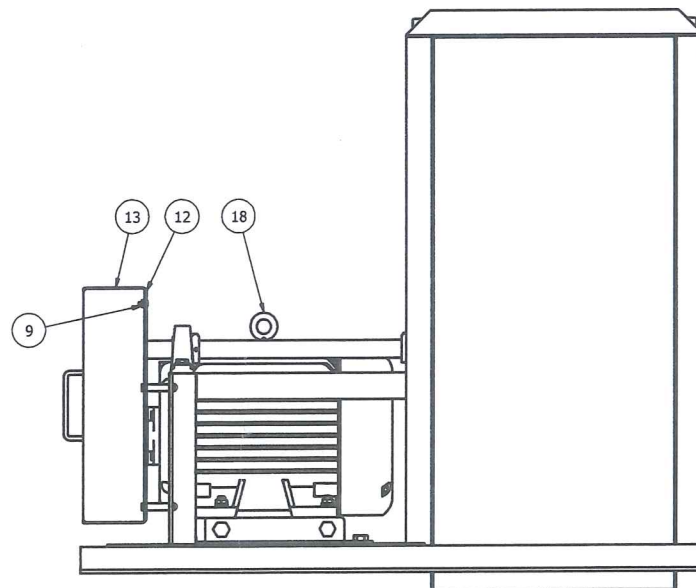
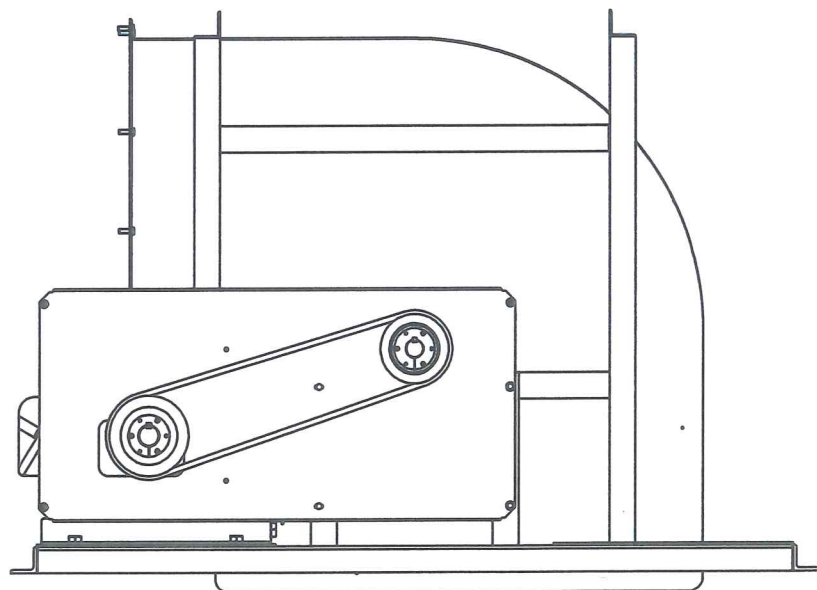
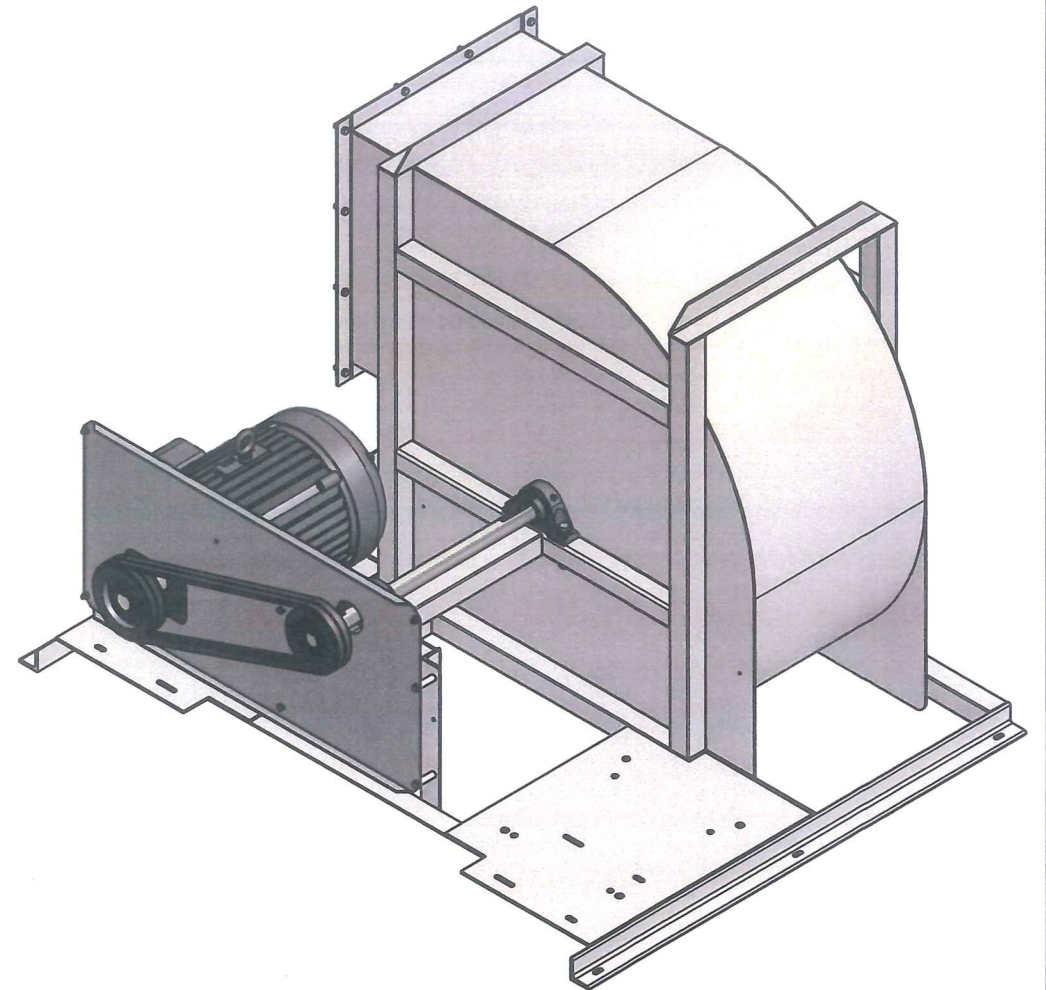
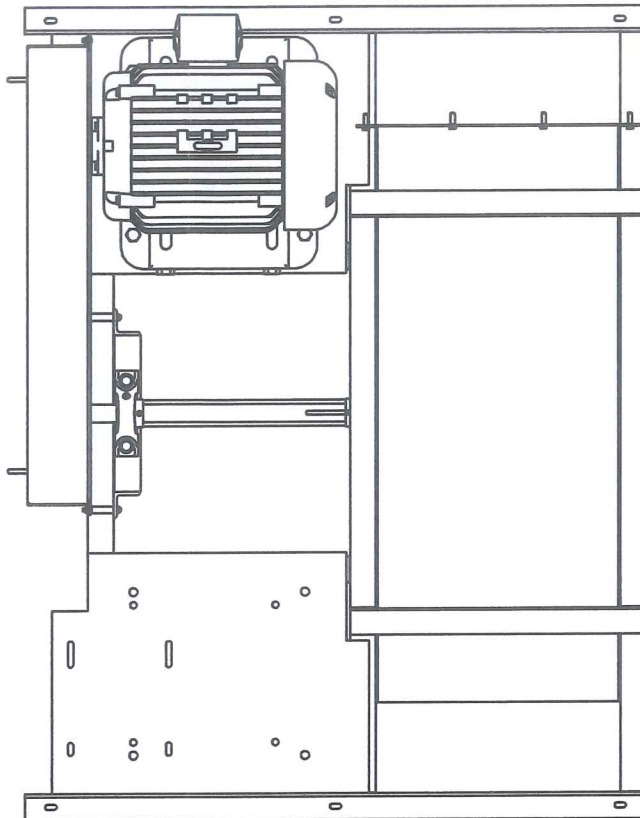
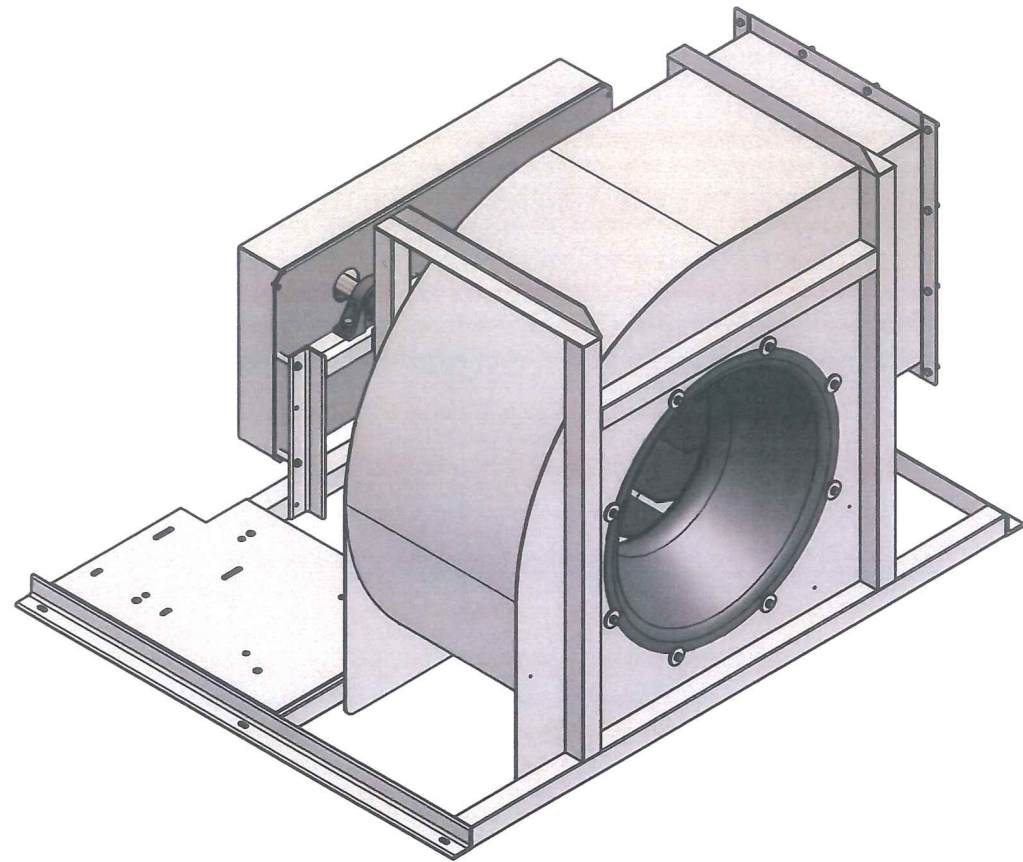
This drawing is the property of the A.T. Ferrell Company, Inc and must be returned immediately upon request. No part of this drawing may be reproduced, stored in a retrieval system or transmitted in any form or by any means, without prior written consent of the A.T. Ferrell Company, Inc

**CAD**  
NO MANUAL CHANGES  
TOLERANCES EXCEPT AS NOTED

FINISH: NONE  
SCALE: 1:8  
DRAWN BY: SAH  
APPROVED BY: DMJ

TITLE: FAN HOUSING ASSY, LH/LH, TITAN/768MC  
DATE: 4/27/2011  
SIZE: D  
PART NUMBER: F66682002  
SHEET: 2 of 3

REVISION HISTORY				
REV	ECN	DESCRIPTION	DATE	APPROVED
A	F110061	RELEASE	4/13/2011	SH
B	F140143	CHG TITLE: 'LH/LH' WAS 'RH, LH DISCHARGE'	9/9/2014	dmjohnson



15 HP LAYOUT

- NOTES:
- DO NOT SCALE FROM DRAWING.
  - MOTOR PACKAGES (PER SALES ORDER):  
 F66682030-34: 10 HP FIXED STD  
 F66682130-34: 10 HP FIXED LOW SPEED  
 F66682230-34: 10 HP VARIABLE LOW SPEED  
 F66682330-34: 15 HP FIXED HI SPEED  
 F66682430-34: 15 HP VARIABLE HIGH SPEED
  - SEE F66682003 FOR RH/RH FAN HOUSING ASSY.
  - SEE SHEET 2 FOR 10 HP INSTALLATION DETAIL.
  - SEE SHEET 3 FOR 15 HP INSTALLATION DETAIL.

ITEM	PART NUMBER	QTY	DESCRIPTION
19	SEE NOTE 2	1	MOTOR BACK FAN NG 10HP STANDARD
18	SEE NOTE 2	1	MOTOR BACK FAN NG 15HP STANDARD
17	F90006564	1	FAN/MOTOR MOUNT WLDMT, RH, NG
16	F84620134	8	WASHER, FLAT 1.50 X .438 X .18"
15	F80017527	1	CONE INLET 100%
14	F80017525	1	FAN WHEEL, CCW 1.375" SQB 2225 RH
13	F62240089	1	GUARD, FAN MOTOR, TITAN
12	F62240088	1	BACK PLATE, FAN MTR, LH, TITAN
11	F40000074	2	BEARING, PB 1.375" RAK
10	F11308831	1	SHAFT, PARALLEL FAN, NG
9	66783300	3	NUT, HEX SERR LOCK 1/4-20
8	66445200	4	WASHER, LOCK HELICAL 1/2"
7	66443800	8	WASHER, LOCK HELICAL 5/16"
6	66405200	8	WASHER, FLAT 1/2" TYPE A
5	66085200	4	NUT, HEX 1/2-13
4	62585246	2	HHCS, 1/2-13 X 3.50"
3	62585233	2	HHCS, 1/2-13 X 2.00"
2	62583817	8	HHCS, 5/16-18 X .75"
1	49000748	1	KEY, SQUARE 5/16 X 3.00"

This drawing is the property of the A.T. Ferrell Company, Inc and must be returned immediately upon request. No part of this drawing may be reproduced, stored in a retrieval system or transmitted in any form or by any means, without prior written consent of the A.T. Ferrell Company, Inc.		<b>CAD</b> NO MANUAL CHANGES TOLERANCES EXCEPT AS NOTED	
DIVISION OF A. T. FERRELL COMPANY BLUFFTON, INDIANA - USA	SCALE: 1:8 DRAWN BY: SAH APPROVED BY: DMJ	FINISH: NONE DECIMAL: .005 FRACTIONAL: 1/32 ANGULAR: 1/2°	TITLE: FAN HOUSING ASSY, LH/LH, TITAN/768MC DATE: 4/27/2011 SIZE: D PART NUMBER: F66682002 SHEET: 3 of 3