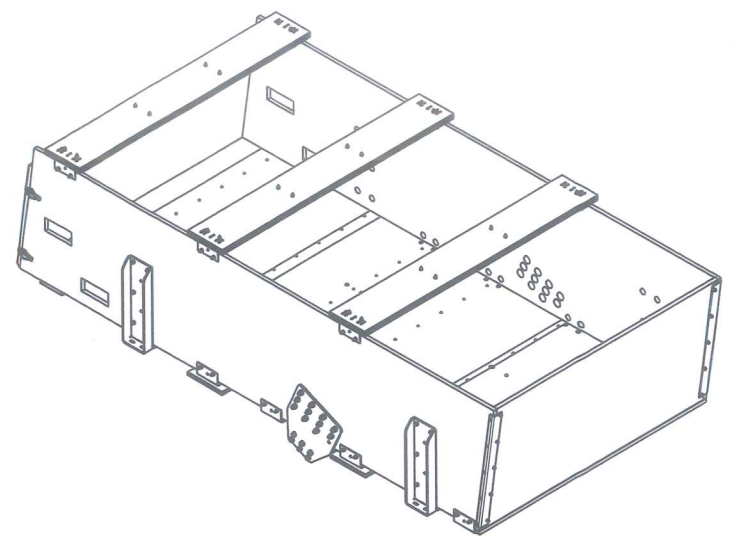
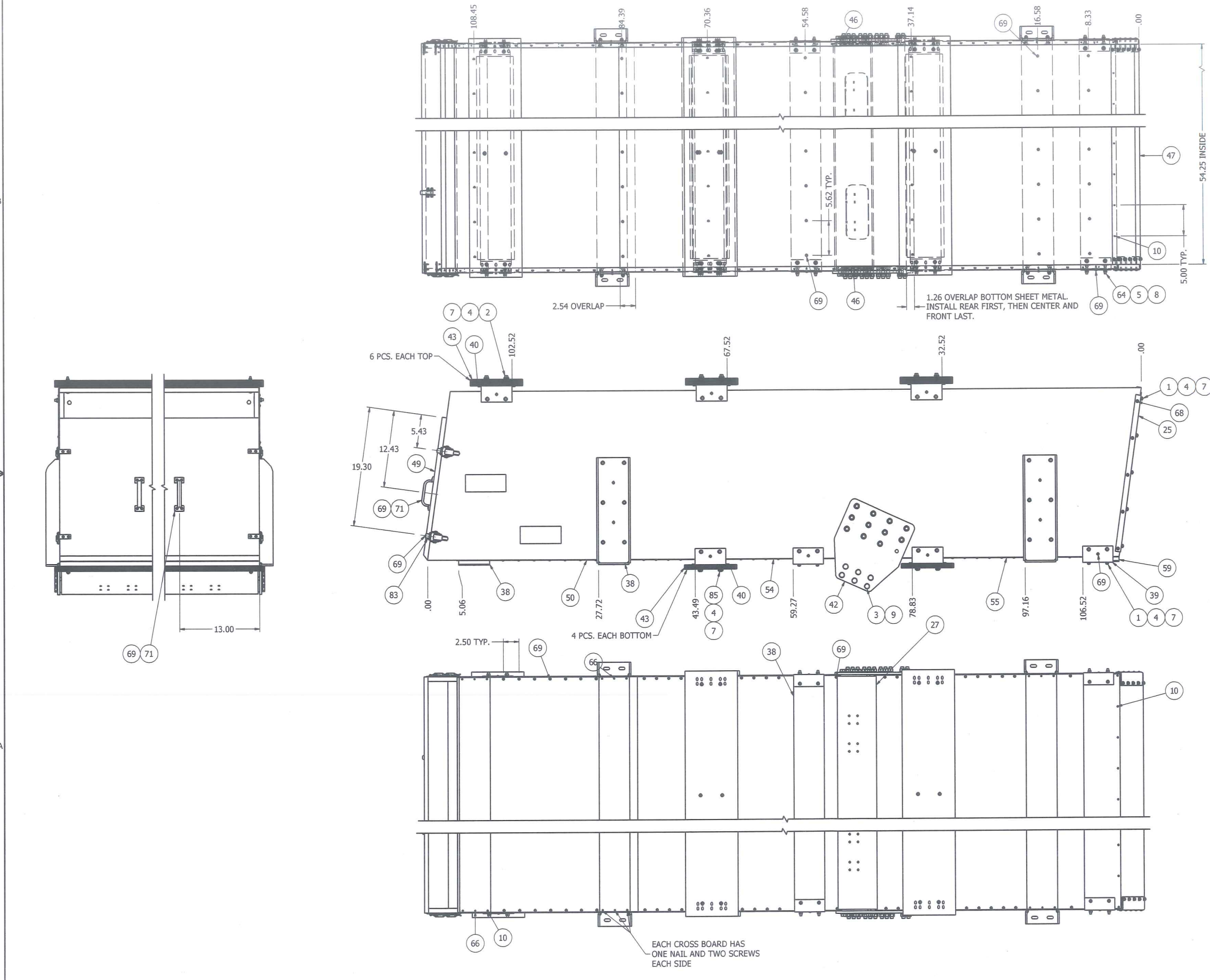


REV	ECN	DESCRIPTION	DATE	APPROVED
A	F990084	RELEASED	10/11/1999	DJ
B	F100171	REDRAWN IN INVENTOR, UPDATE DESIGN	10/13/2010	AJGAGER



ITEM	PART NUMBER	QTY	DESCRIPTION
85	60283333	16	BOLT, CARR 1/4-20 X 2"
83	F98600005	4	LATCH SET, 2PC SCD20649SS-M/SCD2065012ZE
71	F90000001	2	HANDLE, S14810
69	F83453402	719	SMS, PHP PAN HD #8 X 3/4"
68	F83440135	10	SCW, SMS PAN HD #10 X 1.75"
66	F82400002	20	NAIL, 14 GA X 3/4" THRD, 7/32" HD T304SS
64	F82025603	72	BOLT, ELEV 5/16-18 X 1.50"
63	F80026102	720	BALL, RUBBER 1.38" DIA., WHITE LO TEMP
59	F69681266	1	BOARD, CROSS 6.00 X 55.75"
55	F69681257	1	SHOE BTM MTL III, TOP SHOE 968
54	F69681256	1	SHOT BTM MTL II, TOP SHOE 968
53	F67681455	4	HANGER SUPPORT, 768 4 SCREEN
50	F67681354	1	SHOE BTM MTL I, TOP SHOE 768
49	F67681351	1	FRONT BOARD, TOP SHOE 768 SPLT SC3
47	F67681322	1	BACK BOARD, TOP SHOE 768
46	F67681320	2	SIDE, TOP SHOE 768MC
43	F66681911	26	COUNTERWEIGHT, 24LB, NG/CONQUEST
42	F62241261	2	END, PITMAN, SHOE
40	F61001910	5	SANDWICH, 9 LB COUNTERWEIGHT, CONQUEST
39	F61001212	14	BRACKET, CROSS BOARD 5.00"
38	F61001208	9	BOARD, CROSS 5.00 X 55.75"
27	F61001200	1	PITMAN WLDMT, 55.75"
25	F11303263	2	END IRON, 25.50"
11	80016019	22	BOLT, ELEV 1/2-13 X 2.00"
10	70010521	50	SCW, DECK FLT HD #6 X 2.00"
9	66445200	34	WASHER, LOCK HELICAL 1/2"
8	66443800	72	WASHER, LOCK HELICAL 5/16"
7	66443300	64	WASHER, LOCK HELICAL 1/4"
6	66085200	22	NUT, HEX 1/2-13
5	66083800	72	NUT, HEX 5/16-18
4	66083300	64	NUT, HEX 1/4-20
3	62585226	12	HHCS, 1/2-13 X 1.25"
2	60283337	24	BOLT, CARR 1/4-20 X 2.50"
1	60283326	18	BOLT, CARR 1/4-20 X 1.25"

This drawing is the property of the A.T. Ferrell Company, Inc and must be returned immediately upon request. No part of this drawing may be reproduced, stored in a retrieval system or transmitted in any form or by any means without prior written consent of the A.T. Ferrell Company, Inc

CAD
NO MANUAL CHANGES
TOLERANCES EXCEPT AS NOTED

DECIMAL: .005
FRACTIONAL: 1/32
ANGULAR: 1/2°

SCALE: 1:8
DRAWN BY: AllenG
DATE: 7/9/2010
SIZE: D

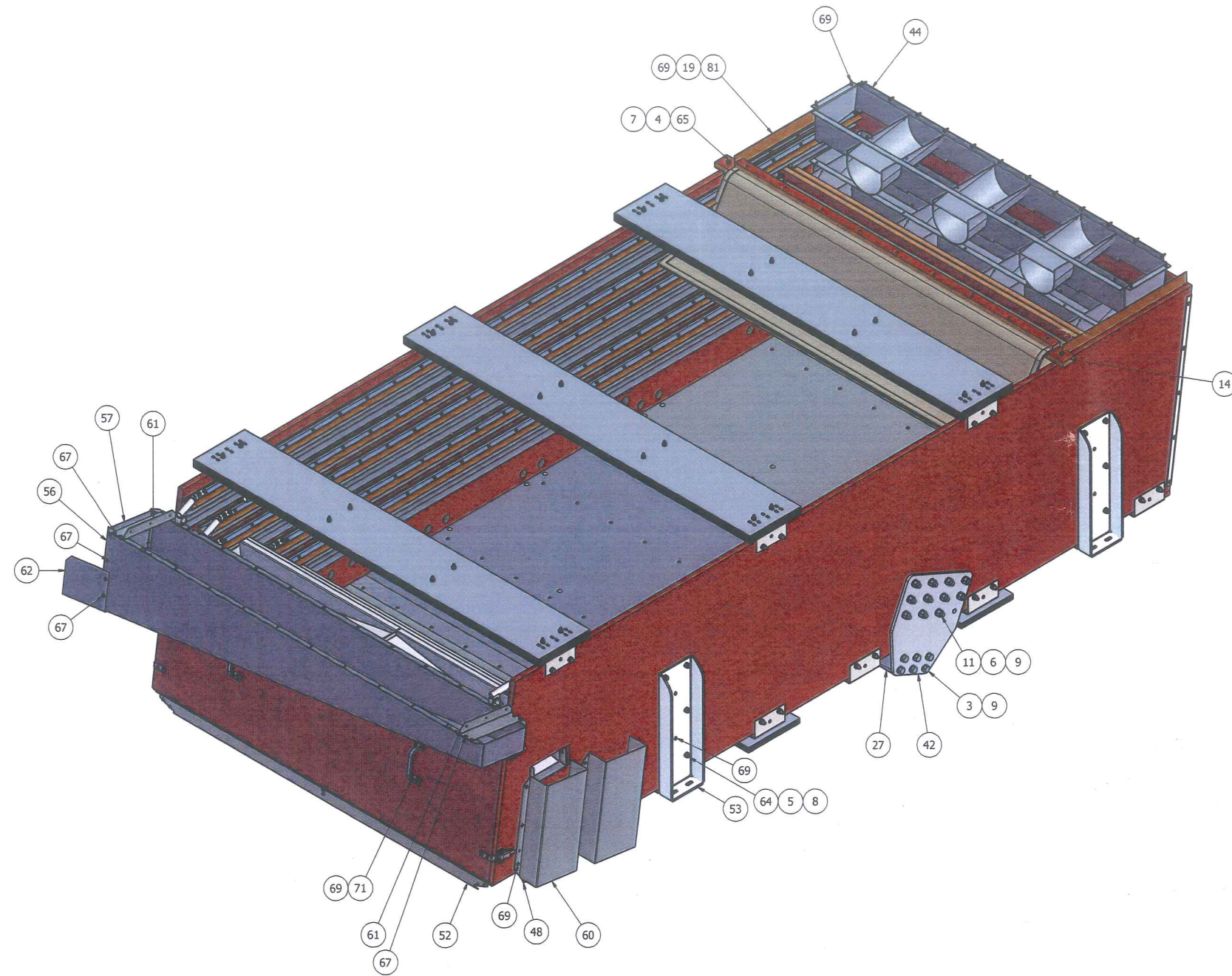
TITLE: SHOE, TOP ASS'Y, 768MC SPLT SC3 8", 78"

PART NUMBER: F67681301

APPROVED BY: DMJ

SHEET: 2 of 5

REV	ECN	REVISION HISTORY	DATE	APPROVED
A	F990084	RELEASED	10/11/1999	DJ
B	F100171	REDRAWN IN INVENTOR, UPDATE DESIGN	10/13/2010	AJGAGER



ITEM	PART NUMBER	QTY	DESCRIPTION
81	F91152006-20_75	2	BELTING, 1-PLY .06X2.50X20.75"
71	F90000001	2	HANDLE, S14810
69	F83453402	719	SMS, PHP PAN HD #8 X 3/4"
67	F83200011	20	RIVET, POP SDS64 .188X.125-.250
65	F82071401	2	STUD, DOWEL 1/4-20 X 2.50"
64	F82025603	72	BOLT, ELEV 5/16-18 X 1.50"
62	F69681294	1	EXTENSION, DISCHARGE SPOUT, 968
61	F69681269	2	DEFLECTOR, SPOUT, DISCHARGE, 768-968
60	F69681268	4	SPOUT, SHOE SIDE, 968
57	F69681263	1	END, DISCHARGE SPOUT, 768-968
56	F69681262	1	SPOUT, DISCHARGE 7 DEG, 768-968
53	F67681455	4	HANGER SUPPORT, 768 4 SCREEN
52	F67681375	1	CATCHALL 768, TOP SHOE, SPLIT SC3 ASSY
48	F67681323	4	DEFLECTOR, 768MC SIDE SPOUT
44	F67681210	1	SPLITTER WLDMT, 1ST 33/67 HI-CAP
42	F62241261	2	END, PITMAN, SHOE
27	F61001200	1	PITMAN WLDMT, 55.75"
19	F03805600-20_75	2	RUBBER HOLD-DOWN STRIP, 20.75"
14	F03401700	1	APRON ASSY, 1.25 X 57.5", SEED #8
11	80016019	22	BOLT, ELEV 1/2-13 X 2.00"
9	66445200	34	WASHER, LOCK HELICAL 1/2"
8	66443800	72	WASHER, LOCK HELICAL 5/16"
7	66443300	64	WASHER, LOCK HELICAL 1/4"
6	66085200	22	NUT, HEX 1/2-13
5	66083800	72	NUT, HEX 5/16-18
4	66083300	64	NUT, HEX 1/4-20
3	62585226	12	HHCS, 1/2-13 X 1.25"

This drawing is the property of the A.T. Ferrell Company, Inc and must be returned immediately upon request. No part of this drawing may be reproduced, stored in a retrieval system or transmitted in any form or by any means, without prior written consent of the A.T. Ferrell Company, Inc.

CAD
NO MANUAL CHANGES
TOLERANCES EXCEPT AS NOTED

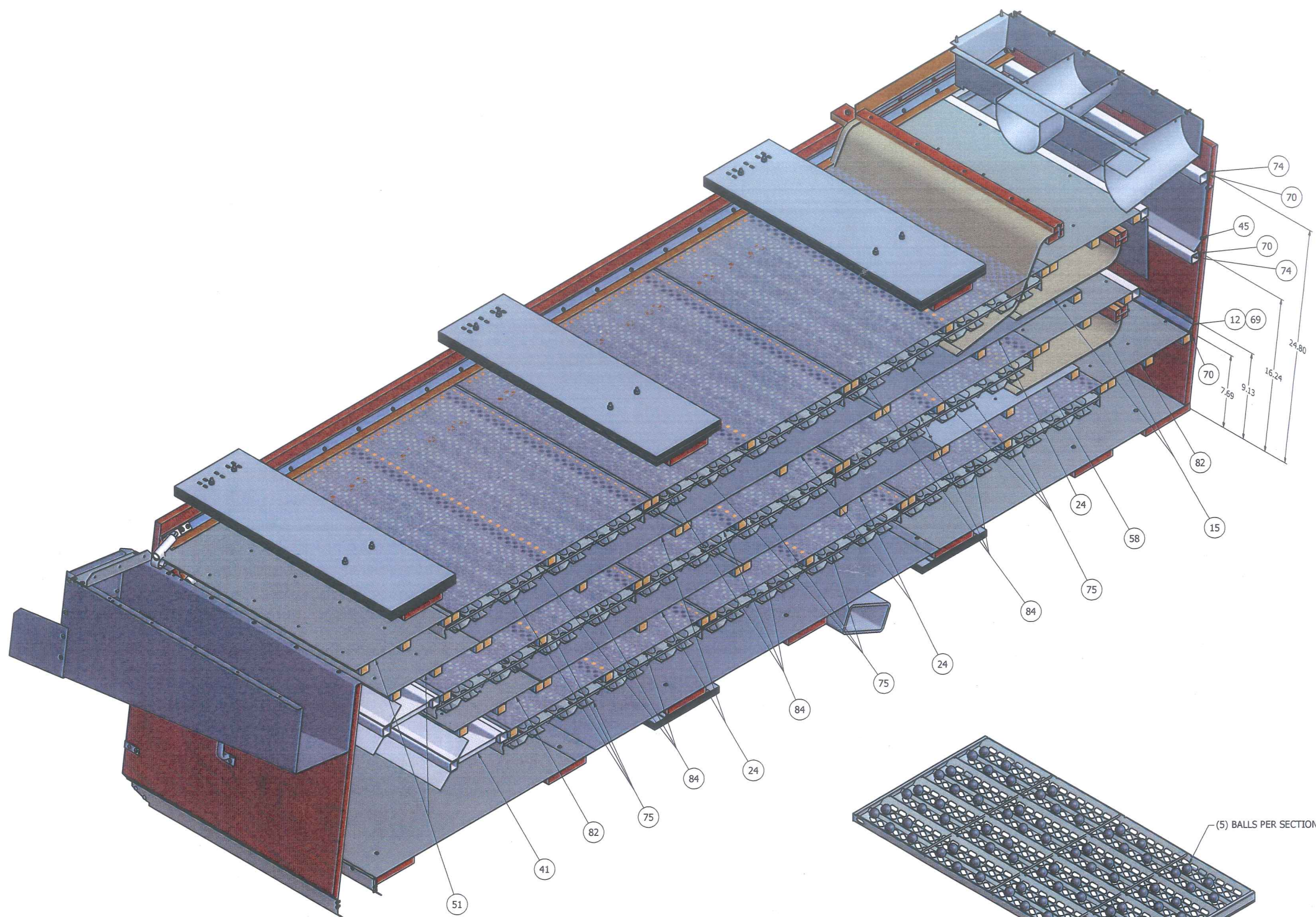
DECIMAL: .005 ± .002
FRACTIONAL: 1/32 ± .002
ANGULAR: 1/2° ± .1°

DIVISION OF A. T. FERRELL COMPANY
SCALE: 1:8
DRAWN BY: AllenG
APPROVED BY: DMJ

LIPPER
SEPARATION TECHNOLOGIES
SINCE 1869
BLUFFTON, INDIANA - USA

TITLE: SHOE, TOP ASS'Y, 768MC SLPT SC3 8', 78"
DATE: 7/9/2010
SIZE: D
PART NUMBER: F67681301
SHEET: 3 of 5

REVISION HISTORY				
REV	ECN	DESCRIPTION	DATE	APPROVED
A	F990084	RELEASED	10/11/1999	DJ
B	F100171	REDRAWN IN INVENTOR, UPDATE DESIGN	10/13/2010	AJGAGER



BALL ARRANGEMENT
SCALE .125

ITEM	PART NUMBER	QTY	DESCRIPTION
84	SALES ORDER	9	SCREEN ASSY, 26" W/LIP
82	F92053018	2	BLANK ASSY, SCREEN W/LIP 11.00" X #8
75	F90008270	9	BALL TRAY WLDMT, 26.25 X 54.00" NG
74	F90006171	2	FRAME WLDMT, CROSS FLOW, 9 X 54"
70	F87600001	13.563 ft	FELT, STRIP 1/8 X 3/4 X 54.25"
69	F83453402	719	SMS, PHP PAN HD #8 X 3/4"
58	F69681265	1	BLANK ASSY, SCREEN W/LIP, 18 X 54"
51	F67681360	4	BLANK ASSY, SCREEN W/LIP, 12 X 54"
45	F67681211	1	SPLITTER WLDMT, 2ND 33/67 HI-CAP
41	F62241204	2	SPOUT ASSY, SPLT DISCH 10 DEG, TITAN
24	F10808000	5	BLANK ASSY, SCREEN W/LIP 26.25 X 54.00"
15	F03401701	2	APRON ASSY, 1.25 X 53.94"
12	F03305401	1	RUBBER HOLDING STRIP, 54.25"

This drawing is the property of the A.T. Ferrell Company, Inc and must be returned immediately upon request. No part of this drawing may be reproduced, stored in a retrieval system or transmitted in any form or by any means, without prior written consent of the A.T. Ferrell Company, Inc

CAD
NO MANUAL CHANGES
TOLERANCES EXCEPT AS NOTED

DECIMAL: .005 ± .010
FRACTIONAL: 1/32 ± 1/32
ANGULAR: 1/2°

FINISH: DIVISION OF A. T. FERRELL COMPANY
SCALE: 1:8
DRAWN BY: AllenG
APPROVED BY: DMJ

TITLE: SHOE, TOP ASSY, 768MC SLPT SC3 8', 78"
DATE: 7/9/2010
SIZE: D
PART NUMBER: F67681301
SHEET: 4 of 5

F67681301

A

A

