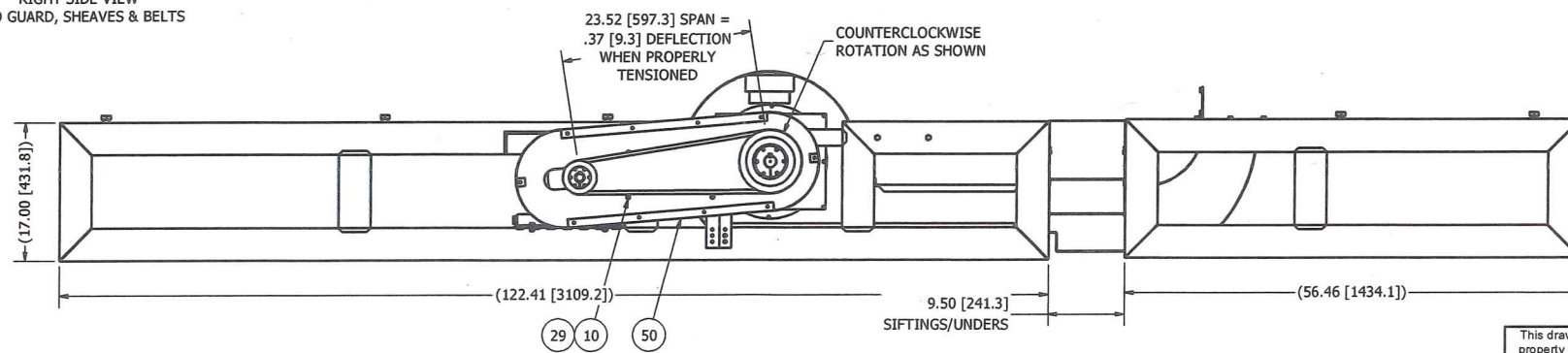
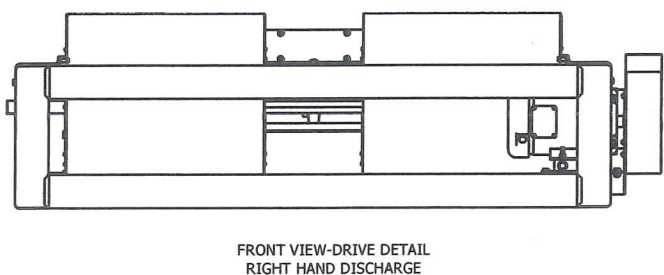
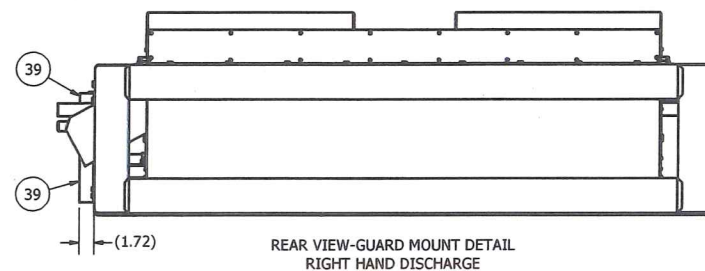
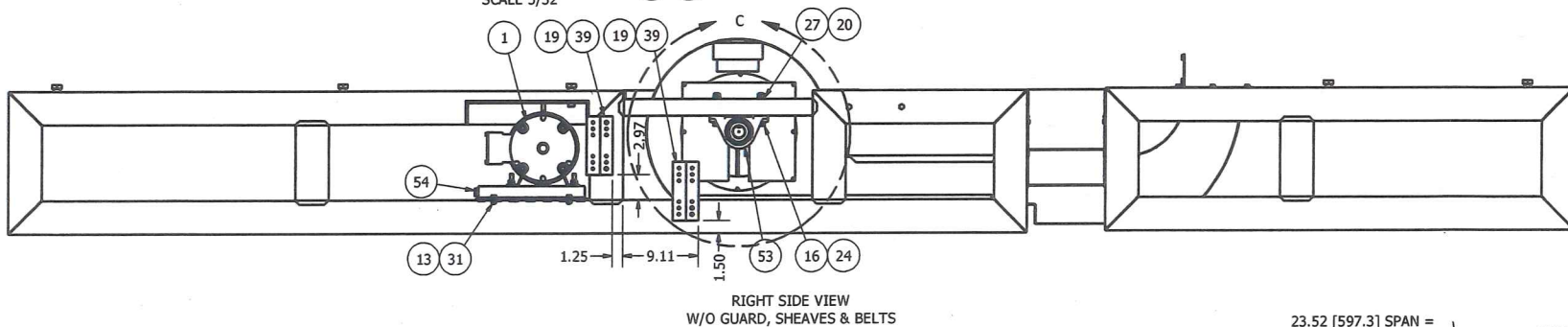
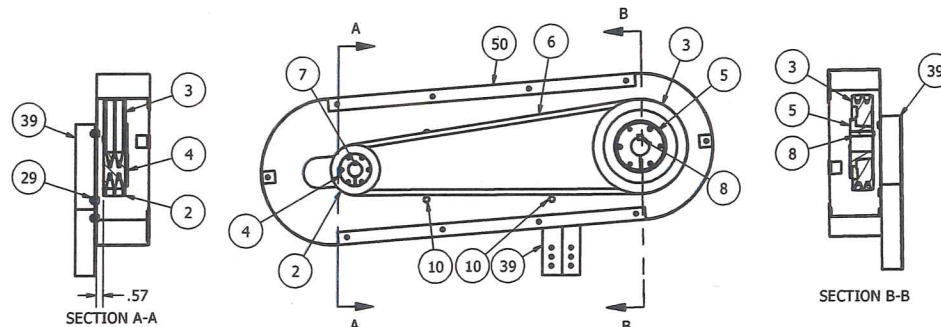
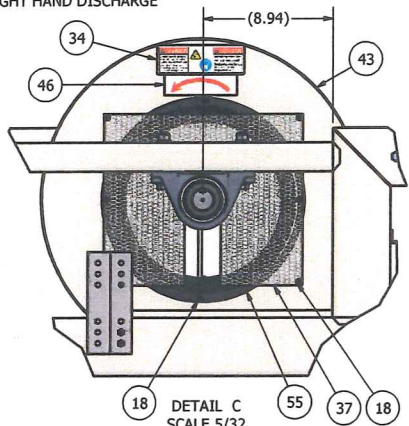
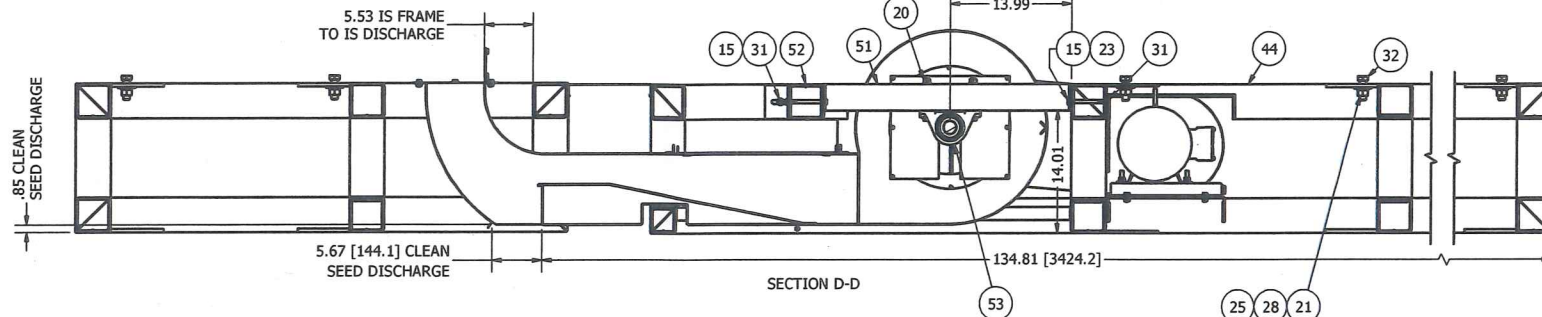
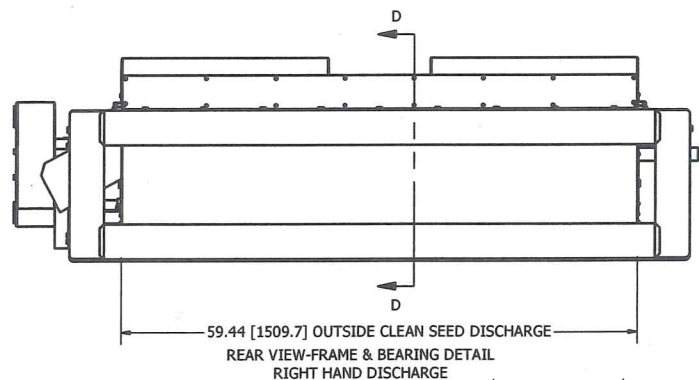


REV	ECN	DESCRIPTION	DATE	APPROVED
A	F090149	RELEASE	5/22/2009	dmjohnson
B	F090172	UPDATED ASSY	6/17/2009	SH
C	F110192	45002069 WAS 45002074, UPDATED ASSY	8/23/2011	SH
D	F140032	UPDATE DECALS, ADD DUAL DIMS, FRONT VIEW & DRIVE DETAIL	3/7/2014	dmjohnson



55	F97700052	4	CONE, INTAKE, BTM FAN, NG
54	F96200182	1	BASE, MOTOR ADJ, 182T-DBL SCW
53	F92401080	3	BEARING, PB 1.500" VAK
52	F90006615	1	CROSS GIRT WLDMT, BOLTED, BOTTOM FAN, NG
51	F90006243	1	STRUT WLDMT, BEARING, DUAL BTM FAN, NG
50	F90006112	1	GUARD WLDMT, BOTTOM FAN, NG
49	F82700050	1	RIBBON, CLOTH .88 X 1.50"
48	F80003666	1	DECAL, RIBBON INDICATOR
47	F80003613	1	DECAL, RIGHT ARROW
46	F80003612	1	DECAL, ARROW, LEFT
45	F67683009	1	FRAME WLDMT, BOTTOM AIR, DUMMY 6.69, 768MC
44	F67683005	1	FRAME WELDMENT, MAIN BOTTOM FAN 768MC
43	F62243060	1	HOUSING WLDMT, FAN, BTM DUAL, TITAN
42	F62243020	1	COVER, AIR LEG, TITAN
41	F62243015	1	SPOUT WLDMT, DISCHARGE, BOTTOM FAN, TITAN
40	F11303823	1	COVER, GUARD, BTM FAN, NG
39	F11303819	2	BRACKET, MNT, GUARD, BTM FAN, NG
38	F11303768	1	SHAFT, BOTTOM FAN, NG
37	F11302839	4	GUARD, INLET, BTM FAN, NG
36	F03805600	1	RUBBER HOLD-DOWN STRIP, 1.75"
35	80003643	1	DECAL, WARNING, BELT & CHAIN
34	80003642	2	DECAL, WARNING, FAN BLADE
33	70007001	2	RIVET, POP SDS52 .156 X .06-.13"
32	67026435	10	HHCS, #5 3/4 - 10 X 2.25"
31	66784400	18	NUT, HEX SERR LOCK 3/8-16
30	66783800	36	NUT, HEX SERR LOCK 5/16-18
29	66783300	4	NUT, HEX SERR LOCK 1/4-20
28	66446400	10	WASHER, LOCK HELICAL 3/4"
27	66445200	6	WASHER, LOCK HELICAL 1/2"
26	66443300	10	WASHER, LOCK HELICAL 1/4"
25	66406400	10	WASHER, FLAT TYPE A WIDE 3/4"
24	66405200	6	WASHER, FLAT, TYPE A, 1/2"
23	66404400	10	WASHER, FLAT 3/8" NARROW TYPE A
22	66403800	20	WASHER, FLAT, 5/16" TYPE A
21	66086400	10	NUT, HEX 3/4-10
20	66085200	6	NUT, HEX 1/2-13
19	65483312	8	SCW, MACH HX SLT HD T/C 1/4-20 X 1/2"
18	65482205	32	SCW, MACH HX SLT HD T/C 8-32 X 1/4"
17	62585253	2	HHCS, 1/2-13 X 4.50"
16	62585246	4	HHCS, 1/2-13 X 3.50"
15	62584453	8	HHCS, 3/8-16 X 4.50"
14	62584422	6	HHCS, 3/8-16 X 1.00"
13	62584417	4	HHCS, 3/8-16 X 3/4"
12	62583812	20	HHCS, 5/16-18 X 1/2"
11	62583326	1	HHCS, 1/4-20 X 1.25"
10	62583312	4	HHCS, 1/4-20 X 1/2"
9	62583308	10	HHCS, 1/4-20 X 3/8"
8	49000832	1	KEY, SQUARE 3/8 X 2.00"
7	49000620	1	KEY, SQUARE 1/4 X 1/4 X 1.25"
6	45002074	2	BELT B 71
5	44010918	1	BUSHING, QD SK 1.500"
4	44010312	1	BUSHING, QD SH 1.125"
3	43120155	1	SHEAVE, 2B7.4 SK
2	43120083	1	SHEAVE, 2B3.8 SH
1	33001026	1	MTR, 3 HP 3D18 0/6 230/460 TEFC FT

- NOTES:
- DO NOT SCALE FROM DRAWING.
  - \*3Ø, 230V MOTOR PACKAGE COMPONENTS, REFERENCE ONLY, NOT INCLUDED IN BILL OF MATERIAL. SEE SALES ORDER.
  - \*\*\*F06002783: FAN ASSY, BOTTOM DUAL, NG; STANDARD FAN. OPTIONAL FAN, F62243025: FAN ASSY, AIRFOIL, NG/TITAN. SEE F62243060: HOUSING WLDMT, BOTTOM DUAL FAN, TITAN & SALES ORDER.
  - RIGHT HAND DISCHARGE SHOWN. ASSEMBLE SPOUT OPPOSITE FOR LEFT HAND DISCHARGE. SEE SALES ORDER.
  - ONE PIECE REQUIRED PER F67680020-23: CLEANER ASSY, RH-LH/LH W/BOTTOM AIR, 768MC.
  - ALTERNATIVE UNITS [X.X] IN MILLIMETERS.

This drawing is the property of the A.T. Ferrell Company, Inc and must be returned immediately upon request. No part of this drawing may be reproduced, stored in a retrieval system or transmitted in any form or by any means, without prior written consent of the A.T. Ferrell Company, Inc

**CAD**  
NO MANUAL CHANGES  
TOLERANCES EXCEPT AS NOTED

FINISH: NONE  
SCALE: 0.09:1  
DRAWN BY: sahamman  
APPROVED BY: DMJ

TITLE: FAN ASSY, BOTTOM DUAL 6.69, 768MC  
DATE: 5/22/2009  
SIZE: D  
PART NUMBER: F67683001  
SHEET: 2 of 2