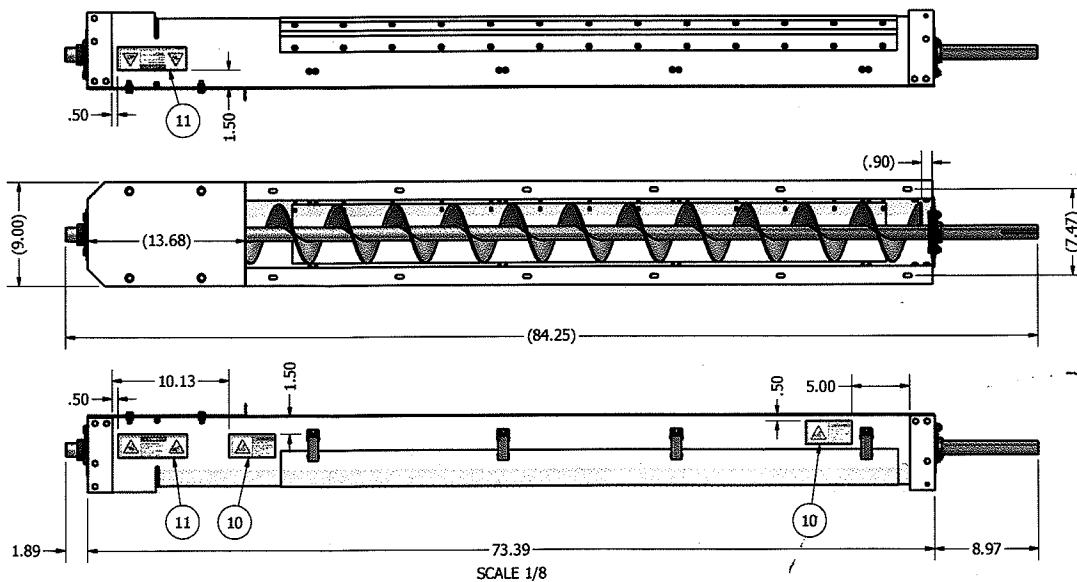
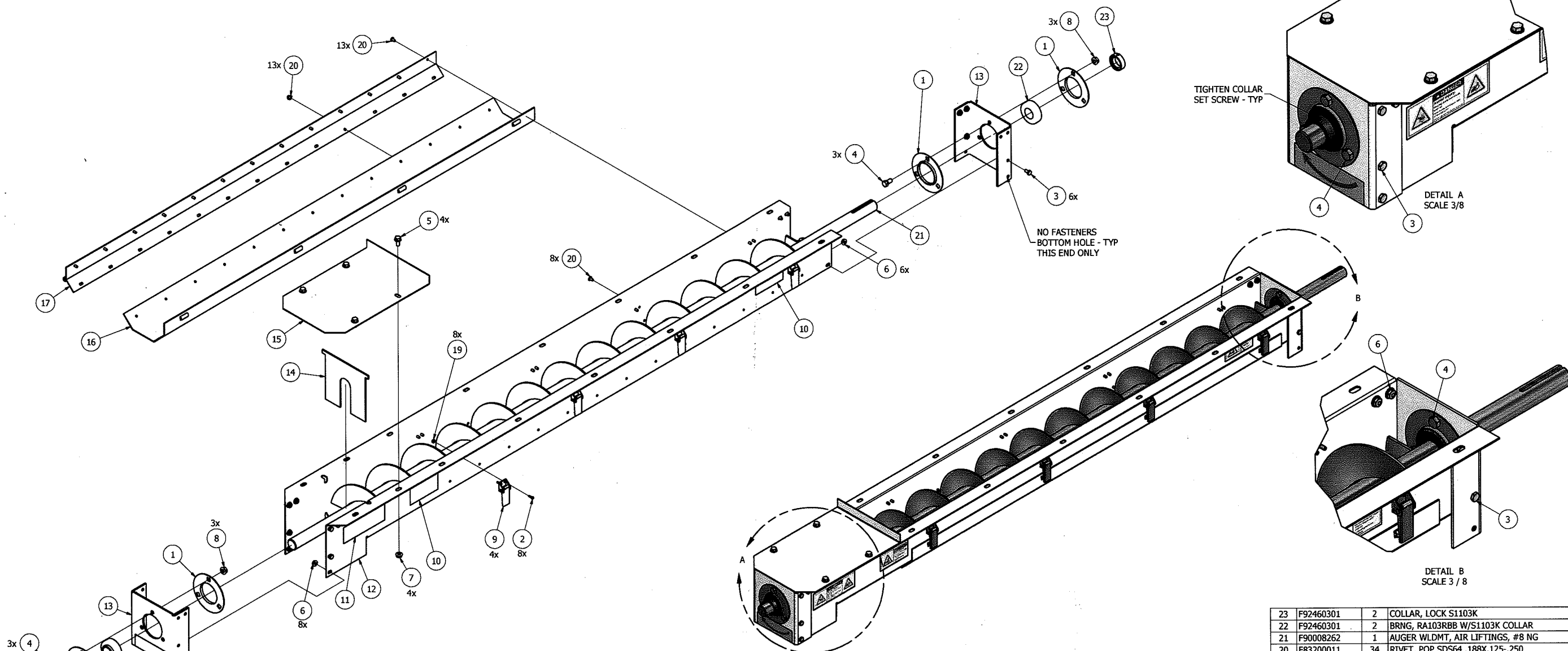


REV	ECN	REVISION HISTORY	DATE	APPROVED
A	F020080	DESCRIPTION	11/15/2002	dmjohnson
B	F080174	REDRAWN IN CAD	9/16/2008	dmjohnson
C	F100002	REDRAWN IN INVENTOR	1/6/2010	dmjohnson
		62341812, 62583312, -4417 & 65683817 WAS 62341802, 62583317, 62583812 & -17, 66784400 WAS 66083800, 66403800 & 66443800, F82611032 WAS 66081800 & 66441800		



ITEM	PART NUMBER	QTY	DESCRIPTION
23	F92460301	2	COLLAR, LOCK S1103K
22	F92460301	2	BRNG, RA103RBB W/S1103K COLLAR
21	F90008262	1	AUGER WLDMT, AIR LIFTINGS, #8 NG
20	F83200011	34	RIVET, POP SDS64 .188X.125-.250
19	F82611032	8	NUT, HEX LOCK KEPS 6-32
18	F80003613	1	DECAL, RIGHT ARROW
17	F11310006	1	HINGE, AUGER, #8 NG
16	F11310005	1	DOOR, AUGER #8, NG
15	F11310004	1	TOP, DISCHARGE, AUGER, NG
14	F11310003	1	AIR LOCK, DISCHARGE, AUGER, NG
13	F11310002	2	END CAP, AUGER, NG
12	F11310001	1	TROUGH, AUGER, NG
11	80006509	2	DECAL, DANGER, KEEP HANDS CLEAR
10	80003644	2	DECAL, WARNING SCREW CONVEYOR
9	70004505	4	LATCH, AUGER BOX
8	66784400	6	NUT, HEX SERR LOCK 3/8-16
7	66783800	4	NUT, HEX SERR LOCK 5/16-18
6	66783300	14	NUT, HEX SERR LOCK 1/4-20
5	65683817	4	HHCS, SERR WASHER HEAD, 5/16-18 X 3/4"
4	62584417	6	HHCS, 3/8-16 X 3/4"
3	62583312	14	HHCS, 1/4-20 X 1/2"
2	62341812	8	SCW, MACH PAN CROSS HD 6-32 X 1/2"
1	40000005	4	FLANGE, BRNG 1.063", 3 BOLT

This drawing is the property of the Ferrell Company, Inc. and must be returned immediately upon request. No part of this drawing may be reproduced, stored in a retrieval system or transmitted in any form or by any means, without prior written consent of the A.T. Ferrell Company, Inc.

**CAD**  
NO MANUAL CHANGES  
TOLERANCES EXCEPT AS NOTED

NO DIVISION OF A. T. FERRELL COMPANY  
BLUFFTON, INDIANA - USA

DECIMAL: ± .005	FRACTIONAL: ± 1/32	ANGULAR: ± 1/2°	FINISH: NONE	SCALE: 0.19:1	DRAWN BY: dmjohnson	APPROVED BY: DMJ
TITLE: AUGER ASSY, FORMED #8A, NG			DATE: 11/17/2004	SIZE: D	PART NUMBER: F92053508	SHEET: 1 of 1

NOTES:  
1. DO NOT SCALE FROM DRAWING.  
2. ASSEMBLE HINGE, DOOR AND LATCHES OPPOSITE FOR F92053509: AUGER ASSY, FORMED #8B, NG.