

Clipper Debearder Pro



1440 SOUTH ADAMS STREET, BLUFFTON IN 46714 (260) 824-3400, (800) 248-8318, FAX 260-824-5463
clipperseparation.@atferrell.com www.atferrell.com

The Clipper Debearder Pro is a multi-purpose machine available with various motor sizes and voltages along with optional variable speed controls to handle a wide variety of jobs with ease. The Clipper Debearder originally designed to debeard barley has become one of the most versatile machine in the entire Clipper line. The Debearder Pro Series incorporates improvements such as increased drum material thickness to 7 gauge, doubled hammer hardness depth and a new style machined stress proof drive shaft. For more information about this and other Clipper products, please call your nearest Clipper Representative or call our Factory Direct, toll free (800) 248-8318.

Applications

- Debeard barley to improve test weight
- Break up alfalfa pods, grass clusters, flax balls, crested wheat, fescues, brome, and cassia bark
- De-awn bronco grass (in oats), dill seed, celery seed
- Polish tomato seed, remove mold from pepper balls, coffee beans and cassia (cinnamon) bark
- Clip oats to remove excess fibers, increase test weight, enhance appearance and cleaning ability
- Break up Spelt Clumps
- Hull "whitecaps" in wheat

Options

- Inverter Duty Motors and Drives.
- Various Motor and Voltage Capabilities

Features

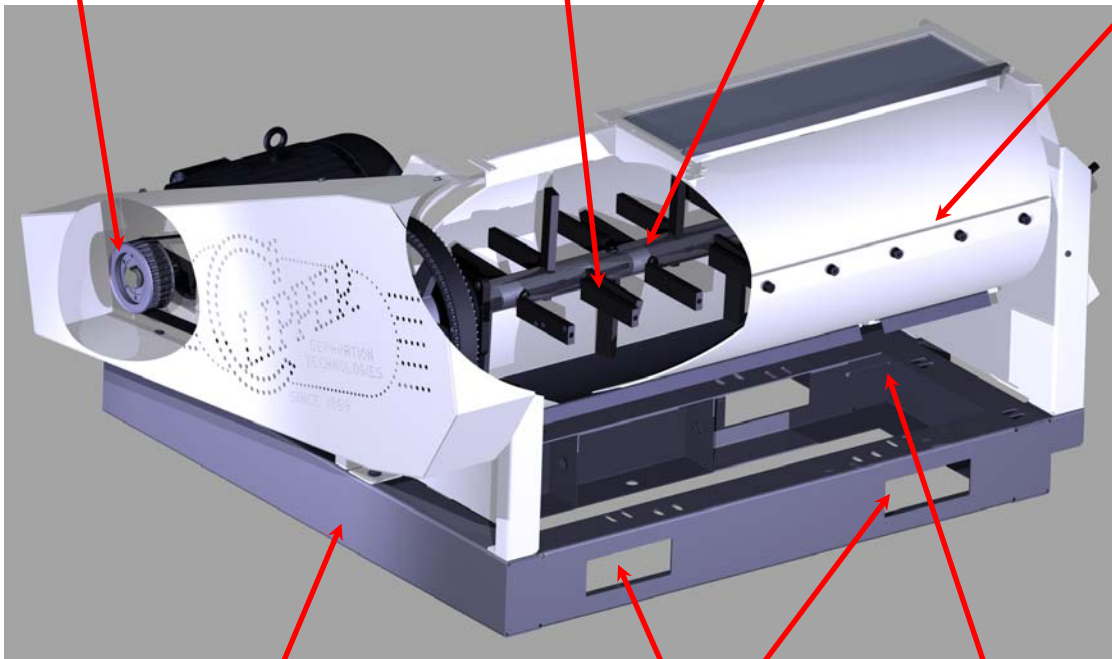
- 1 Heavy duty seven gauge steel housing
- 2 New style machined stress proof drive shaft
- 3 Interchangeable heat treated hammers with increased hardness depth.
- 4 Two bottom cleanout doors for ease of cleanout along with one top inspection door
- 5 Various size motors and voltages with a HTD belt drive. Variable speed option available
- 6 New style heavy duty base with lift slots for handling by forklift
- 7 Discharge gate with two adjustable weights (not Shown)

3. Hardened Hammer

5. Various Motor Drives
and Bases Available

2. Heavy Duty Shaft

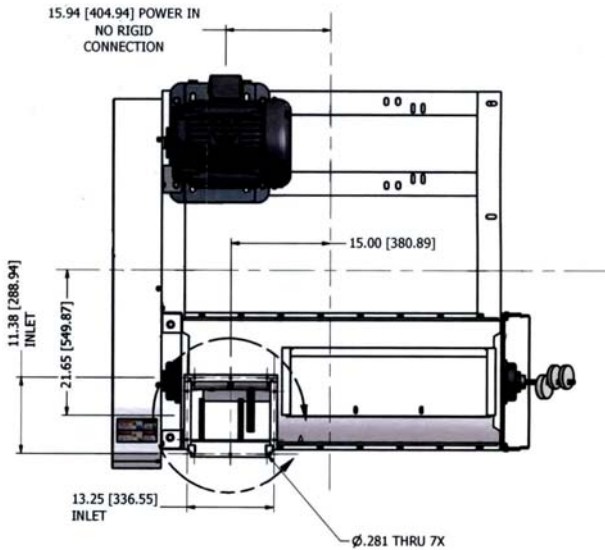
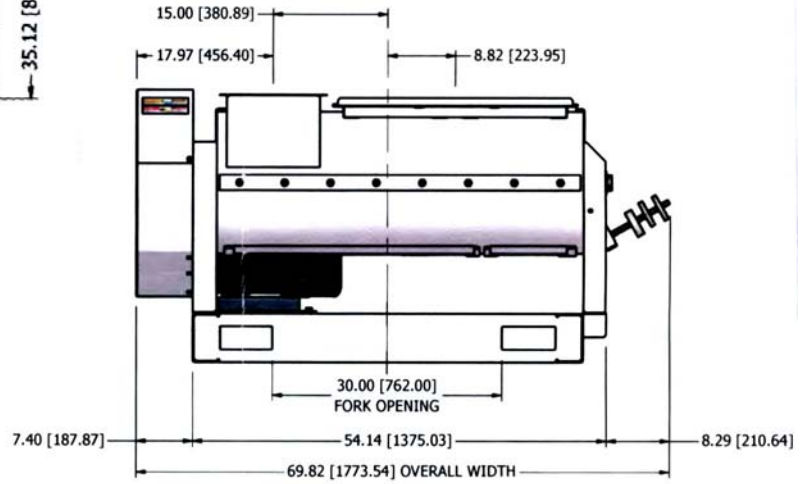
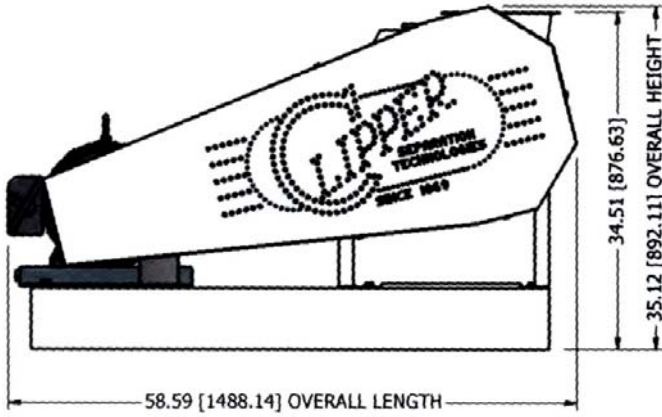
1. Heavy Duty Housing



Forklift Movable

6. Heavy Duty Base

4. Cleanout Doors



Must allow a minimum of 60" from one side of machine for removal of hammer shaft. If no space is allowed hammer shaft may be extremely difficult to remove. Hammers must be removed from shaft before shaft removal.

